

BALDOR® • RELIANCE

Product Information Packet

M3546

1HP, 1725RPM, 3PH, 60HZ, 56, 3426M, TEFC, F1, N

| Part Detail | | | | | | | |
|-------------|------|----------------|-------|-------------|----------|---------------|------------|
| Revision: | M | Status: | PRD/A | Change #: | | Proprietary: | No |
| Type: | AC | Prod. Type: | 3426M | Elec. Spec: | 34WGX269 | CD Diagram: | CD0005 |
| Enclosure: | TEFC | Mfg Plant: | | Mech. Spec: | 34G796 | Layout: | 34LYG796 |
| Frame: | 56 | Mounting: | F1 | Poles: | 04 | Created Date: | |
| Base: | RG | Rotation: | R | Insulation: | B | Eff. Date: | 12-17-2014 |
| Leads: | 9#18 | | | | | Replaced By: | |
| Literature: | | Elec. Diagram: | | | | | |

| | | | | | | | |
|--------------------------|--------------|----------------|------|-----|---|-------|---|
| Nameplate NP1256L | | | | | | | |
| CAT.NO. | M3546 | | | | | | |
| SPEC. | 34G796X269 | | | | | | |
| HP | 1 | | | | | | |
| VOLTS | 208-230/460 | | | | | | |
| AMP | 3.7-3.4/1.7 | | | | | | |
| RPM | 1725 | | | | | | |
| FRAME | 56 | HZ | 60 | PH | 3 | | |
| SER.F. | 1.15 | CODE | M | DES | B | CLASS | B |
| NEMA-NOM-EFF | 78.5 | PF | 71 | | | | |
| RATING | 40C AMB-CONT | | | | | | |
| CC | | USABLE AT 208V | 3.7 | | | | |
| DE | 6203 | ODE | 6203 | | | | |
| ENCL | TEFC | SN | | | | | |
| | | | | | | | |

AC Induction Motor Performance Data
Record # 7286 - Typical performance - not guaranteed values

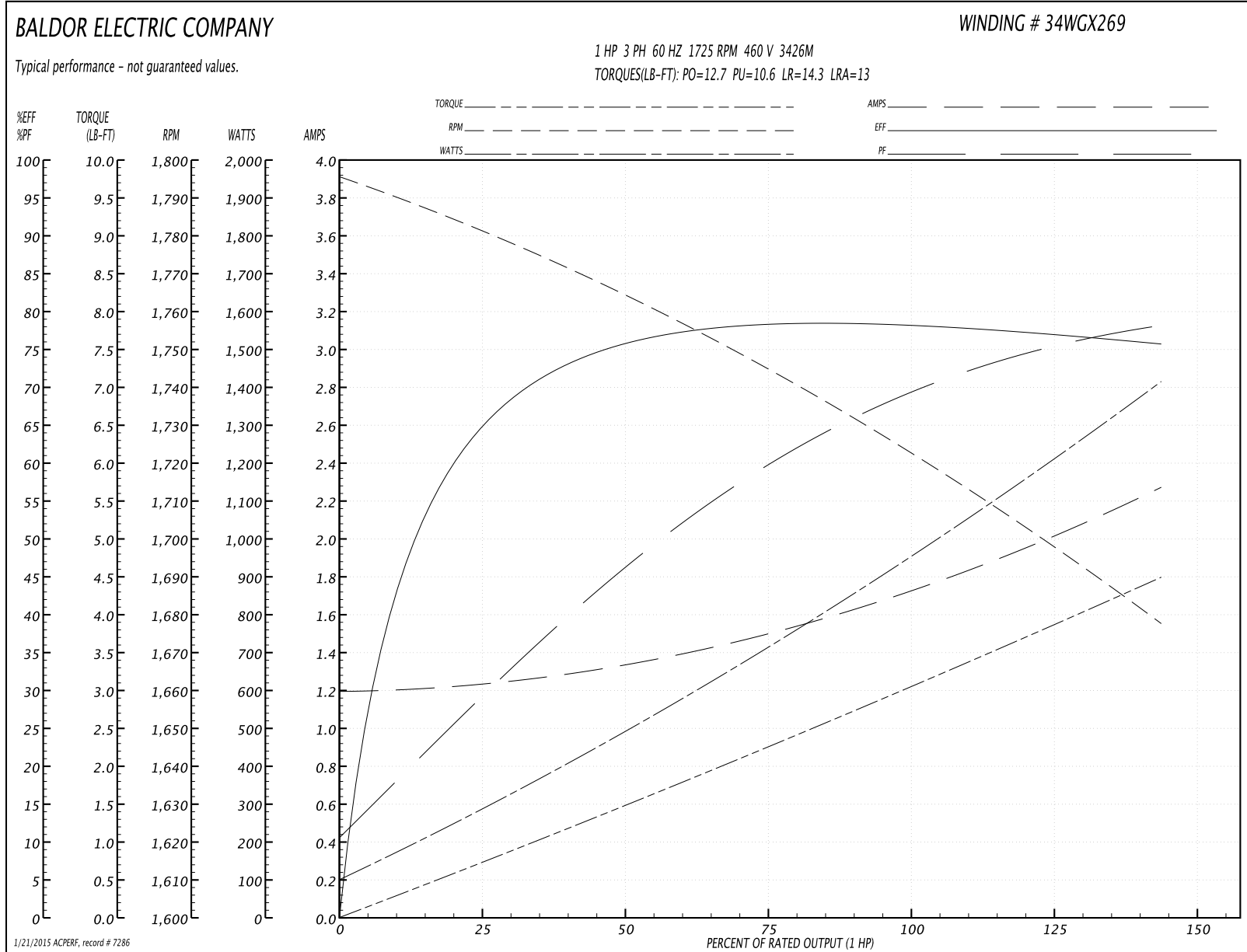
| | | |
|-------------------------------|--------------------|------------------------|
| Winding: 34WGX269-R001 | Type: 3426M | Enclosure: TEFC |
|-------------------------------|--------------------|------------------------|

| Nameplate Data | | | | 460 V, 60 Hz: High Voltage Connection | |
|-----------------------|--------------|--------------|----|--|------------------------|
| Rated Output (HP) | 1 | | | Full Load Torque | 3 LB-FT |
| Volts | 208-230/460 | | | Start Configuration | direct on line |
| Full Load Amps | 3.7-3.4/1.7 | | | Breakdown Torque | 12.7 LB-FT |
| R.P.M. | 1725 | | | Pull-up Torque | 10.6 LB-FT |
| Hz | 60 | Phase | 3 | Locked-rotor Torque | 14.3 LB-FT |
| NEMA Design Code | B | KVA Code | M | Starting Current | 13 A |
| Service Factor (S.F.) | 1.15 | | | No-load Current | 1.2 A |
| NEMA Nom. Eff. | 78.5 | Power Factor | 71 | Line-line Res. @ 25°C | 13.2 Ω |
| Rating - Duty | 40C AMB-CONT | | | Temp. Rise @ Rated Load | 79°C |
| S.F. Amps | | | | Temp. Rise @ S.F. Load | 94°C |
| | | | | Rotor inertia | 0.0619 LF ² |

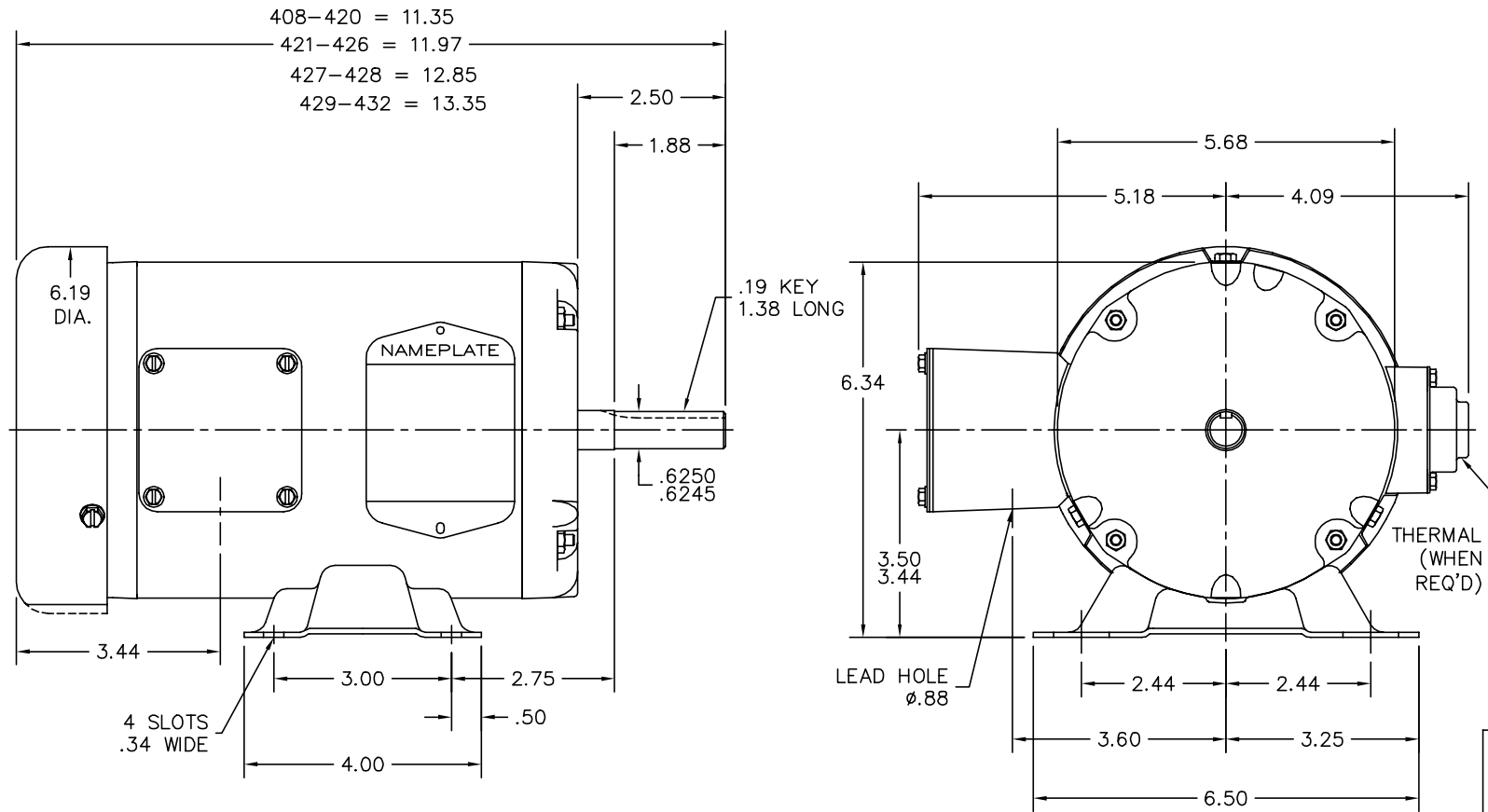
Load Characteristics 460 V, 60 Hz, 1 HP

| % of Rated Load | 25 | 50 | 75 | 100 | 125 | 150 | S.F. |
|-----------------|------|------|------|------|------|------|------|
| Power Factor | 30 | 47 | 60 | 68 | 75 | 79 | 72 |
| Efficiency | 63.9 | 75.5 | 78.3 | 78.6 | 77.4 | 75.5 | 77.9 |
| Speed | 1781 | 1763 | 1745 | 1725 | 1702 | 1677 | 1711 |
| Line amperes | 1.23 | 1.33 | 1.5 | 1.72 | 1.97 | 2.27 | 1.87 |

Performance Graph at 460V, 60Hz, 1.0HP Typical performance - Not guaranteed values



34LYG796



CUSTOMER IS RESPONSIBLE FOR DETERMINING THAT BALDOR'S PRODUCT WILL PERFORM SUITABLY IN THE INTENDED APPLICATION.

| | | |
|---|------------------------------|-------------------|
| REV. DESC: REV TO ADD BRGS, ENDTURNS, ETC | | |
| REV. LTR: D | VERSION: 03 | TDR: 000000883457 |
| FILE: \AAA\00019\124 | REVISED: 09:25:17 12/15/2014 | BY: ENBENBO |
| MTL: - | | |

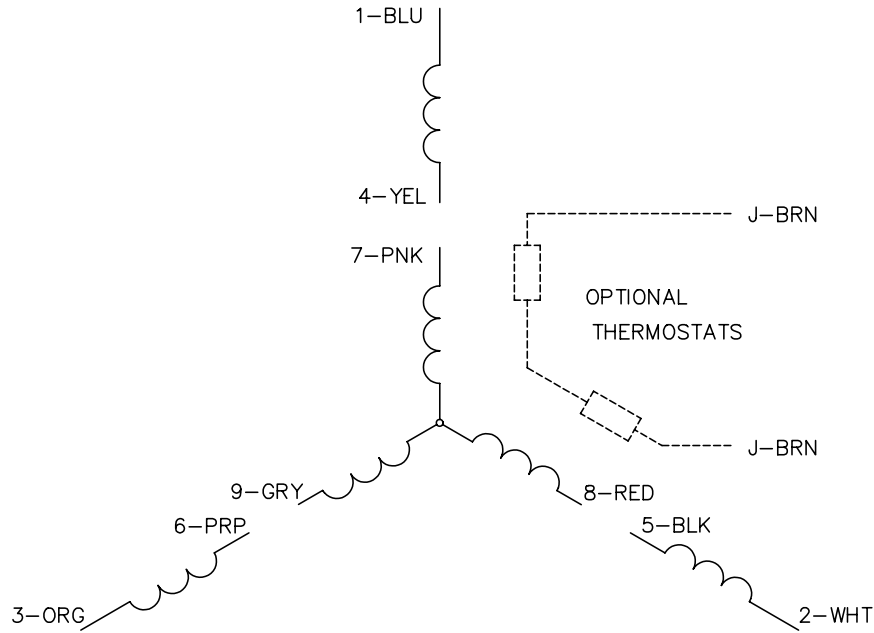
BALDOR

HORZ 34M NEMA 56 TEFC W/SPL STACKING

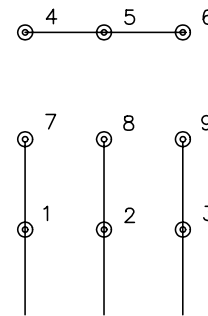
SH 1 of 1

34LYG796

CD0005

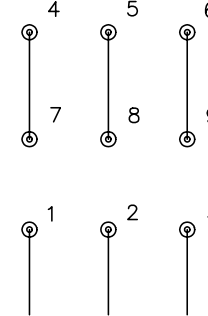


LOW VOLTAGE
(2Y)



LINE

HIGH VOLTAGE
(1Y)



LINE

NOTES:

1. INTERCHANGE ANY TWO LINE LEADS TO REVERSE ROTATION.
2. OPTIONAL THERMOSTATS ARE PROVIDED WHEN SPECIFIED.
3. ACTUAL NUMBER OF INTERNAL PARALLEL CIRCUITS MAY BE A MULTIPLE OF THOSE SHOWN ABOVE.
4. LEAD COLORS ARE OPTIONAL. LEADS MUST ALWAYS BE NUMBERED AS SHOWN.

| | | | |
|---|---------|-------------------------|--------------|
| REV. DESC: REVISE TO SHOW OPTIONAL COLORS | | | |
| REV. LTR: E | BY: JLP | REVISED: 01/19/99 10:15 | TDR: 0171435 |
| 9000D | | FILE: AAA00005140 | MDL: - |
| | | MTL: - | |

BALDOR ELECTRIC Co.

3PH, DV, 9 LEADS

CD0005