

BALDOR® • *RELIANCE*

Product Information Packet

M3555

2HP,3450RPM,3PH,60HZ,56H,3428M,TEFC,F1

Part Detail							
Revision:	G	Status:	PRD/A	Change #:		Proprietary:	No
Type:	AC	Prod. Type:	3428M	Elec. Spec:	34WG0284	CD Diagram:	CD0005
Enclosure:	TEFC	Mfg Plant:		Mech. Spec:	34J153	Layout:	34LYJ153
Frame:	56H	Mounting:	F1	Poles:	02	Created Date:	
Base:	RG	Rotation:	R	Insulation:	B	Eff. Date:	08-27-2014
Leads:	9#18					Replaced By:	
Literature:		Elec. Diagram:					

Nameplate NP1256L									
CAT.NO.	M3555								
SPEC.	34J153-0284								
HP	2								
VOLTS	208-230/460								
AMP	6.2-5.8/2.9								
RPM	3450								
FRAME	56H	HZ	60	PH	3				
SER.F.	1.15	CODE	H	DES	B	CLASS	B		
NEMA-NOM-EFF	80	PF	80						
RATING	40C AMB-CONT								
CC	USABLE AT 208V		6.2						
DE	6203	ODE	6203						
ENCL	TEFC	SN							
	SFA 6.8-6.4/3.2								

AC Induction Motor Performance Data

Record # 18005 - Typical performance - not guaranteed values

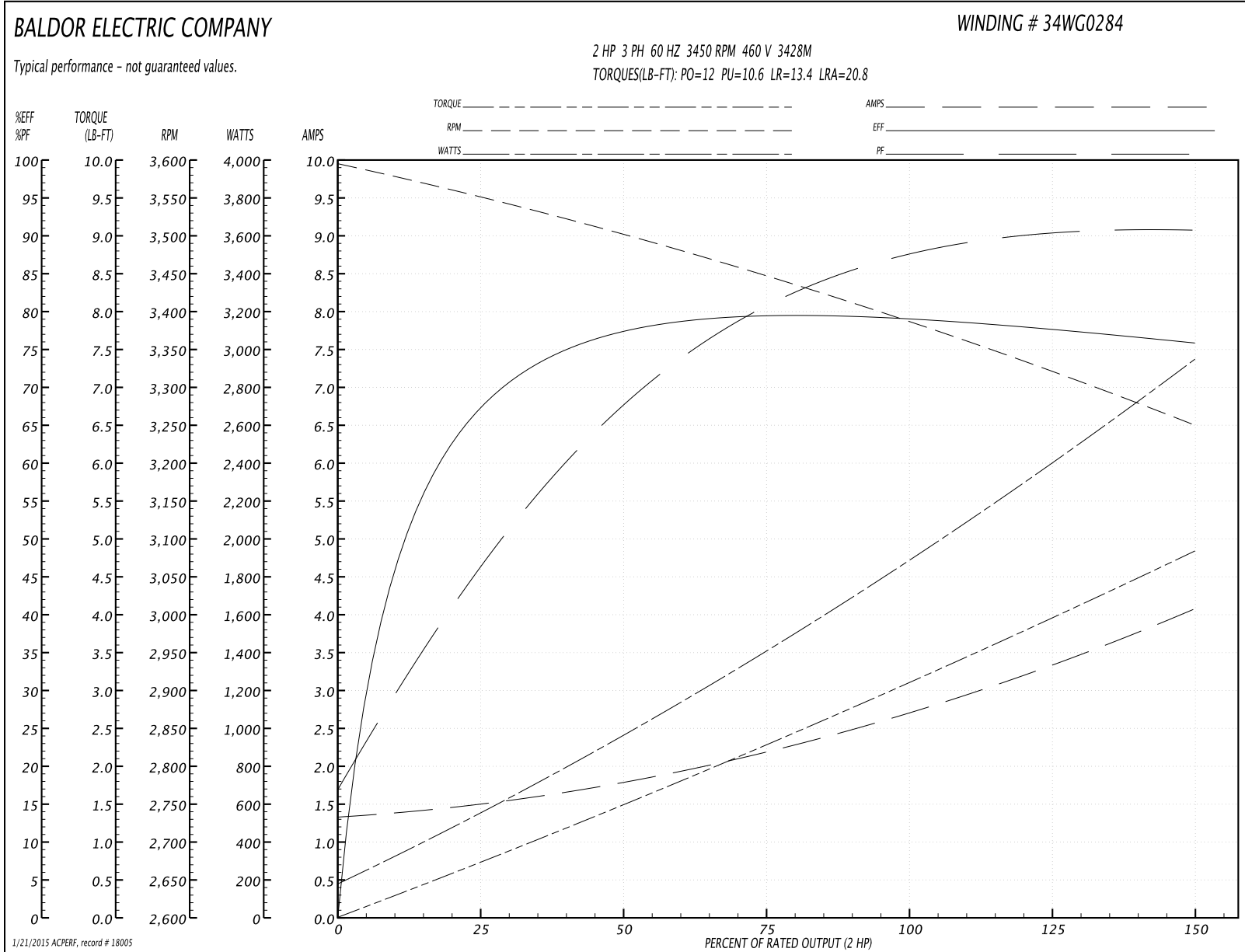
Winding: 34WG0284-R001	Type: 3428M	Enclosure: TEFC
-------------------------------	--------------------	------------------------

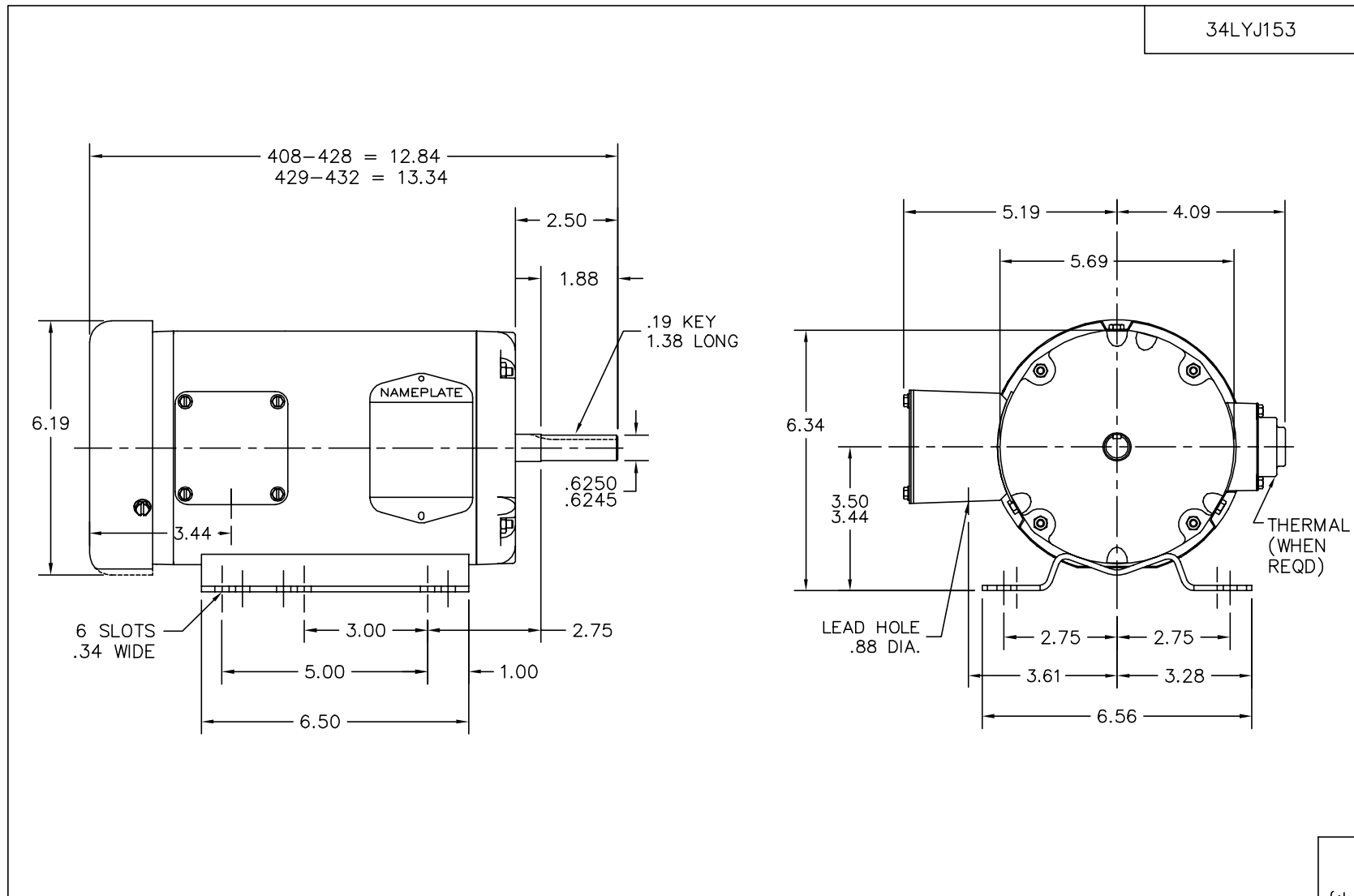
Nameplate Data				460 V, 60 Hz: High Voltage Connection	
Rated Output (HP)	2			Full Load Torque	3.11 LB-FT
Volts	208-230/460			Start Configuration	direct on line
Full Load Amps	6.2-5.8/2.9			Breakdown Torque	12 LB-FT
R.P.M.	3450			Pull-up Torque	10.6 LB-FT
Hz	60	Phase	3	Locked-rotor Torque	13.4 LB-FT
NEMA Design Code	B	KVA Code	H	Starting Current	20.8 A
Service Factor (S.F.)	1.15			No-load Current	1.35 A
NEMA Nom. Eff.	80	Power Factor	80	Line-line Res. @ 25°C	7.39 Ω
Rating - Duty	40C AMB-CONT			Temp. Rise @ Rated Load	85°C
S.F. Amps	6.8-6.4/3.2			Temp. Rise @ S.F. Load	103°C
				Rotor inertia	0.026 LF ²

Load Characteristics 460 V, 60 Hz, 2 HP

% of Rated Load	25	50	75	100	125	150	S.F.
Power Factor	48	68	80	87	90	91	89
Efficiency	67.7	77.5	80.1	80	78.5	76	79.1
Speed	3547	3502	3447	3389	3324	3247	3350
Line amperes	1.47	1.76	2.21	2.72	3.34	4.07	3.09

Performance Graph at 460V, 60Hz, 2.0HP Typical performance - Not guaranteed values





CUSTOMER IS RESPONSIBLE FOR DETERMINING THAT MOTOR PERFORMANCE IS SUITABLE IN THE APPLICATION.

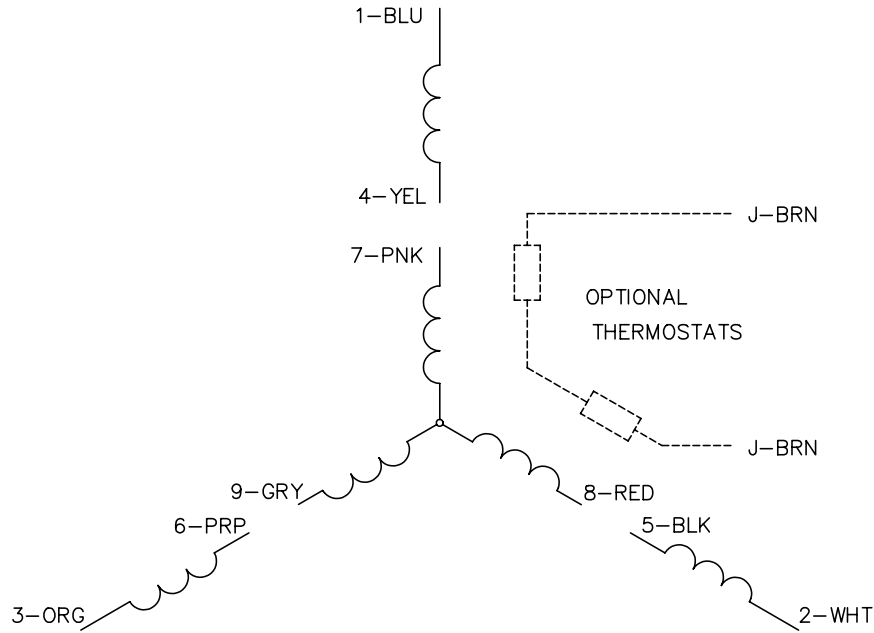
REV. DESC: UPDATED KBOX & LID			
REV. LTR: B	VERSION: 02	TDR: 000000387431	
	FILE: \AAA\00085\648	REVISED: 13:48:08 02/01/2006	
	MTL: -	BY: ENROSTO	

BALDOR ELECTRIC Co.

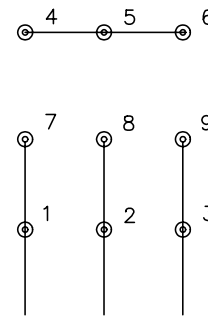
STD HORZ 34M NEMA 56/56H TEFC

34LYJ153

CD0005

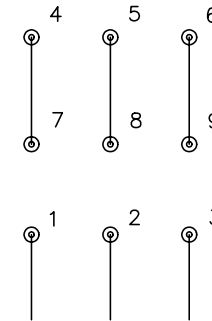


LOW VOLTAGE
(2Y)



LINE

HIGH VOLTAGE
(1Y)



LINE

NOTES:

1. INTERCHANGE ANY TWO LINE LEADS TO REVERSE ROTATION.
2. OPTIONAL THERMOSTATS ARE PROVIDED WHEN SPECIFIED.
3. ACTUAL NUMBER OF INTERNAL PARALLEL CIRCUITS MAY BE A MULTIPLE OF THOSE SHOWN ABOVE.
4. LEAD COLORS ARE OPTIONAL. LEADS MUST ALWAYS BE NUMBERED AS SHOWN.

REV. DESC: REVISE TO SHOW OPTIONAL COLORS

REV. LTR: E BY: JLP

REVISED: 01/19/99 10:15

TDR: 0171435

90000

FILE: AAA00005140

MDL: -

MTL: -

BALDOR ELECTRIC Co.

3PH, DV, 9 LEADS

CD0005