

# **BALDOR® • RELIANCE**

## **Product Information Packet**

### **M3556**

**1HP,1155RPM,3PH,60HZ,56H,3520M,TEFC,F1,N**

Part Detail							
Revision:	J	Status:	PRD/A	Change #:		Proprietary:	No
Type:	AC	Prod. Type:	3520M	Elec. Spec:	35WGN025	CD Diagram:	CD0005
Enclosure:	TEFC	Mfg Plant:		Mech. Spec:	35H876	Layout:	35LYH876
Frame:	56H	Mounting:	F1	Poles:	06	Created Date:	01-05-2011
Base:	RG	Rotation:	R	Insulation:	B	Eff. Date:	09-23-2014
Leads:	9#18					Replaced By:	
Literature:		Elec. Diagram:					

<b>Nameplate NP1256L</b>							
CAT.NO.	M3556						
SPEC.	35H876N025G1						
HP	1						
VOLTS	208-230/460						
AMP	3.8/1.9						
RPM	1155						
FRAME	56H	HZ	60	PH	3		
SER.F.	1.15	CODE	K	DES	B	CLASS	B
NEMA-NOM-EFF	78.5	PF	63				
RATING	40C AMB-CONT						
CC	USABLE AT 208V						
DE	6205	ODE	6203				
ENCL	TEFC	SN					

**AC Induction Motor Performance Data**

Record # 36534 - Typical performance - not guaranteed values

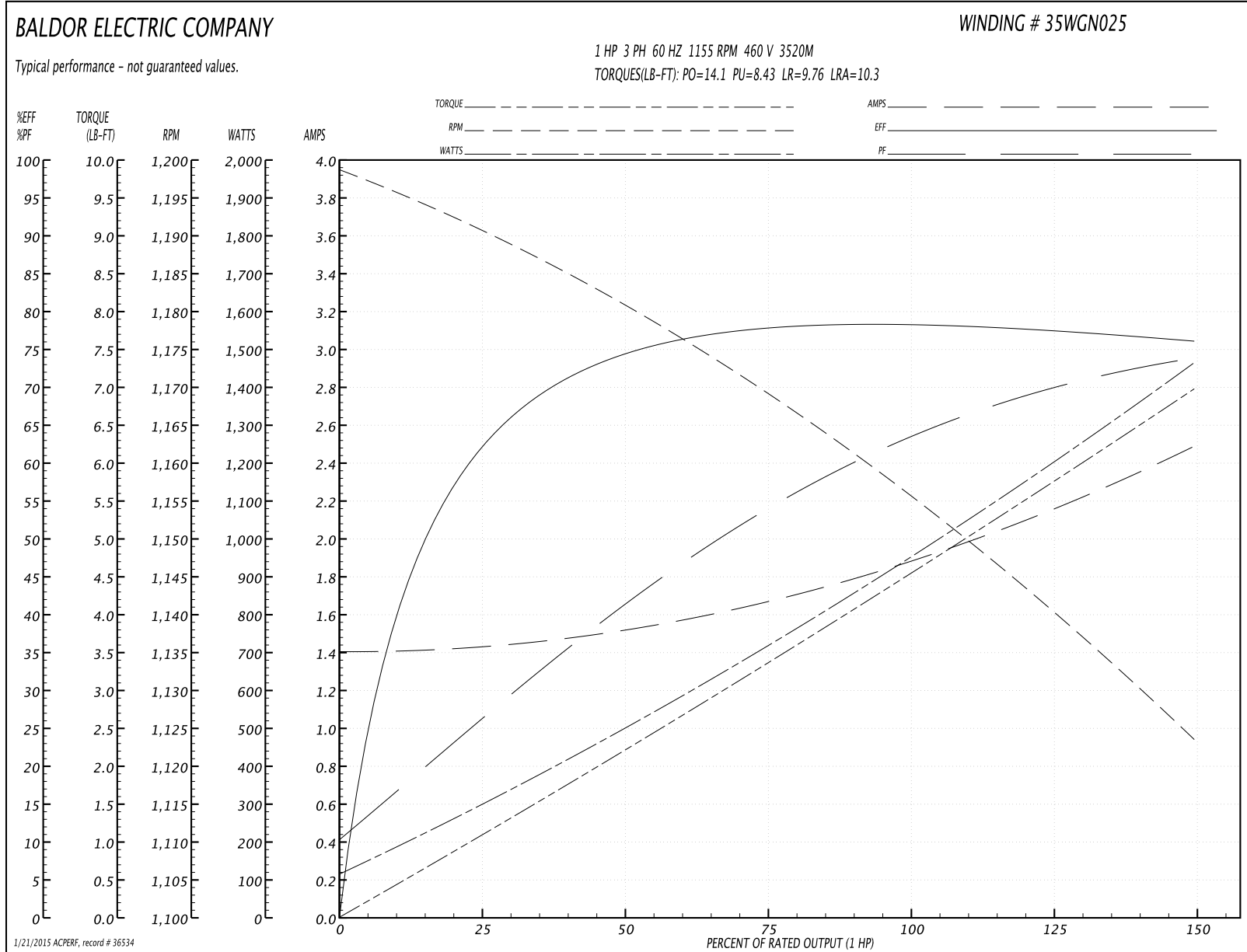
<b>Winding:</b> 35WGN025-R003	<b>Type:</b> 3520M	<b>Enclosure:</b> TEFC
-------------------------------	--------------------	------------------------

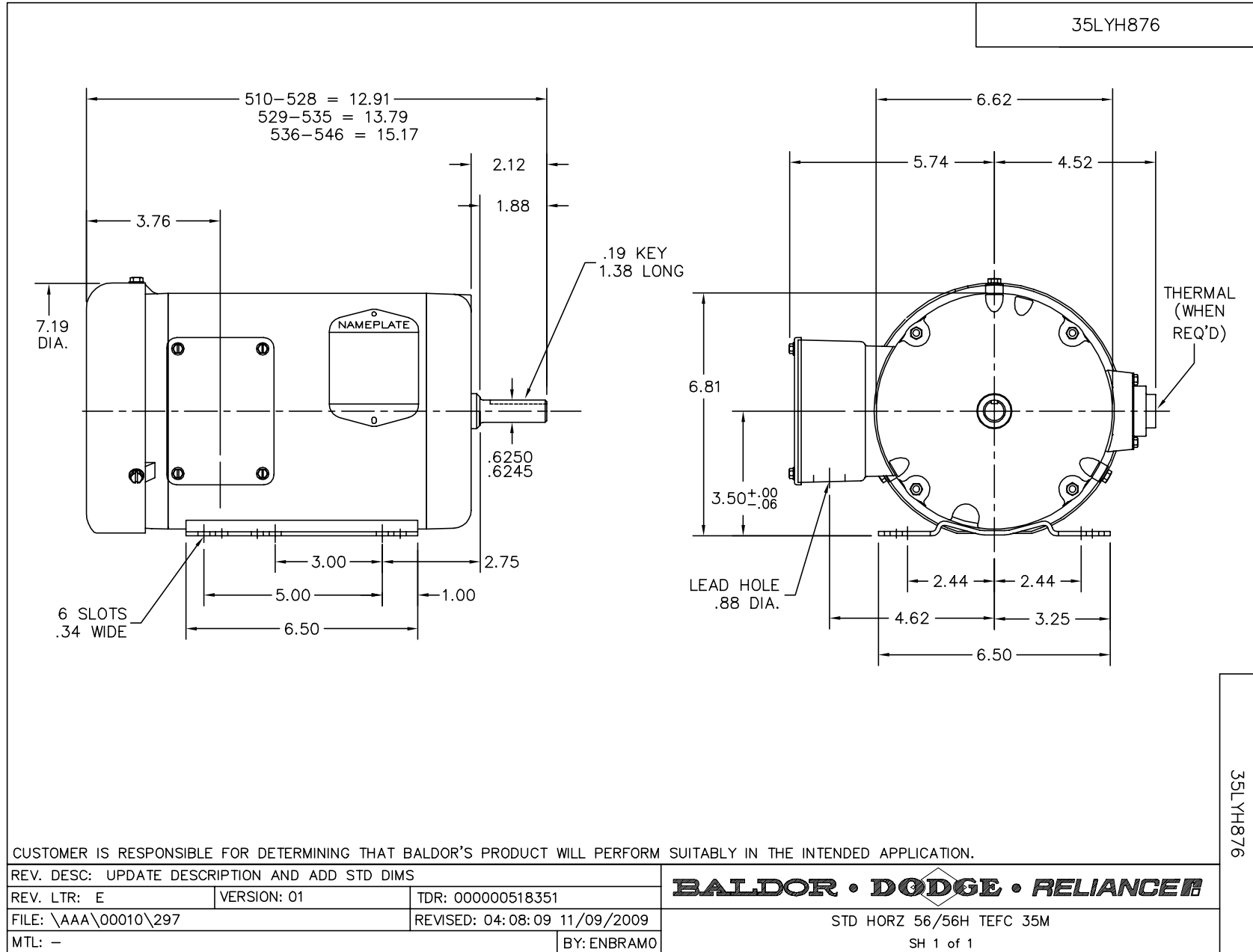
Nameplate Data				460 V, 60 Hz: High Voltage Connection	
Rated Output (HP)	1			Full Load Torque	4.52 LB-FT
Volts	208-230/460			Start Configuration	direct on line
Full Load Amps	3.8/1.9			Breakdown Torque	14.1 LB-FT
R.P.M.	1155			Pull-up Torque	8.43 LB-FT
Hz	60	Phase	3	Locked-rotor Torque	9.76 LB-FT
NEMA Design Code	B	KVA Code	K	Starting Current	10.3 A
Service Factor (S.F.)	1.15			No-load Current	1.41 A
NEMA Nom. Eff.	78.5	Power Factor	63	Line-line Res. @ 25°C	19.8 Ω
Rating - Duty	40C AMB-CONT			Temp. Rise @ Rated Load	67°C
S.F. Amps				Temp. Rise @ S.F. Load	78°C
				Rotor inertia	0.119 LF <sup>2</sup>

Load Characteristics 460 V, 60 Hz, 1 HP

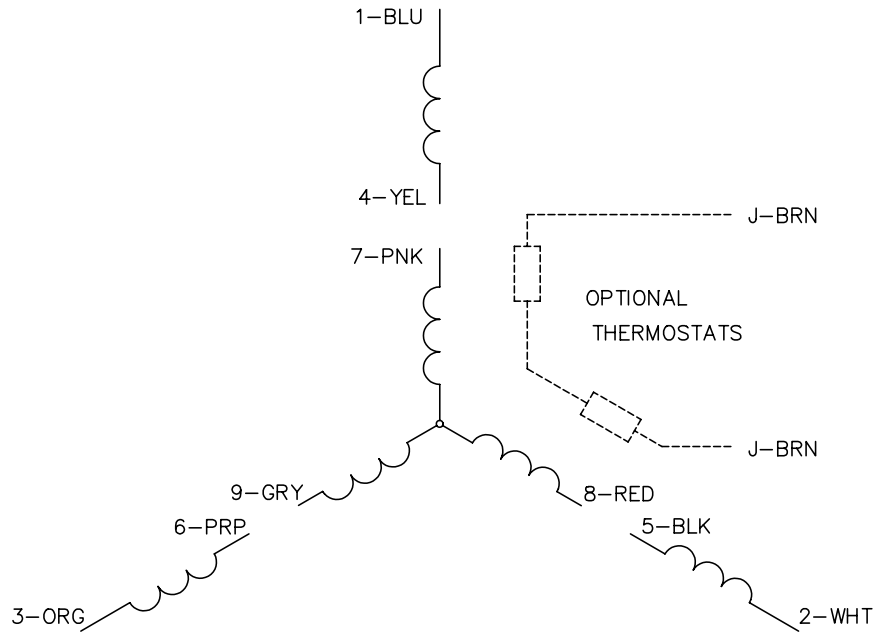
% of Rated Load	25	50	75	100	125	150	S.F.
Power Factor	27	42	54	63	70	74	67
Efficiency	61.5	73.7	77.7	78.6	77.9	75.9	78.2
Speed	1191	1180	1169	1157	1141	1123	1147
Line amperes	1.42	1.52	1.67	1.88	2.15	2.49	2.04

Performance Graph at 460V, 60Hz, 1.0HP Typical performance - Not guaranteed values

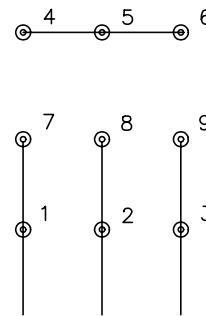




CD0005

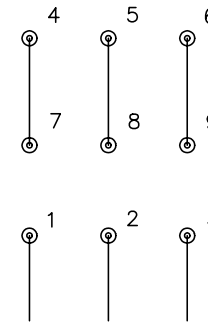


LOW VOLTAGE  
(2Y)



LINE

HIGH VOLTAGE  
(1Y)



LINE

NOTES:

1. INTERCHANGE ANY TWO LINE LEADS TO REVERSE ROTATION.
2. OPTIONAL THERMOSTATS ARE PROVIDED WHEN SPECIFIED.
3. ACTUAL NUMBER OF INTERNAL PARALLEL CIRCUITS MAY BE A MULTIPLE OF THOSE SHOWN ABOVE.
4. LEAD COLORS ARE OPTIONAL. LEADS MUST ALWAYS BE NUMBERED AS SHOWN.

REV. DESC: REVISE TO SHOW OPTIONAL COLORS			
REV. LTR: E	BY: JLP	REVISED: 01/19/99 10:15	TDR: 0171435
90000		FILE: AAA00005140	MDL: -
		MTL: -	

**BALDOR ELECTRIC Co.**

3PH, DV, 9 LEADS

CD0005