

BALDOR® • ***RELIANCE***

Product Information Packet

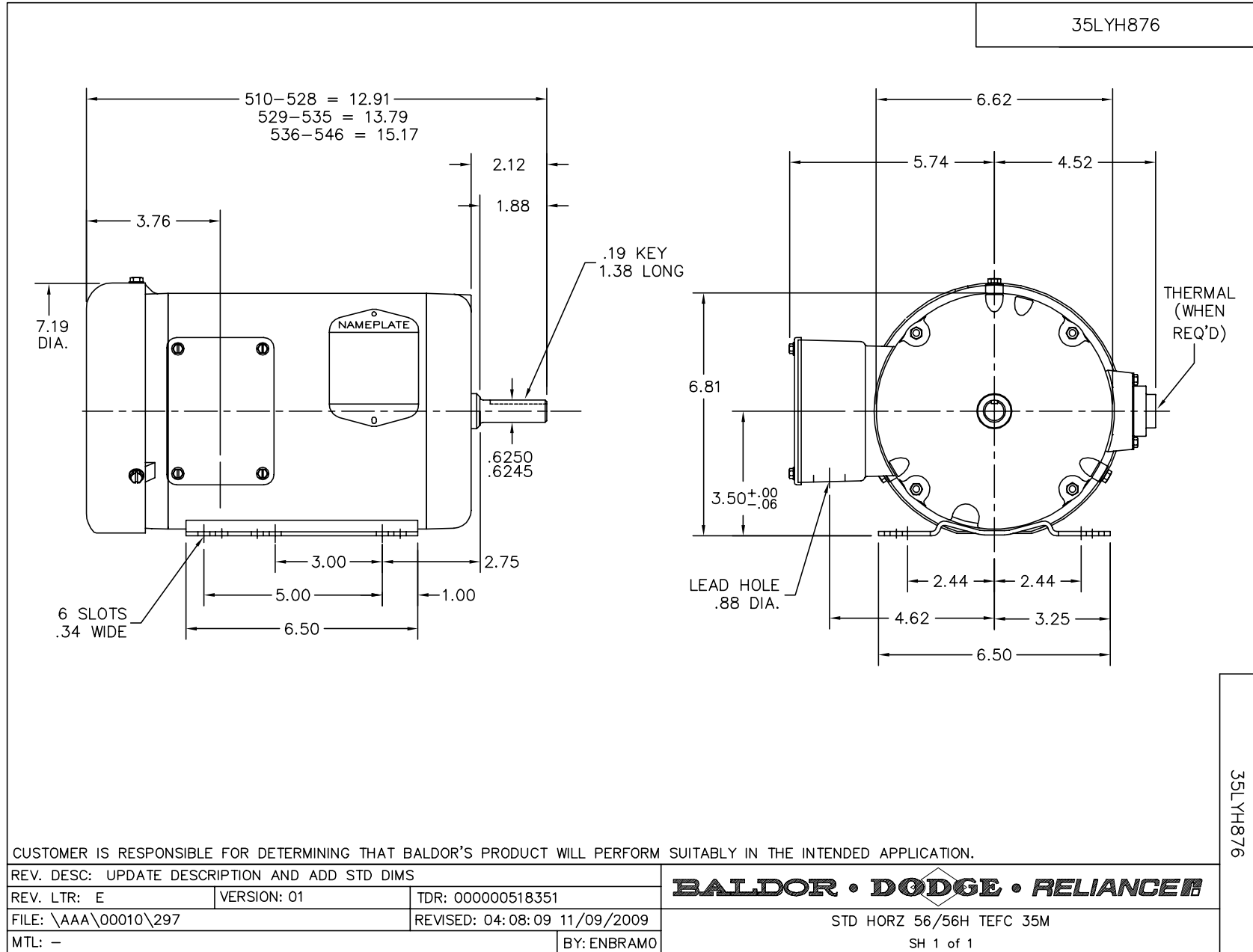
M3558

2HP,1735RPM,3PH,60HZ,56H,3523M,TEFC,F1,N

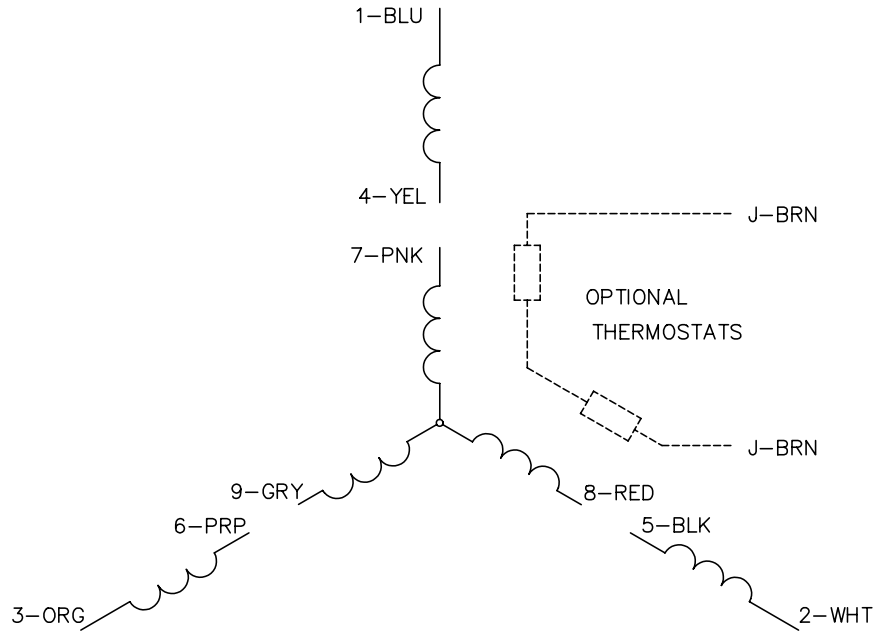
| Part Detail | | | | | | | |
|-------------|------|----------------|-------|-------------|----------|---------------|------------|
| Revision: | K | Status: | PRD/A | Change #: | | Proprietary: | No |
| Type: | AC | Prod. Type: | 3523M | Elec. Spec: | 35WGP805 | CD Diagram: | CD0005 |
| Enclosure: | TEFC | Mfg Plant: | | Mech. Spec: | 35H876 | Layout: | 35LYH876 |
| Frame: | 56H | Mounting: | F1 | Poles: | 04 | Created Date: | 07-13-2010 |
| Base: | RG | Rotation: | R | Insulation: | F | Eff. Date: | 09-23-2014 |
| Leads: | 9#18 | | | | | Replaced By: | |
| Literature: | | Elec. Diagram: | | | | | |

| | | | | | | | | | |
|--------------------------|----------------|------|------|-----|---|-------|---|--|--|
| Nameplate NP1256L | | | | | | | | | |
| CAT.NO. | M3558 | | | | | | | | |
| SPEC. | 35H876P805G1 | | | | | | | | |
| HP | 2 | | | | | | | | |
| VOLTS | 208-230/460 | | | | | | | | |
| AMP | 6.5-6/3 | | | | | | | | |
| RPM | 1735 | | | | | | | | |
| FRAME | 56H | HZ | 60 | PH | 3 | | | | |
| SER.F. | 1.15 | CODE | L | DES | B | CLASS | F | | |
| NEMA-NOM-EFF | 82.5 | PF | 76 | | | | | | |
| RATING | 40C AMB-CONT | | | | | | | | |
| CC | USABLE AT 208V | | | | | | | | |
| DE | 6205 | ODE | 6203 | | | | | | |
| ENCL | TEFC | SN | | | | | | | |
| | | | | | | | | | |

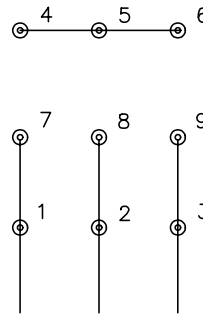
No performance data has been
assigned to this product.



CD0005

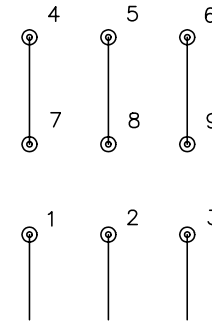


LOW VOLTAGE
(2Y)



LINE

HIGH VOLTAGE
(1Y)



LINE

NOTES:

1. INTERCHANGE ANY TWO LINE LEADS TO REVERSE ROTATION.
2. OPTIONAL THERMOSTATS ARE PROVIDED WHEN SPECIFIED.
3. ACTUAL NUMBER OF INTERNAL PARALLEL CIRCUITS MAY BE A MULTIPLE OF THOSE SHOWN ABOVE.
4. LEAD COLORS ARE OPTIONAL. LEADS MUST ALWAYS BE NUMBERED AS SHOWN.

| | | | |
|---|---------|-------------------------|--------------|
| REV. DESC: REVISE TO SHOW OPTIONAL COLORS | | | |
| REV. LTR: E | BY: JLP | REVISED: 01/19/99 10:15 | TDR: 0171435 |
| 900000 | | FILE: AAA00005140 | MDL: - |
| | | MTL: - | |

BALDOR ELECTRIC Co.

3PH, DV, 9 LEADS

CD0005