

# **BALDOR**® • *RELIANCE*

## **Product Information Packet**

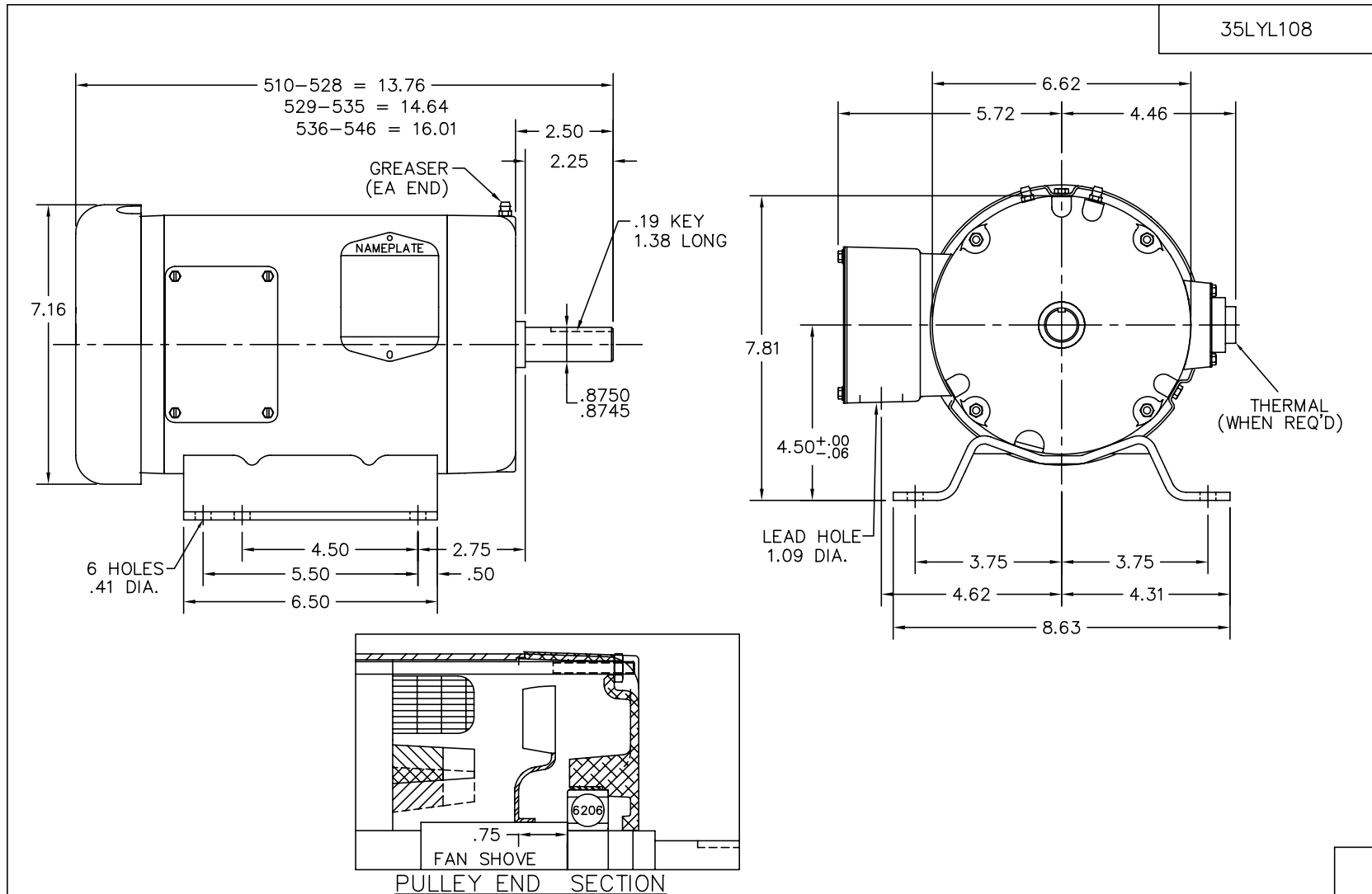
# **M3600**

**.5HP,850RPM,3PH,60HZ,182,3522M,TEFC,F1,N**

Part Detail							
Revision:	A	Status:	PRD/A	Change #:		Proprietary:	No
Type:	AC	Prod. Type:	3522M	Elec. Spec:	35WGN043	CD Diagram:	CD0005
Enclosure:	TEFC	Mfg Plant:		Mech. Spec:	35L108	Layout:	35LYL108
Frame:	182	Mounting:	F1	Poles:	08	Created Date:	06-01-2011
Base:	RG	Rotation:	R	Insulation:	B	Eff. Date:	07-18-2011
Leads:	9#18					Replaced By:	
Literature:		Elec. Diagram:					

<b>Nameplate NP1256L</b>							
CAT.NO.	M3600						
SPEC.	35L108N043G1						
HP	.5						
VOLTS	208-230/460						
AMP	2.4-2.5/1.25						
RPM	850						
FRAME	182	HZ	60	PH	3		
SER.F.	1.15	CODE	K	DES	B	CLASS	B
NEMA-NOM-EFF	70	PF	56				
RATING	40C AMB-CONT						
CC	USABLE AT 208V						
DE	6206	ODE	6203				
ENCL	TEFC	SN					

No performance data has been  
assigned to this product.

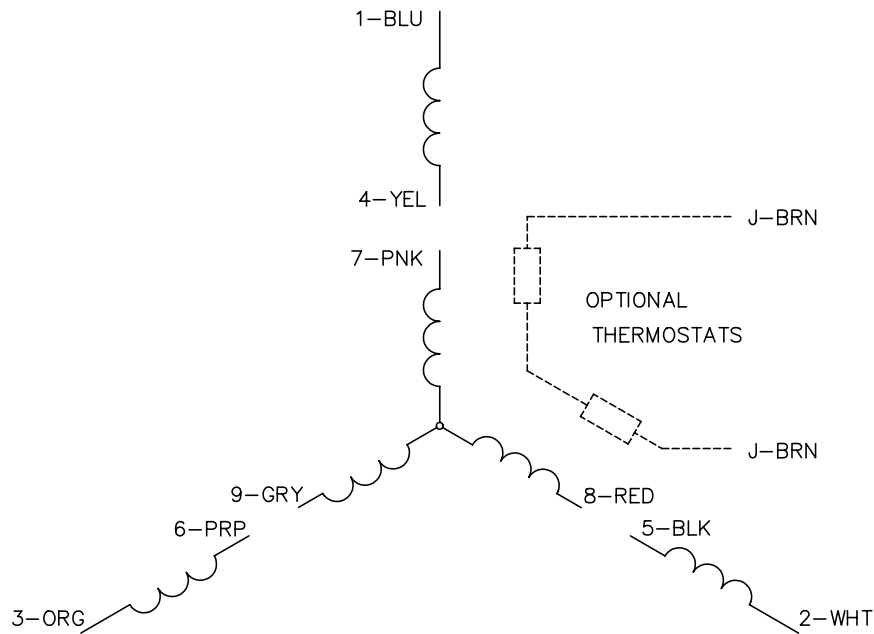


PULLEY END SECTION

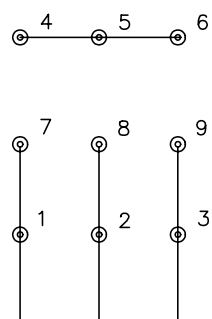
CUST. NAME		CUST. P.O.		CERTIFIED BY		MODEL		INSUL		AMB							
H.P.		MTG		TYPE		R.P.M.		VOLTS		ENCL							
PHASE		FREQ		FRAME		<h1>BALDOR ELECTRIC Co.</h1> <p>STD HORZ 182-4 TEFC 35M</p>											
REV. DESC: SHAFT MATERIAL CHANGE, SEE EC09 FOR MORE																	
REV. LTR: F		BY: JED		REVISED: 08/17/99 7:21								TDR: 0188121					
80171792		FILE: AAA00013542		MDL: -													
MTL: -																	

35LYL108

CD0005

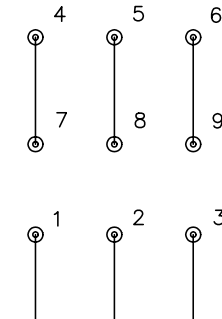


LOW VOLTAGE (2Y)



LINE

HIGH VOLTAGE (1Y)



LINE

NOTES:

1. INTERCHANGE ANY TWO LINE LEADS TO REVERSE ROTATION.
2. OPTIONAL THERMOSTATS ARE PROVIDED WHEN SPECIFIED.
3. ACTUAL NUMBER OF INTERNAL PARALLEL CIRCUITS MAY BE A MULTIPLE OF THOSE SHOWN ABOVE.
4. LEAD COLORS ARE OPTIONAL. LEADS MUST ALWAYS BE NUMBERED AS SHOWN.

REV. DESC: REVISE TO SHOW OPTIONAL COLORS			
REV. LTR: E	BY: JLP	REVISED: 01/19/99 10:15	TDR: 0171435
90000		FILE: AAA00005140	MDL: -
		MTL: -	

**BALDOR ELECTRIC Co.**

3PH, DV, 9 LEADS

CD0005