

# **BALDOR**® • **RELIANCE**

## **Product Information Packet**

### **M3603**

**1HP,1750RPM,3PH,60HZ,182,3516M,TEFC,F1,N**

| Part Detail |      |                |       |             |          |               |            |
|-------------|------|----------------|-------|-------------|----------|---------------|------------|
| Revision:   | F    | Status:        | PRD/A | Change #:   |          | Proprietary:  | No         |
| Type:       | AC   | Prod. Type:    | 3516M | Elec. Spec: | 35WGP674 | CD Diagram:   | CD0005     |
| Enclosure:  | TEFC | Mfg Plant:     |       | Mech. Spec: | 35L108   | Layout:       | 35LYL108   |
| Frame:      | 182  | Mounting:      | F1    | Poles:      | 04       | Created Date: | 05-19-2010 |
| Base:       | RG   | Rotation:      | R     | Insulation: | F        | Eff. Date:    | 10-08-2013 |
| Leads:      | 9#18 |                |       |             |          | Replaced By:  |            |
| Literature: |      | Elec. Diagram: |       |             |          |               |            |

| Nameplate NP1256L |                |                |      |     |   |       |   |  |  |
|-------------------|----------------|----------------|------|-----|---|-------|---|--|--|
| CAT.NO.           | M3603          |                |      |     |   |       |   |  |  |
| SPEC.             | 35L108P674H1   |                |      |     |   |       |   |  |  |
| HP                | 1              |                |      |     |   |       |   |  |  |
| VOLTS             | 208-230/460    |                |      |     |   |       |   |  |  |
| AMP               | 3.38-3.12/1.56 |                |      |     |   |       |   |  |  |
| RPM               | 1750           |                |      |     |   |       |   |  |  |
| FRAME             | 182            | HZ             | 60   | PH  | 3 |       |   |  |  |
| SER.F.            | 1.15           | CODE           | M    | DES | B | CLASS | F |  |  |
| NEMA-NOM-EFF      | 82.5           | PF             | 73   |     |   |       |   |  |  |
| RATING            | 40C AMB-CONT   |                |      |     |   |       |   |  |  |
| CC                | 010A           | USABLE AT 208V |      |     |   |       |   |  |  |
| DE                | 6206           | ODE            | 6203 |     |   |       |   |  |  |
| ENCL              | TEFC           | SN             |      |     |   |       |   |  |  |
|                   |                |                |      |     |   |       |   |  |  |

**AC Induction Motor Performance Data**

Record # 25215 - Typical performance - not guaranteed values

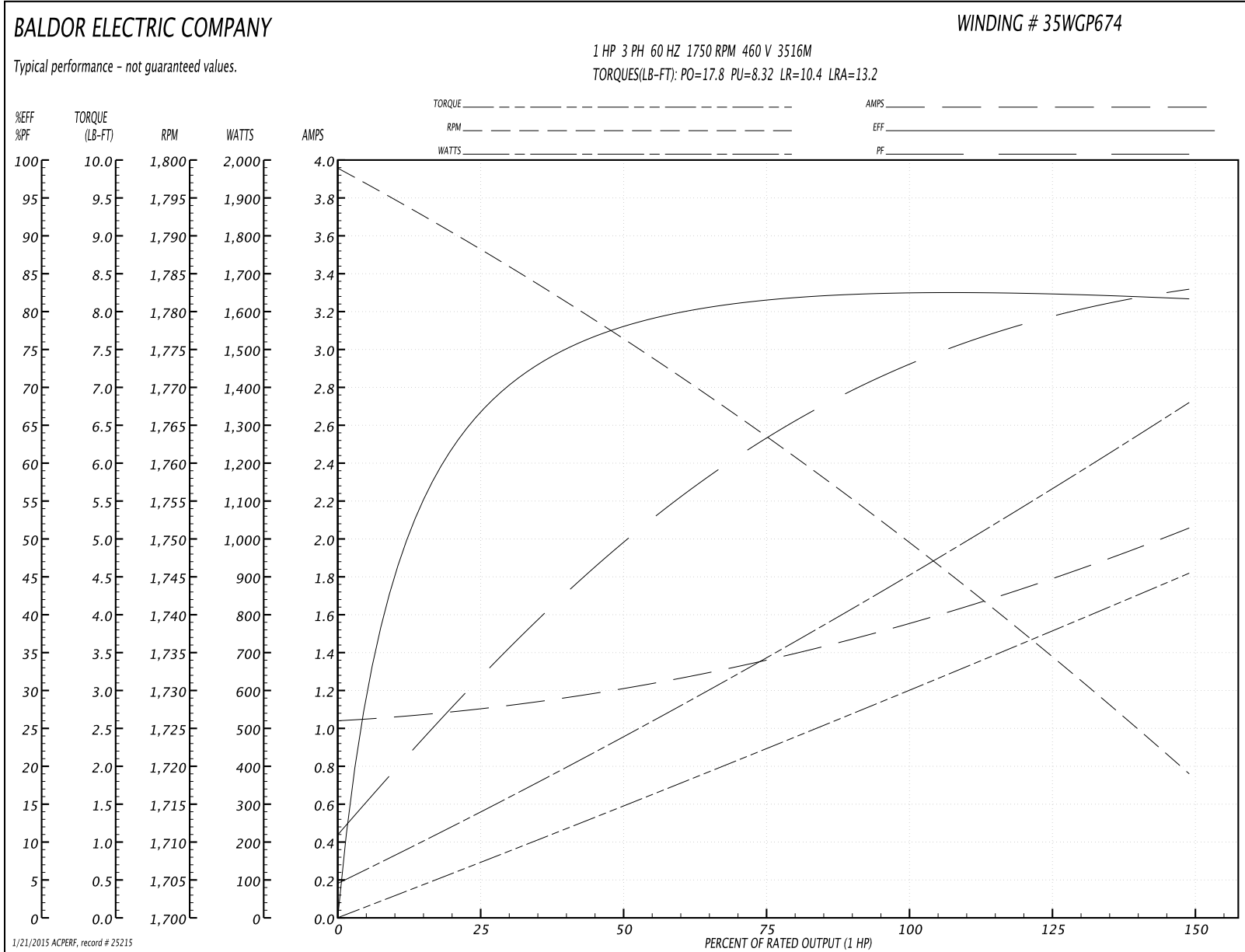
|                               |                    |                        |
|-------------------------------|--------------------|------------------------|
| <b>Winding:</b> 35WGP674-R001 | <b>Type:</b> 3516M | <b>Enclosure:</b> TEFC |
|-------------------------------|--------------------|------------------------|

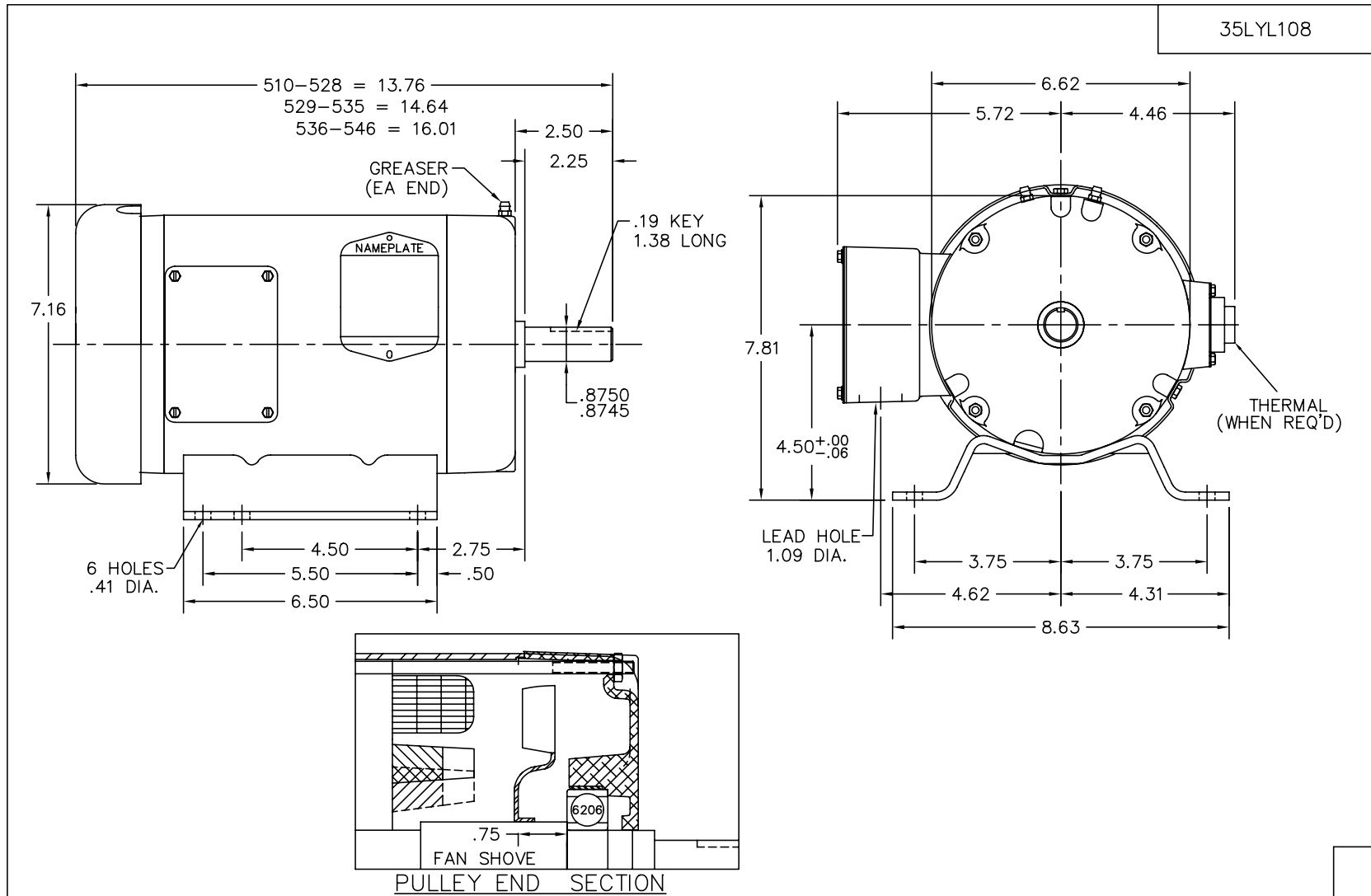
| Nameplate Data        |                |              |    | 460 V, 60 Hz:<br>High Voltage Connection |                        |
|-----------------------|----------------|--------------|----|--|------------------------|
| Rated Output (HP)     | 1              |              |    | Full Load Torque                         | 2.99 LB-FT             |
| Volts                 | 208-230/460    |              |    | Start Configuration                      | direct on line         |
| Full Load Amps        | 3.38-3.12/1.56 |              |    | Breakdown Torque                         | 17.8 LB-FT             |
| R.P.M.                | 1750           |              |    | Pull-up Torque                           | 8.32 LB-FT             |
| Hz                    | 60             | Phase        | 3  | Locked-rotor Torque                      | 10.4 LB-FT             |
| NEMA Design Code      | B              | KVA Code     | M  | Starting Current                         | 13.2 A                 |
| Service Factor (S.F.) | 1.15           |              |    | No-load Current                          | 1.04 A                 |
| NEMA Nom. Eff.        | 82.5           | Power Factor | 73 | Line-line Res. @ 25°C                    | 16.3 Ω                 |
| Rating - Duty         | 40C AMB-CONT   |              |    | Temp. Rise @ Rated Load                  | 41°C                   |
| S.F. Amps             |                |              |    | Temp. Rise @ S.F. Load                   | 50°C                   |
|                       |                |              |    | Rotor inertia                            | 0.0946 LF <sup>2</sup> |

Load Characteristics 460 V, 60 Hz, 1 HP

| % of Rated Load | 25   | 50   | 75   | 100  | 125  | 150  | S.F. |
|-----------------|------|------|------|------|------|------|------|
| Power Factor    | 32   | 50   | 63   | 73   | 79   | 83   | 77   |
| Efficiency      | 66.7 | 77.9 | 81.3 | 82.6 | 82.6 | 81.6 | 82.6 |
| Speed           | 1788 | 1776 | 1764 | 1750 | 1735 | 1719 | 1741 |
| Line amperes    | 1.11 | 1.2  | 1.36 | 1.56 | 1.77 | 2.06 | 1.69 |

Performance Graph at 460V, 60Hz, 1.0HP Typical performance - Not guaranteed values





|             |  |                   |  |                        |  |              |  |                     |  |                         |  |
|-------------|--|-------------------|--|------------------------|--|--------------|--|---------------------|--|-------------------------|--|
| CUST. NAME  |  | CUST. P.O.        |  | CERTIFIED BY           |  | MODEL        |  | INSUL               |  | AMB                     |  |
| H.P.        |  | MTG               |  | TYPE                   |  | R.P.M.       |  | VOLTS               |  | ENCL                    |  |
| REV. LTR: F |  | BY: JED           |  | REVISED: 08/17/99 7:21 |  | TDR: 0188121 |  | PHASE               |  | FREQ                    |  |
| 80171792    |  | FILE: AAA00013542 |  | MDL: -                 |  | MTL: -       |  | BALDOR ELECTRIC Co. |  | STD HORZ 182-4 TEFC 35M |  |

35LYL108

