

BALDOR® • **RELIANCE**

Product Information Packet

M3604

1HP,1155RPM,3PH,60HZ,184,3522M,TEFC,F1,N

Part Detail							
Revision:	F	Status:	PRD/A	Change #:		Proprietary:	No
Type:	AC	Prod. Type:	3522M	Elec. Spec:	35WGP255	CD Diagram:	CD0005
Enclosure:	TEFC	Mfg Plant:		Mech. Spec:	35L108	Layout:	35LYL108
Frame:	184	Mounting:	F1	Poles:	06	Created Date:	04-29-2010
Base:	RG	Rotation:	R	Insulation:	F	Eff. Date:	10-08-2013
Leads:	9#18					Replaced By:	
Literature:		Elec. Diagram:					

Nameplate NP1256L									
CAT.NO.	M3604								
SPEC.	35L108P255H1								
HP	1								
VOLTS	208-230/460								
AMP	3.9-3.64/1.82								
RPM	1155								
FRAME	184	HZ	60	PH	3				
SER.F.	1.15	CODE	K	DES	B	CLASS	F		
NEMA-NOM-EFF	80	PF	63						
RATING	40C AMB-CONT								
CC	010A	USABLE AT 208V							
DE	6206	ODE	6203						
ENCL	TEFC	SN							

AC Induction Motor Performance Data

Record # 22007 - Typical performance - not guaranteed values

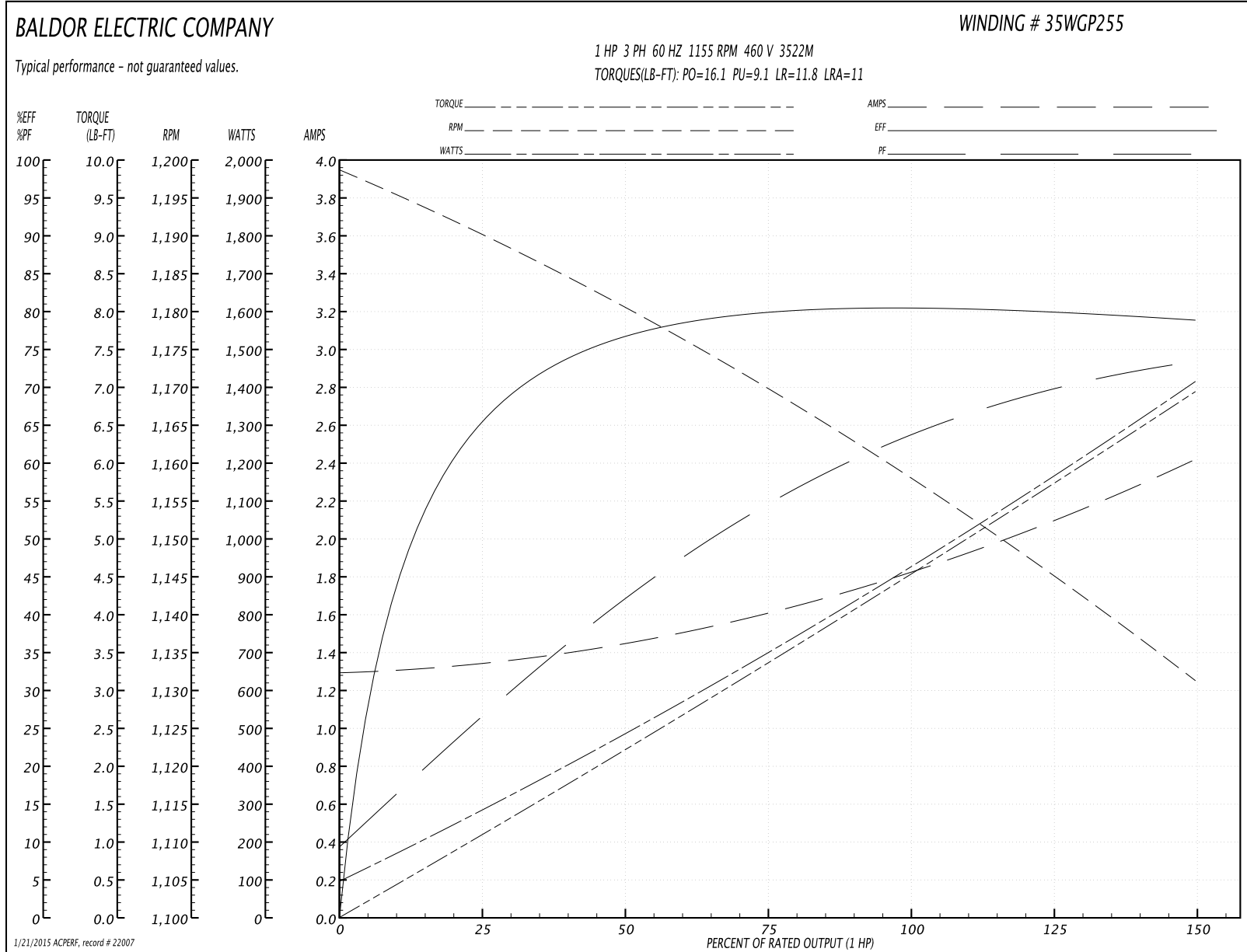
Winding: 35WGP255-R001	Type: 3522M	Enclosure: TEFC
-------------------------------	--------------------	------------------------

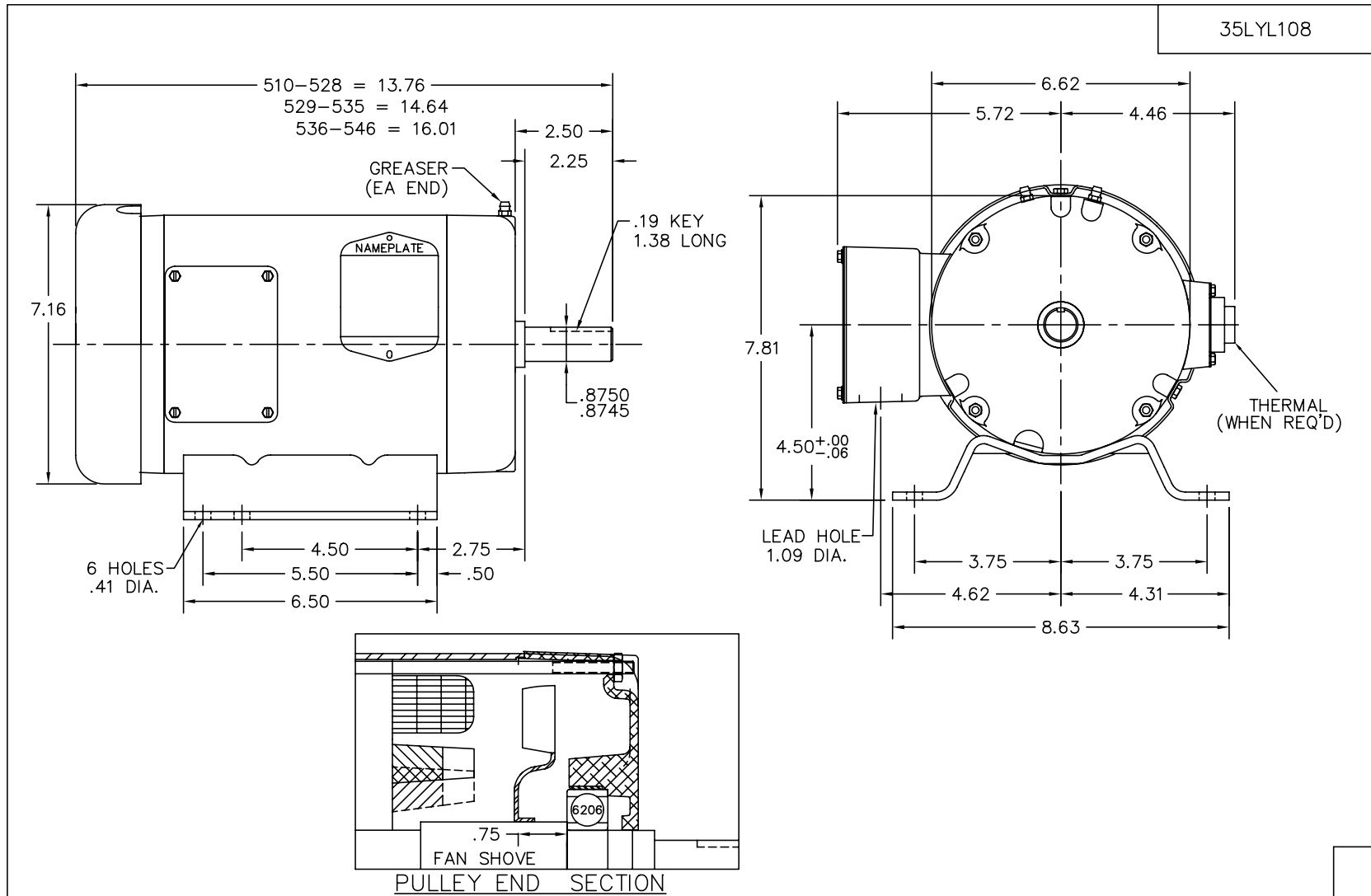
Nameplate Data				460 V, 60 Hz: High Voltage Connection	
Rated Output (HP)	1.00			Full Load Torque	4.51 LB-FT
Volts	208-230/460			Start Configuration	direct on line
Full Load Amps	3.9-3.64/1.82			Breakdown Torque	16.1 LB-FT
R.P.M.	1155			Pull-up Torque	9.1 LB-FT
Hz	60	Phase	3	Locked-rotor Torque	11.8 LB-FT
NEMA Design Code	B	KVA Code	K	Starting Current	11 A
Service Factor (S.F.)	1.15			No-load Current	1.3 A
NEMA Nom. Eff.	80	Power Factor	63	Line-line Res. @ 25°C	15.5 Ω
Rating - Duty	40C AMB-CONT			Temp. Rise @ Rated Load	49°C
S.F. Amps				Temp. Rise @ S.F. Load	62°C
				Rotor inertia	0.131 LF ²

Load Characteristics 460 V, 60 Hz, 1 HP

% of Rated Load	25	50	75	100	125	150	S.F.
Power Factor	27	42	54	63	70	74	67
Efficiency	65.6	76.7	80.2	81	80.3	79	80.6
Speed	1190	1180	1170	1159	1145	1131	1151
Line amperes	1.33	1.45	1.61	1.82	2.1	2.42	1.99

Performance Graph at 460V, 60Hz, 1.0HP Typical performance - Not guaranteed values





CUST. NAME		CUST. P.O.		CERTIFIED BY		MODEL		INSUL		AMB	
H.P.		MTG		TYPE		R.P.M.		VOLTS		ENCL	
REV. LTR: F		BY: JED		REVISED: 08/17/99 7:21		TDR: 0188121		PHASE		FREQ	
80171792		FILE: AAA00013542		MDL: -		MTL: -		FRAME		35LYL108	
BALDOR ELECTRIC Co.								STD HORZ 182-4 TEFC 35M			

