

# **BALDOR**® • ***RELIANCE***

## **Product Information Packet**

# **M3609**

**2HP,1750RPM,3PH,60HZ,184,3524M,TEFC,F1,N**

Part Detail							
Revision:	-	Status:	PRD/A	Change #:		Proprietary:	No
Type:	AC	Prod. Type:	3524M	Elec. Spec:	35WGN917	CD Diagram:	CD0005
Enclosure:	TEFC	Mfg Plant:		Mech. Spec:	35L108	Layout:	35LYL108
Frame:	184	Mounting:	F1	Poles:	04	Created Date:	02-03-2014
Base:	RG	Rotation:	R	Insulation:	F	Eff. Date:	02-11-2014
Leads:	9#18					Replaced By:	
Literature:		Elec. Diagram:					

<b>Nameplate NP1256L</b>									
CAT.NO.	M3609								
SPEC.	35L108N917H1								
HP	2								
VOLTS	208-230/460								
AMP	6.7-6.2/3.1								
RPM	1750								
FRAME	184	HZ	60	PH	3				
SER.F.	1.15	CODE	L	DES	B	CLASS	F		
NEMA-NOM-EFF	84	PF	72						
RATING	40C AMB-CONT								
CC	010A	USABLE AT 208V							
DE	6206	ODE	6203						
ENCL	TEFC	SN							

**AC Induction Motor Performance Data**

Record # 44492 - Typical performance - not guaranteed values

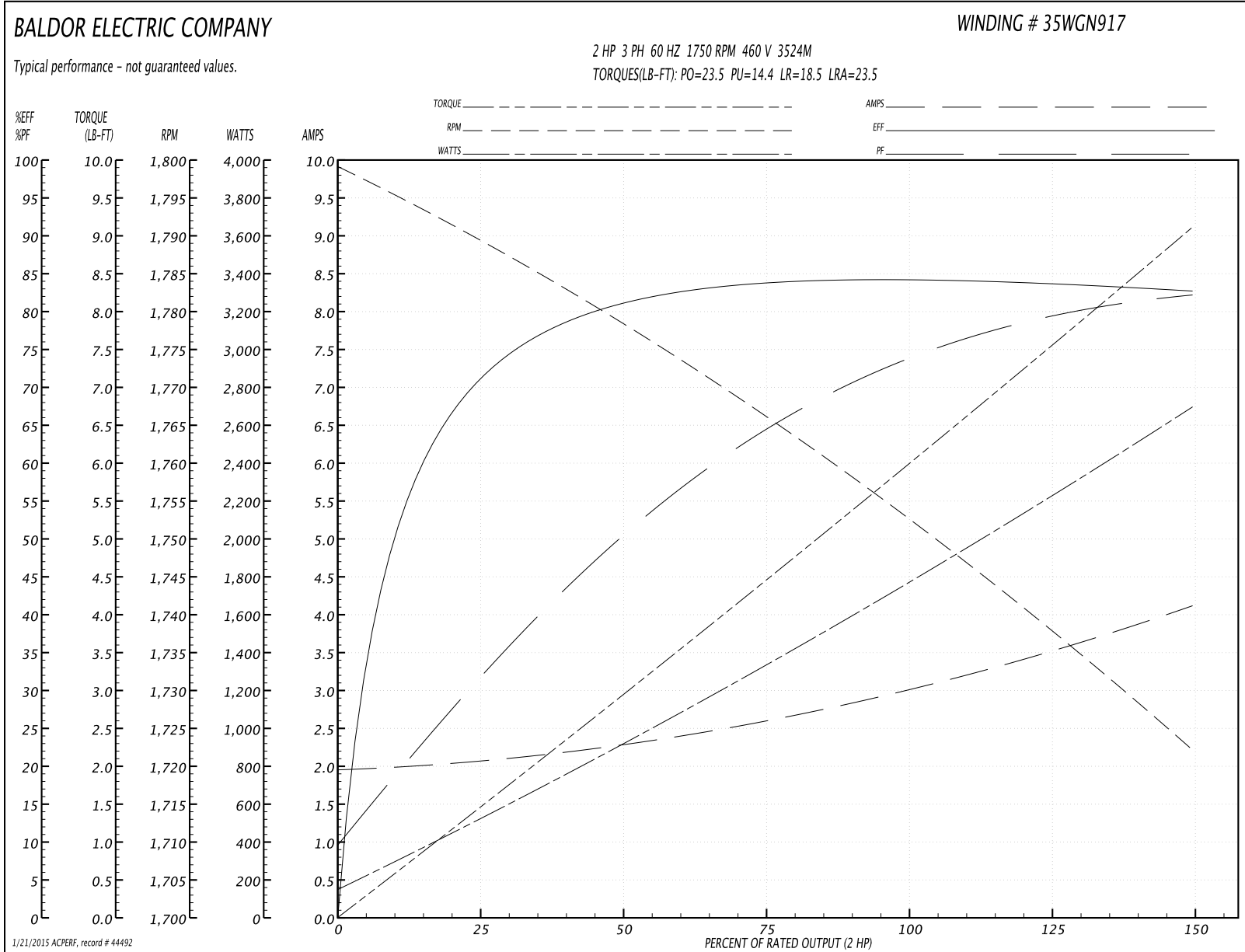
<b>Winding:</b> 35WGN917-R001	<b>Type:</b> 3524M	<b>Enclosure:</b> TEFC
-------------------------------	--------------------	------------------------

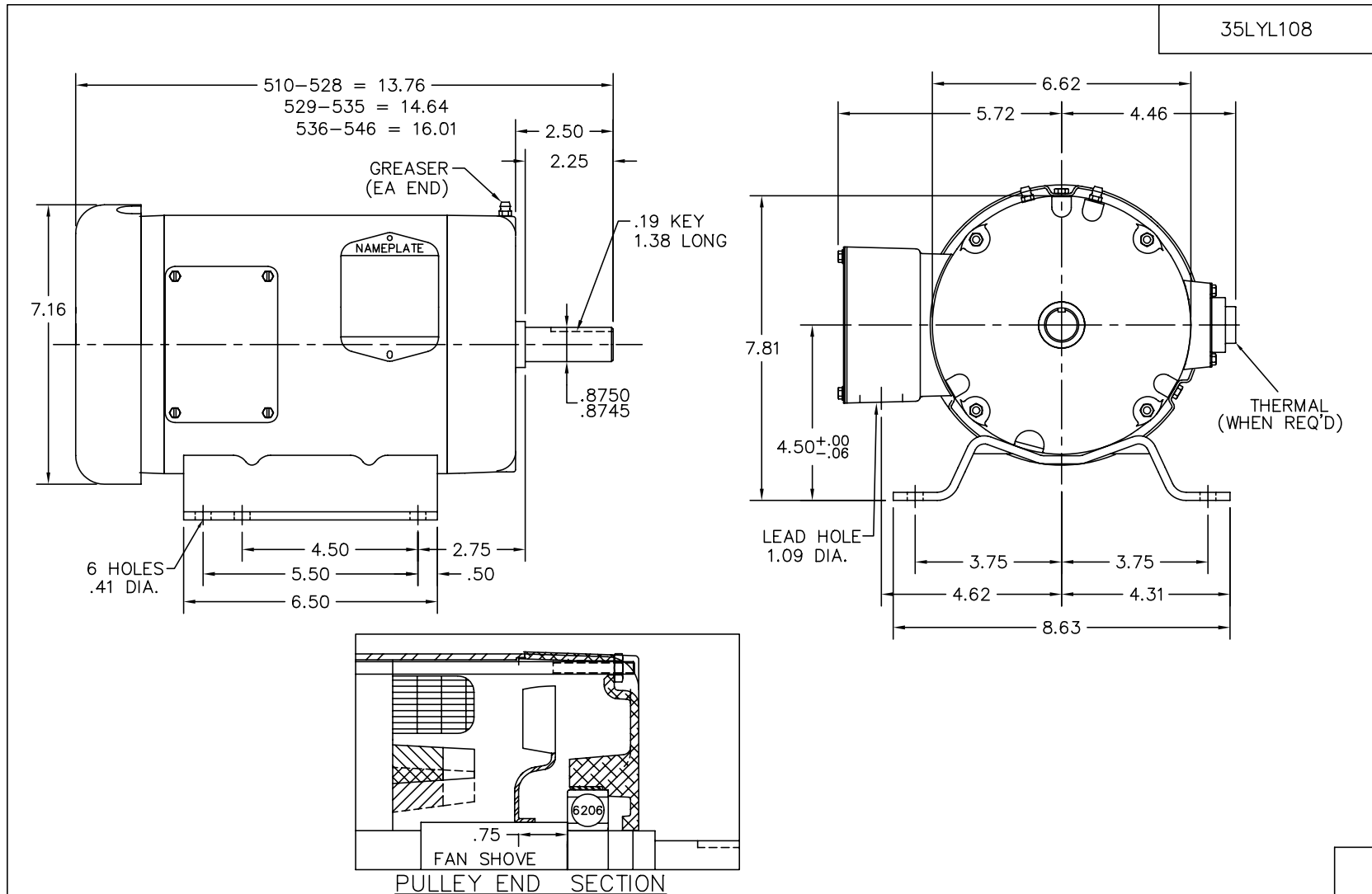
Nameplate Data				460 V, 60 Hz: High Voltage Connection	
Rated Output (HP)	2			Full Load Torque	5.99 LB-FT
Volts	208-230/460			Start Configuration	direct on line
Full Load Amps	6.7-6.2/3.1			Breakdown Torque	23.5 LB-FT
R.P.M.	1750			Pull-up Torque	14.4 LB-FT
Hz	60	Phase	3	Locked-rotor Torque	18.5 LB-FT
NEMA Design Code	B	KVA Code	L	Starting Current	23.5 A
Service Factor (S.F.)	1.15			No-load Current	1.97 A
NEMA Nom. Eff.	84	Power Factor	72	Line-line Res. @ 25°C	7.97 Ω
Rating - Duty	40C AMB-CONT			Temp. Rise @ Rated Load	72°C
S.F. Amps				Temp. Rise @ S.F. Load	84°C
				Rotor inertia	0.142 LF <sup>2</sup>

Load Characteristics 460 V, 60 Hz, 2 HP

% of Rated Load	25	50	75	100	125	150	S.F.
Power Factor	32	51	64	73	79	83	77
Efficiency	70.8	80.7	83.7	84.3	83.9	82.6	84.1
Speed	1790	1778	1766	1753	1738	1722	1744
Line amperes	2.05	2.26	2.61	3.03	3.52	4.11	3.32

Performance Graph at 460V, 60Hz, 2.0HP Typical performance - Not guaranteed values

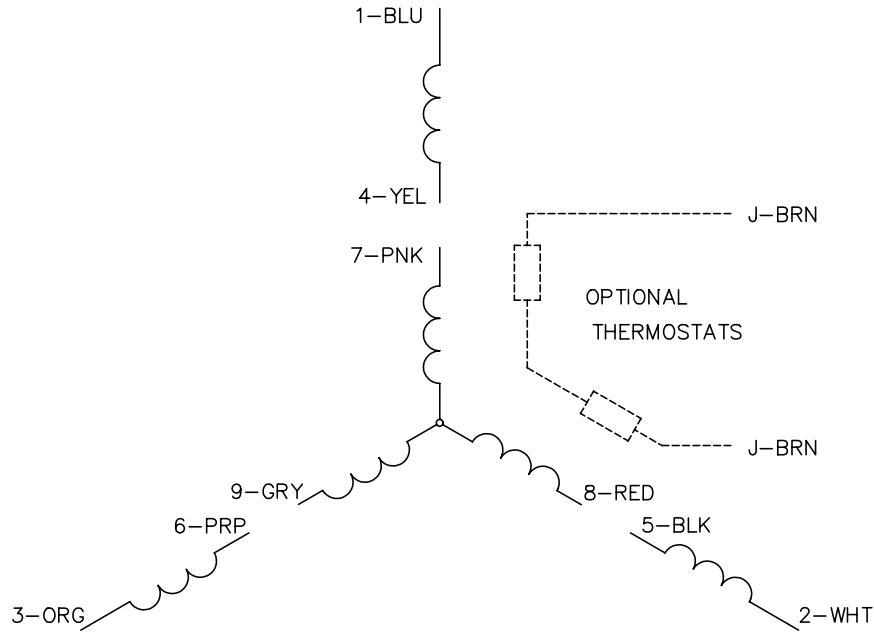




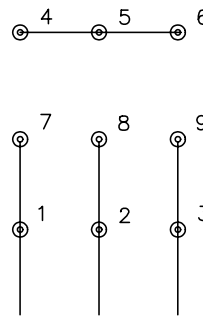
PULLEY END SECTION

CUST. NAME		CUST. P.O.		CERTIFIED BY		MODEL		INSUL		AMB	
H.P.		MTG		TYPE		R.P.M.		VOLTS		ENCL	
REV. LTR: F		BY: JED		REVISED: 08/17/99 7:21		TDR: 0188121		PHASE		FREQ	
80171792		FILE: AAA00013542		MDL: -		MNL: -		STD HORZ 182-4 TEFC 35M		FRAME	
<b>BALDOR ELECTRIC Co.</b>										35LYL108	

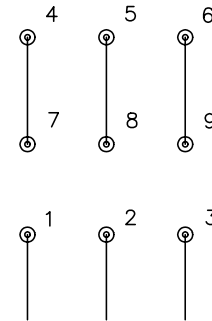
CD0005



LOW VOLTAGE  
(2Y)



HIGH VOLTAGE  
(1Y)



NOTES:

1. INTERCHANGE ANY TWO LINE LEADS TO REVERSE ROTATION.
2. OPTIONAL THERMOSTATS ARE PROVIDED WHEN SPECIFIED.
3. ACTUAL NUMBER OF INTERNAL PARALLEL CIRCUITS MAY BE A MULTIPLE OF THOSE SHOWN ABOVE.
4. LEAD COLORS ARE OPTIONAL. LEADS MUST ALWAYS BE NUMBERED AS SHOWN.

REV. DESC: REVISE TO SHOW OPTIONAL COLORS			
REV. LTR: E	BY: JLP	REVISED: 01/19/99 10:15	TDR: 0171435
90000		FILE: AAA00005140	MDL: -
		MTL: -	

**BALDOR ELECTRIC Co.**

3PH, DV, 9 LEADS

CD0005