

BALDOR® • ***RELIANCE***

Product Information Packet

NM3538/35

.5HP, 1740RPM, 3PH, 60HZ, 56, 3512M, TENV, F1, N

Part Detail							
Revision:	D	Status:	PRD/A	Change #:		Proprietary:	No
Type:	AC	Prod. Type:	3512M	Elec. Spec:	35WGP863	CD Diagram:	CD0005
Enclosure:	TENV	Mfg Plant:		Mech. Spec:	35A026	Layout:	35LYA026
Frame:	56	Mounting:	F1	Poles:	04	Created Date:	04-20-2011
Base:	RG	Rotation:	R	Insulation:	F	Eff. Date:	02-08-2013
Leads:	9#18					Replaced By:	
Literature:		Elec. Diagram:					

Nameplate NP1256L									
CAT.NO.	NM3538/35								
SPEC.	35A026P863G1								
HP	.5								
VOLTS	230/460								
AMP	1.6/.8								
RPM	1740								
FRAME	56	HZ	60	PH	3				
SER.F.	1.15	CODE	M	DES	B	CLASS	F		
NEMA-NOM-EFF	80	PF	69						
RATING	40C AMB-CONT								
CC	USABLE AT 208V								
DE	6205	ODE	6203						
ENCL	TENV	SN							

AC Induction Motor Performance Data

Record # 36570 - Typical performance - not guaranteed values

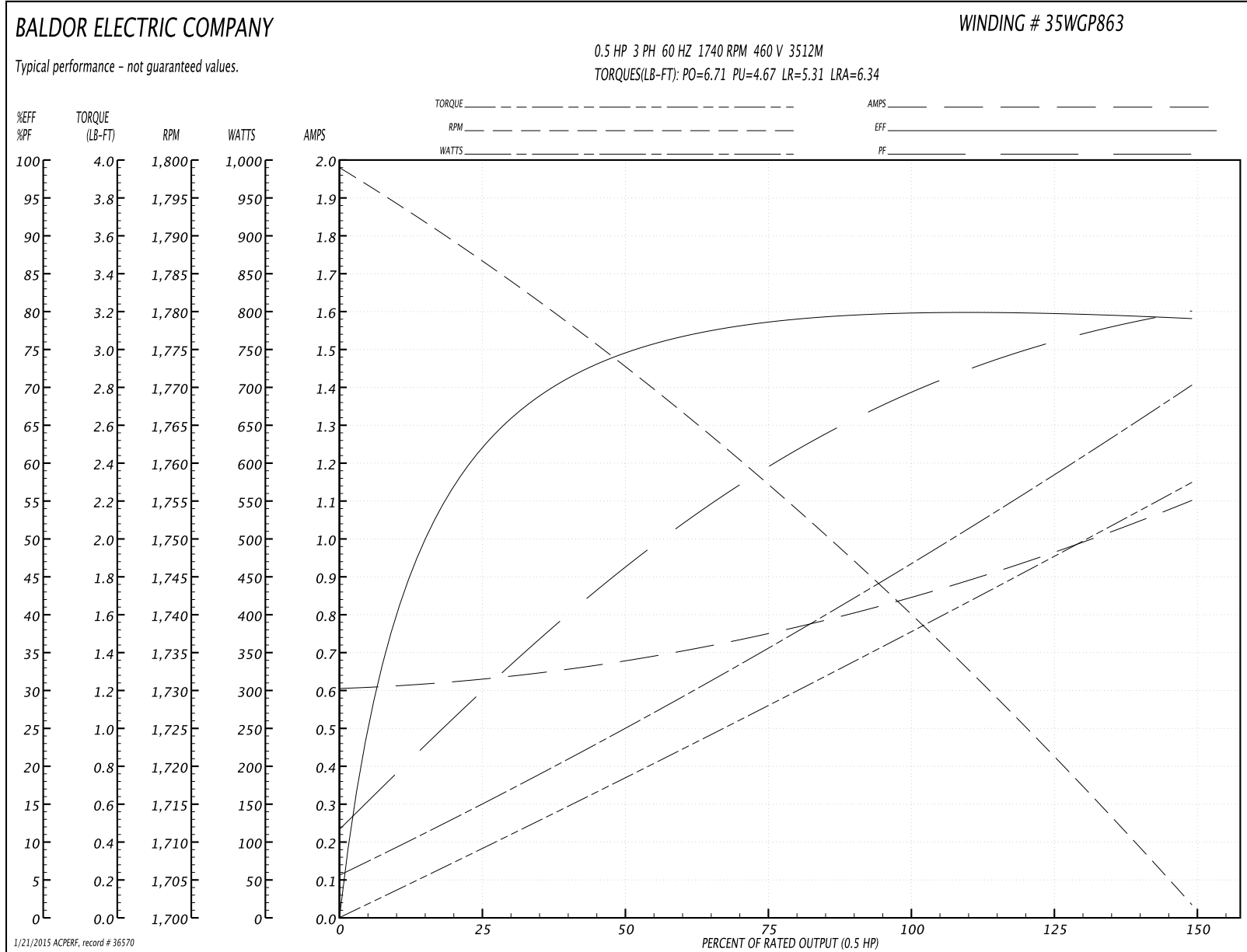
Winding: 35WGP863-R002	Type: 3512M	Enclosure: TENV
-------------------------------	--------------------	------------------------

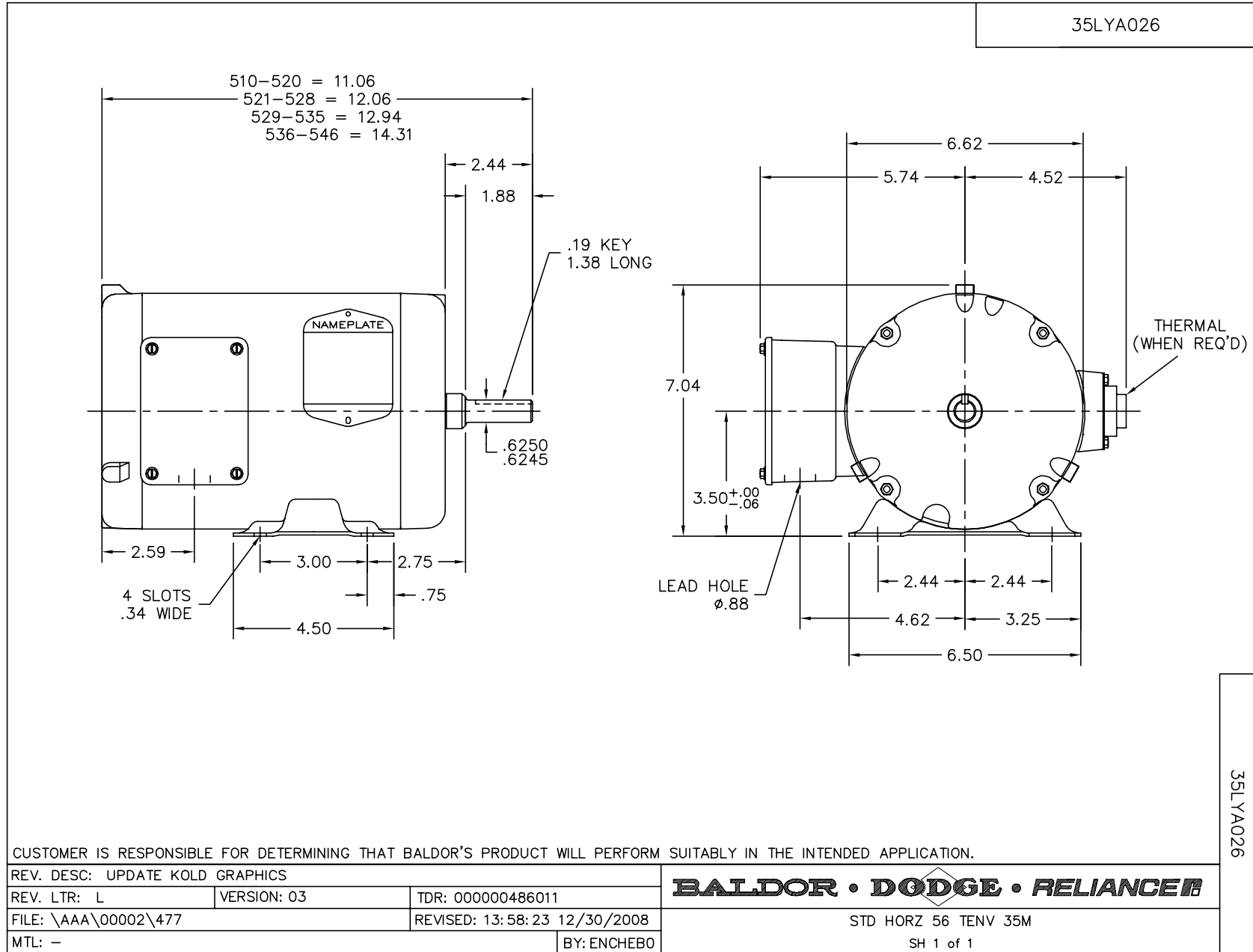
Nameplate Data				460 V, 60 Hz: High Voltage Connection	
Rated Output (HP)	.5			Full Load Torque	1.49 LB-FT
Volts	230/460			Start Configuration	direct on line
Full Load Amps	1.6/.8			Breakdown Torque	6.71 LB-FT
R.P.M.	1740			Pull-up Torque	4.67 LB-FT
Hz	60	Phase	3	Locked-rotor Torque	5.31 LB-FT
NEMA Design Code	B	KVA Code	M	Starting Current	6.34 A
Service Factor (S.F.)	1.15			No-load Current	0.608 A
NEMA Nom. Eff.	80	Power Factor	69	Line-line Res. @ 25°C	34 Ω
Rating - Duty	40C AMB-CONT			Temp. Rise @ Rated Load	54°C
S.F. Amps				Temp. Rise @ S.F. Load	65°C
				Rotor inertia	0.0709 LF ²

Load Characteristics 460 V, 60 Hz, 0.5 HP

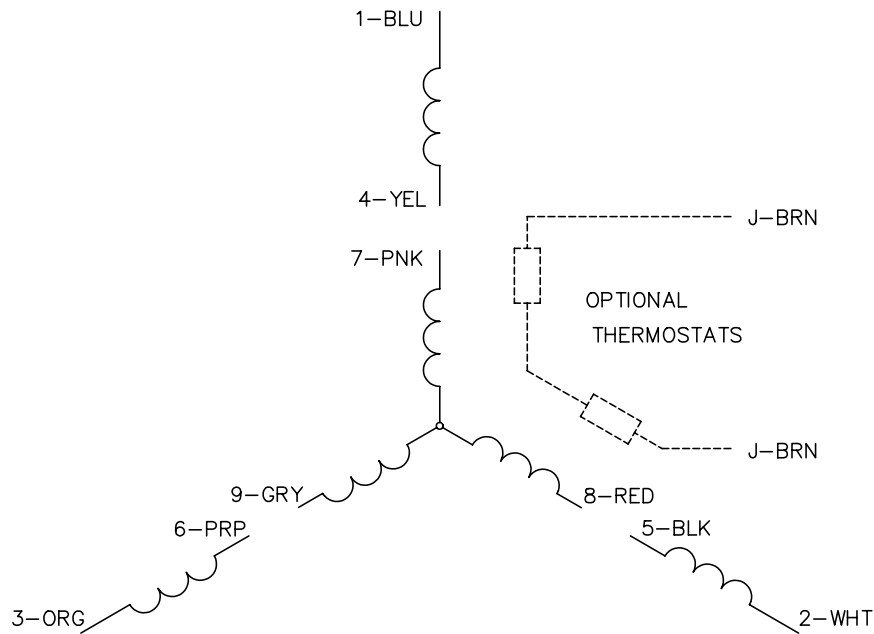
% of Rated Load	25	50	75	100	125	150	S.F.
Power Factor	28	45	59	69	75	80	73
Efficiency	59.5	73.1	78.5	80	80.1	78.9	80.1
Speed	1788	1774	1759	1741	1722	1702	1730
Line amperes	0.624	0.669	0.744	0.844	0.957	1.1	0.912

Performance Graph at 460V, 60Hz, 0.5HP Typical performance - Not guaranteed values

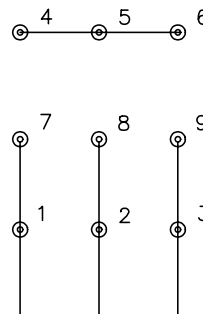




CD0005

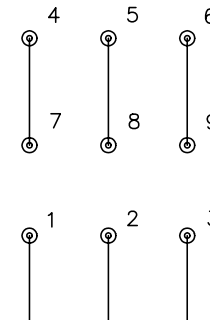


LOW VOLTAGE
(2Y)



LINE

HIGH VOLTAGE
(1Y)



LINE

NOTES:

1. INTERCHANGE ANY TWO LINE LEADS TO REVERSE ROTATION.
2. OPTIONAL THERMOSTATS ARE PROVIDED WHEN SPECIFIED.
3. ACTUAL NUMBER OF INTERNAL PARALLEL CIRCUITS MAY BE A MULTIPLE OF THOSE SHOWN ABOVE.
4. LEAD COLORS ARE OPTIONAL. LEADS MUST ALWAYS BE NUMBERED AS SHOWN.

REV. DESC: REVISE TO SHOW OPTIONAL COLORS			
REV. LTR: E	BY: JLP	REVISED: 01/19/99 10:15	TDR: 0171435
90000		FILE: AAA00005140	MDL: -
		MTL: -	

BALDOR ELECTRIC Co.

3PH, DV, 9 LEADS

CD0005