

BALDOR® • **RELIANCE**

Product Information Packet

VBM3546T-5

1HP,1740RPM,3PH,60HZ,143TC,3514M,TEFC,F1

Part Detail							
Revision:	E	Status:	PRD/A	Change #:		Proprietary:	No
Type:	AC	Prod. Type:	3514M	Elec. Spec:	35WGM260	CD Diagram:	CD0006
Enclosure:	TEFC	Mfg Plant:		Mech. Spec:	35E060	Layout:	35LYE060
Frame:	143TC	Mounting:	F1	Poles:	04	Created Date:	07-14-2010
Base:	N	Rotation:	R	Insulation:	F	Eff. Date:	01-06-2012
Leads:	3#18					Replaced By:	
Literature:		Elec. Diagram:					

Nameplate NP1256L									
CAT.NO.	VBM3546T-5								
SPEC.	35E060M260G1								
HP	1								
VOLTS	575								
AMP	1.5								
RPM	1740								
FRAME	143TC	HZ	60	PH	3				
SER.F.	1.15	CODE	L	DES	B	CLASS	F		
NEMA-NOM-EFF	75.5	PF	67						
RATING	40C AMB-CONT								
CC	USABLE AT 208V								
DE	6205	ODE	6203						
ENCL	TEFC	SN							

Parts List		
Part Number	Description	Quantity
SA200153	SA 35E060M260G1	1.000 EA
RA187472	RA 35E060M260G1	1.000 EA
NS2512A01	INSULATOR, CONDUIT BOX X	1.000 EA
35CB3007	35 CB CASTING W/.88 DIA. LEAD HOLE	1.000 EA
36GS1000SP	GASKET-CONDUIT BOX, .06 THICK #SV-330 LE	1.000 EA
51XB1016A07	10-16 X 7/16 HXWSSLD SERTYB	2.000 EA
11XW1032G06	10-32 X .38, TAPTITE II, HEX WSHR SLTD U	1.000 EA
35EP3900T02	SPL FACE MTD FR EP-ENCL-W/STEARNS BRAKE	1.000 EA
HW4500A01	1641B(ALEMITE)400 UNIV, GREASE FITT	1.000 EA
HW5100A03SP	WAVY WASHER (W1543-017)	1.000 EA
35EP3300A46	SPL FACE MTD EP-ENCL-145TC-205 BRG	1.000 EA
HW4500A01	1641B(ALEMITE)400 UNIV, GREASE FITT	1.000 EA
51XN1032A20	10-32 X 1 1/4 HX WS SL SR	2.000 EA
HA1014A02SP	SPL SPACER FOR FAN COVER MTD ON BRAKE	3.000 EA
51XB1016A07	10-16 X 7/16 HXWSSLD SERTYB	3.000 EA
BR1003A01	BRAKE RELEASE LEVER	1.000 EA
35FH5000A08SP	FAN COVER ASSY FOR BRAKE MTRS,W/ AUTOPHE	1.000 EA
51XW1032A06	10-32 X .38, TAPTITE II, HEX WSHR SLTD S	3.000 EA
35CB4521GX	CONDUIT BOX LID KIT	1.000 EA
51XW0832A07	8-32 X .44, TAPTITE II, HEX WSHR SLTD SE	4.000 EA
HW2501D13SP	KEY, 3/16 SQ X 1.375	1.000 EA
HA7000A01	KEY RETAINER 7/8" DIA SHAFT	1.000 EA
85XU0407S04	4X1/4 U DRIVE PIN STAINLESS	2.000 EA
MJ1000A75	GREASE, POLYREX EM EXXON (USe 4824-15A)	0.050 LB

Parts List (continued)		
Part Number	Description	Quantity
HW2501D08	KEY, 3/16 SQ X .875 AUTO	1.000 EA
84XN3816J28	HEX SOC HD, 3/8-16 X 1.75 LONG	2.000 EA
35FN3002A01SP	EXFN, PLASTIC, 6.376 OD, .625 ID W/FLAT	1.000 EA
51XB1214A16	12-14X1.00 HXWSSLD SERTYB	1.000 EA
MG1000G27	MED CHARCOAL METALLIC GREY	0.017 GA
HA3100A12	THRUBOLT 10-32 X 7.375	4.000 EA
76BK2100BNF	1-056-021-00-BNF BRAKE TDR# 79345	1.000 EA
LB1119N	WARNING LABEL	1.000 EA
LB1125C01	STD (STOCK) CARTON LABEL BALDOR WITH FLA	1.000 EA
LB1185	LABEL,BRAKE CONNECTION (ON ROLLS)	1.000 EA
LC0006	CONNECTION LABEL	1.000 EA
NP1256L	ALUM UL CSA CC	1.000 EA
G7PA1000	PACKAGING GROUP / BALDOR	1.000 EA
PK3082	STYROFOAM CRADLE	1.000 EA
MN416A01	TAG-INSTAL-MAINT no wire (1200/bx) 10/13	1.000 EA

AC Induction Motor Performance Data

Record # 32556 - Typical performance - not guaranteed values

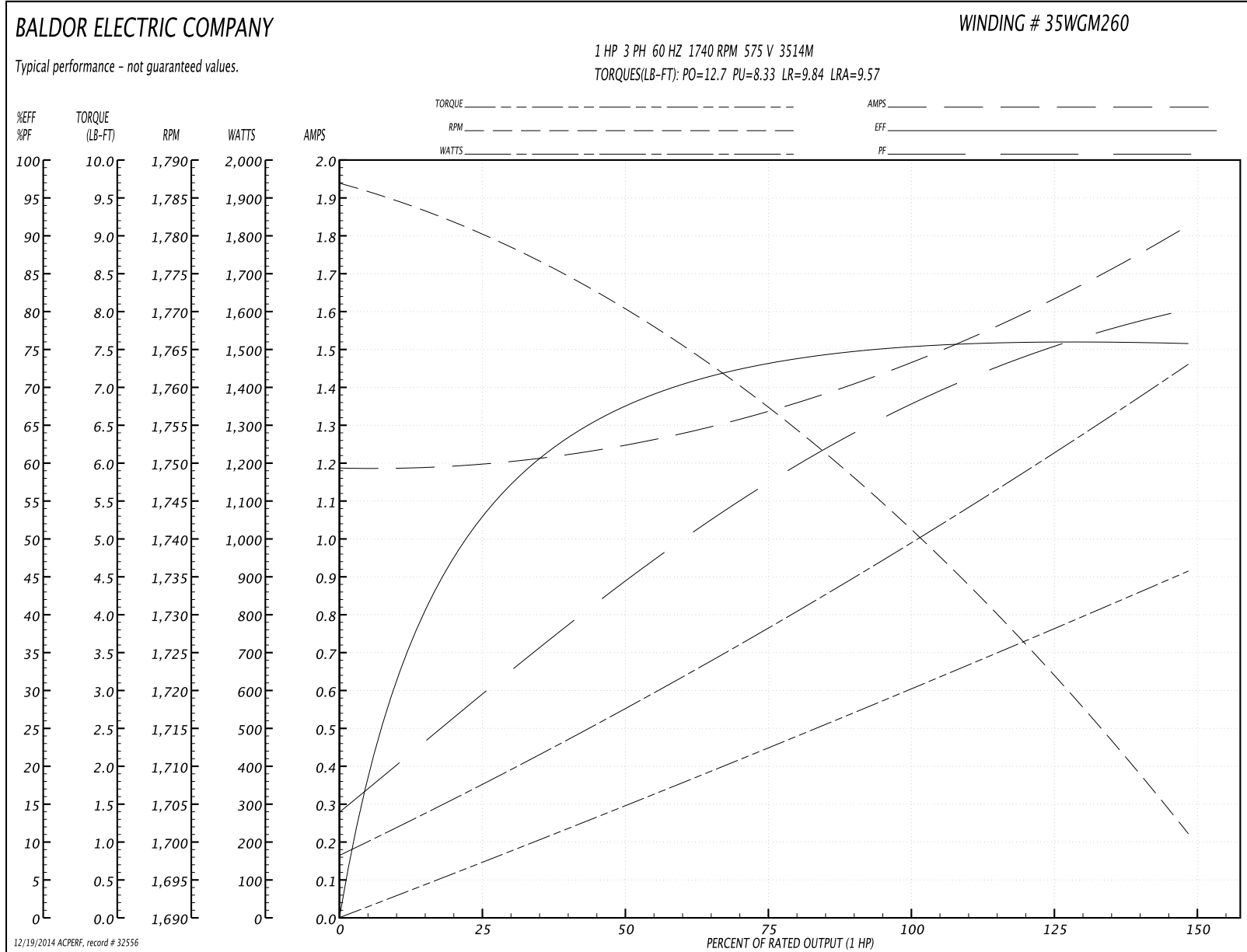
Winding: 35WGM260-R001	Type: 3514M	Enclosure: TEFC
-------------------------------	--------------------	------------------------

Nameplate Data				575 V, 60 Hz: Single Voltage Motor	
Rated Output (HP)	1			Full Load Torque	2.99 LB-FT
Volts	575			Start Configuration	direct on line
Full Load Amps	1.5			Breakdown Torque	12.7 LB-FT
R.P.M.	1740			Pull-up Torque	8.33 LB-FT
Hz	60	Phase	3	Locked-rotor Torque	9.84 LB-FT
NEMA Design Code	B	KVA Code	L	Starting Current	9.57 A
Service Factor (S.F.)	1.15			No-load Current	1.19 A
NEMA Nom. Eff.	75.5	Power Factor	67	Line-line Res. @ 25°C	31.5 Ω
Rating - Duty	40C AMB-CONT			Temp. Rise @ Rated Load	61°C
S.F. Amps				Temp. Rise @ S.F. Load	69°C
				Rotor inertia	0.0827 LF ²

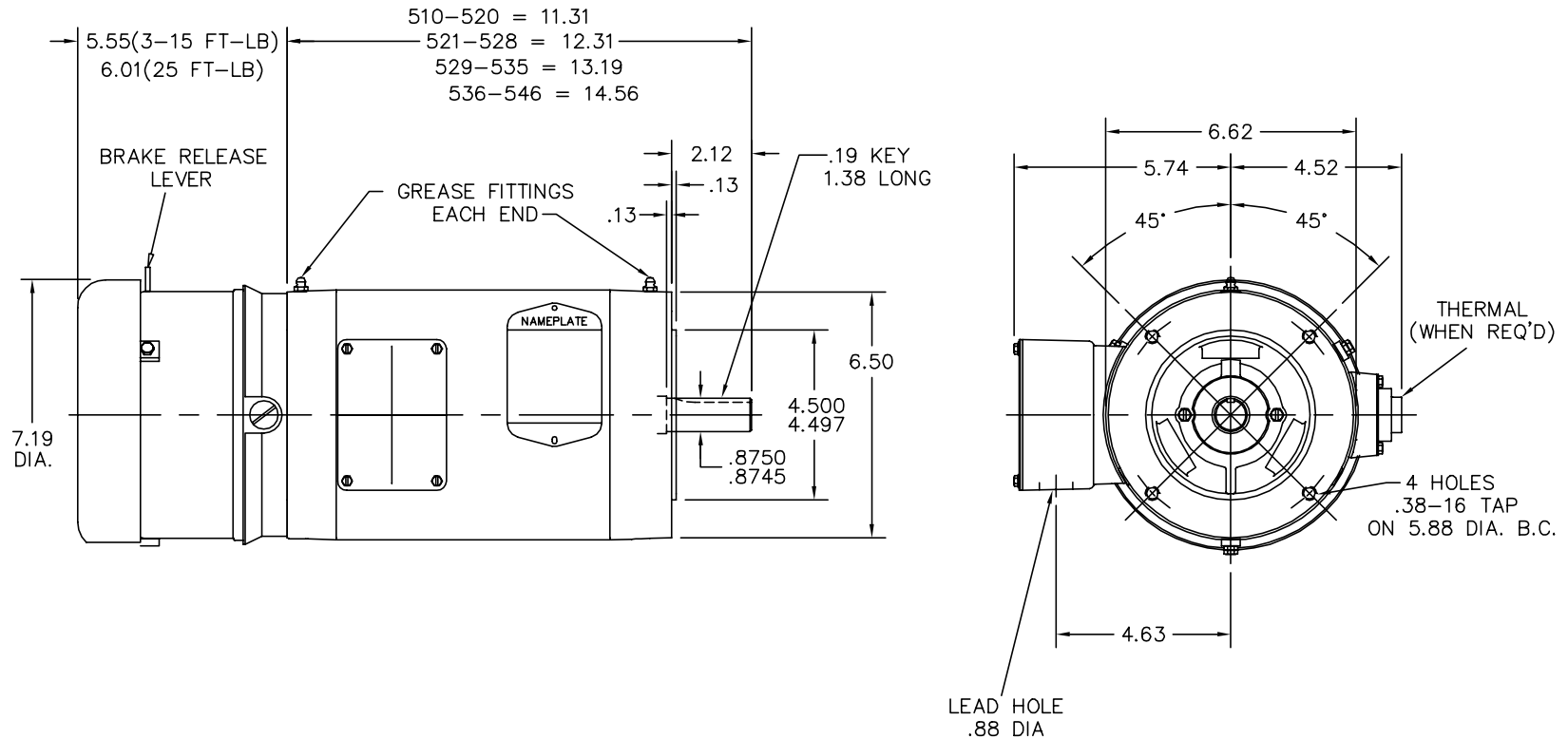
Load Characteristics 575 V, 60 Hz, 1 HP

% of Rated Load	25	50	75	100	125	150	S.F.
Power Factor	30	45	57	67	75	80	72
Efficiency	52.1	67.4	72.9	75.6	76.3	75.6	76
Speed	1785	1771	1756	1740	1722	1702	1729
Line amperes	1.19	1.25	1.34	1.46	1.63	1.83	1.56

Performance Graph at 575V, 60Hz, 1.0HP Typical performance - Not guaranteed values



35LYE060



CUSTOMER IS RESPONSIBLE FOR DETERMINING THAT BALDOR'S PRODUCT WILL PERFORM SUITABLY IN THE INTENDED APPLICATION.

REV. DESC: OMIT SCREW HEADS ON FAN COVER		
REV. LTR: H	VERSION: 01	TDR: 000000812015
FILE: \AAA\00006\569	REVISED: 04: 36: 48 08/07/2013	BY: ENKANVO
MTL: -	☉ □	

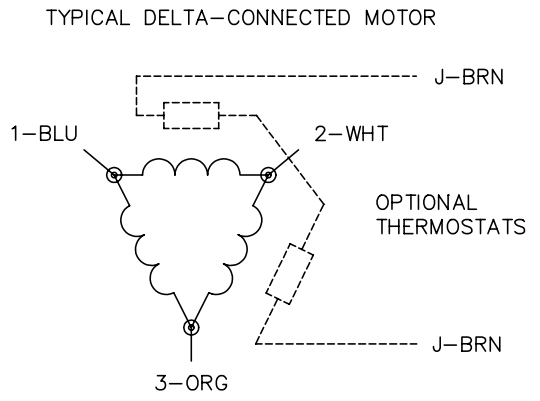
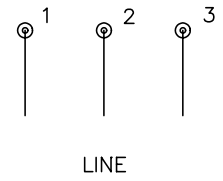
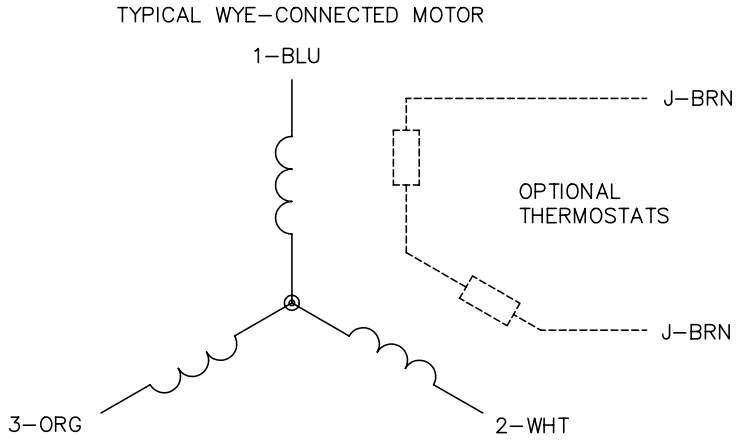
BALDOR

STD VERT 143-5TC TEFC 35M FACE MTD W/BRAKE

SH 1 of 1

35LYE060

CD0006



- NOTES:
1. THREE LEAD MOTOR MAY BE EITHER WYE CONNECTED OR DELTA CONNECTED.
 2. INTERCHANGE ANY TWO LINE LEADS TO REVERSE ROTATION.
 3. OPTIONAL THERMOSTATS ARE PROVIDED WHEN SPECIFIED.
 4. ACTUAL NUMBER OF INTERNAL PARALLEL CIRCUITS MAY VARY.
 5. LEAD COLORS ARE OPTIONAL. LEADS MUST BE NUMBERED AS SHOWN.

REV. DESC: REVISE TO SHOW OPTIONAL COLORS			
REV. LTR: D	BY: JLP	REVISED: 01/21/99 4:02	TDR: 0171435
9000D		FILE: AAA00005141	MDL: -
		MTL: -	

BALDOR ELECTRIC Co.

3PH, SV, 3 LEADS, WYE OR DELTA CONNECTED

CD0006