

BALDOR® • **RELIANCE**

Product Information Packet

VBM3546T

1HP,1725RPM,3PH,60HZ,143TC,BRAKE,3426M

Part Detail							
Revision:	T	Status:	PRD/A	Change #:		Proprietary:	No
Type:	AC	Prod. Type:	3426M	Elec. Spec:	34WGX269	CD Diagram:	CD0005
Enclosure:	TEFC	Mfg Plant:		Mech. Spec:	34H300	Layout:	34LYH300
Frame:	143TC	Mounting:	F1	Poles:	04	Created Date:	
Base:	N	Rotation:	R	Insulation:	B	Eff. Date:	07-14-2014
Leads:	9#18					Replaced By:	
Literature:		Elec. Diagram:					

Nameplate NP1256L							
CAT.NO.	VBM3546T						
SPEC.	34H300X269-N						
HP	1						
VOLTS	208-230/460						
AMP	3.7-3.4/1.7						
RPM	1725						
FRAME	143TC	HZ	60	PH	3		
SER.F.	1.15	CODE	M	DES	B	CLASS	B
NEMA-NOM-EFF	78.5	PF	71				
RATING	40C AMB-CONT						
CC		USABLE AT 208V	3.7				
DE	6205	ODE	6203				
ENCL	TEFC	SN					

Parts List		
Part Number	Description	Quantity
SA040608	SA 34H300X269-N	1.000 EA
RA036491	RA 34H300X269-N	1.000 EA
NS2512A01	INSULATOR, CONDUIT BOX X	1.000 EA
34CB3002A	CB CAST W/.88 DIA HOLE	1.000 EA
34GS1029A01	GASKET, CONDUIT BOX	1.000 EA
51XB1016A07	10-16 X 7/16 HXWSSLD SERTYB	2.000 EA
11XW1032G06	10-32 X .38, TAPTITE II, HEX WSHR SLTD U	1.000 EA
HW5100A03SP	WAVY WASHER (W1543-017)	1.000 EA
34EP3903T09	PU ENDPLATE, MACH	1.000 EA
51XN1032A20	10-32 X 1 1/4 HX WS SL SR	2.000 EA
WD4006C05	ORANGE, WIRENUT, G-B #13-003 ORGSIZE 73B	3.000 EA
18XN2520A08	1/4-20X1/2 FLAT HD SLTD X	2.000 EA
HW2500A13	KEY, USA #605, WOODRUFF	1.000 EA
34FN3002A03	EXTERNAL FAN, PLASTIC, .500 HUB I.D. W/5	1.000 EA
34FH4002A05	IEC FH W/DEEPER DIMPLES FOR BRAKE COVER	1.000 EA
51XB1016A05	10-16X5/16HX WA SL SR TYB (F/S)	3.000 EA
34CB4517	CB LID 4 MTG HOLES .22 DIA STAMPED, FOR	1.000 EA
34GS1031A01	GASKET, FLAT CONDUIT BOX LID (LEXIDE)	1.000 EA
51XW0832A07	8-32 X .44, TAPTITE II, HEX WSHR SLTD SE	4.000 EA
HW2501D13SP	KEY, 3/16 SQ X 1.375	1.000 EA
HA7000A01	KEY RETAINER 7/8" DIA SHAFT	1.000 EA
34EP3900T09	FR ENDPLATE, MACH	1.000 EA
MG1000G27	MED CHARCOAL METALLIC GREY	0.014 GA
10XF0440S02	04-40 X 1/8 TYPE F HEX HD STAINLESS STIC	2.000 EA

Parts List (continued)		
Part Number	Description	Quantity
LB1185	LABEL,BRAKE CONNECTION (ON ROLLS)	1.000 EA
HA3100A45	THRUBOLT 10-32 X 8.875	4.000 EA
48BK7101BP-D	DRILL BRAKE COVER	1.000 EA
MN416A01	TAG-INSTAL-MAINT no wire (1200/bx) 10/13	1.000 EA
LB1125C01	STD (STOCK) CARTON LABEL BALDOR WITH FLA	1.000 EA
LC0005E01	CONN.DIA./WARNING LABEL (LC0005/LB1119N)	1.000 EA
NP1256L	ALUM UL CSA CC	1.000 EA
35PA1007	PACKAGING GROUP	1.000 EA
PK3083T	STYROFOAM PACKING CRADLE W/TAPE	1.000 EA
LB1506	LABEL "AMERICAN MADE" 1.50 X 1.00	1.000 EA

AC Induction Motor Performance Data

Record # 7286 - Typical performance - not guaranteed values

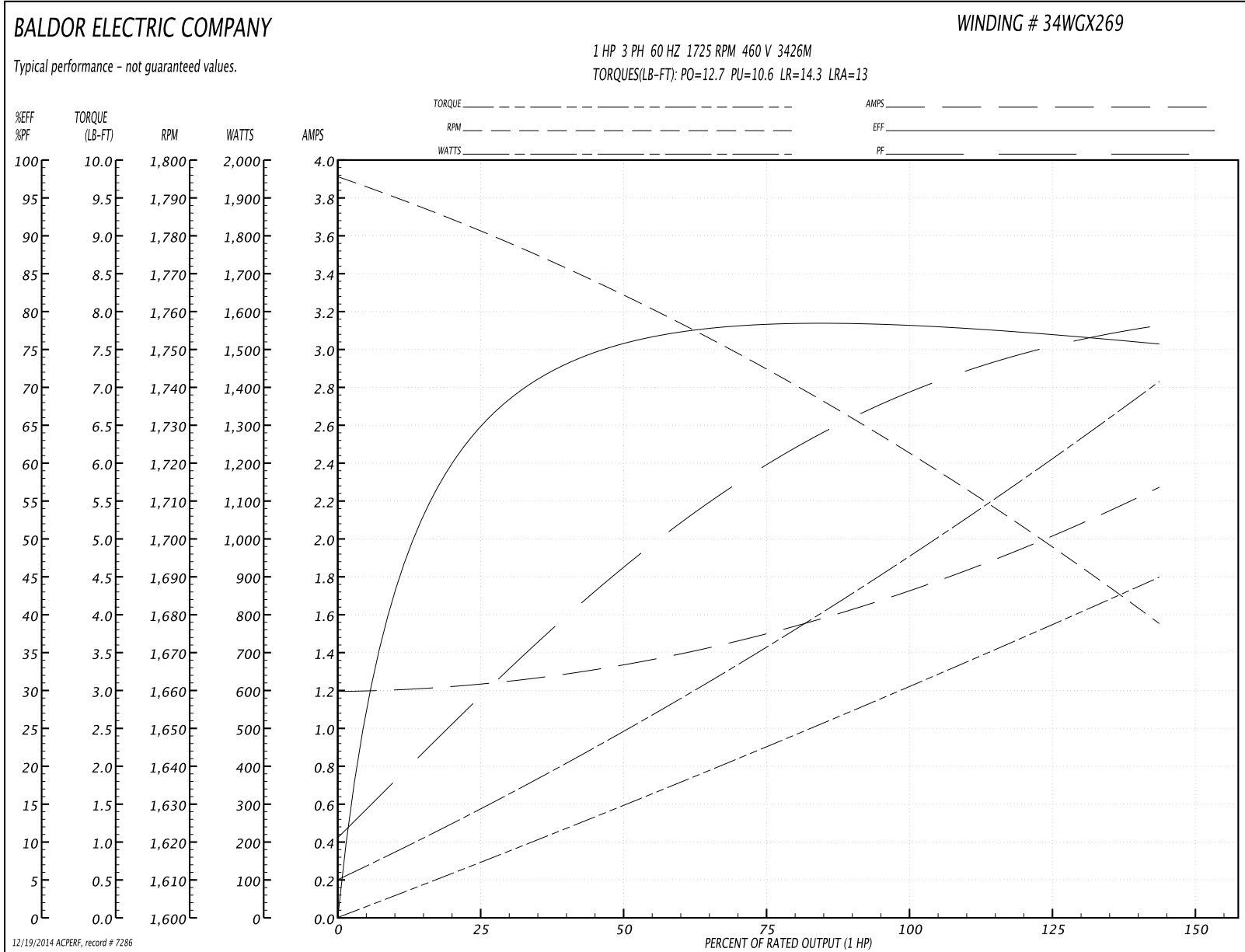
Winding: 34WGX269-R001	Type: 3426M	Enclosure: TEFC
-------------------------------	--------------------	------------------------

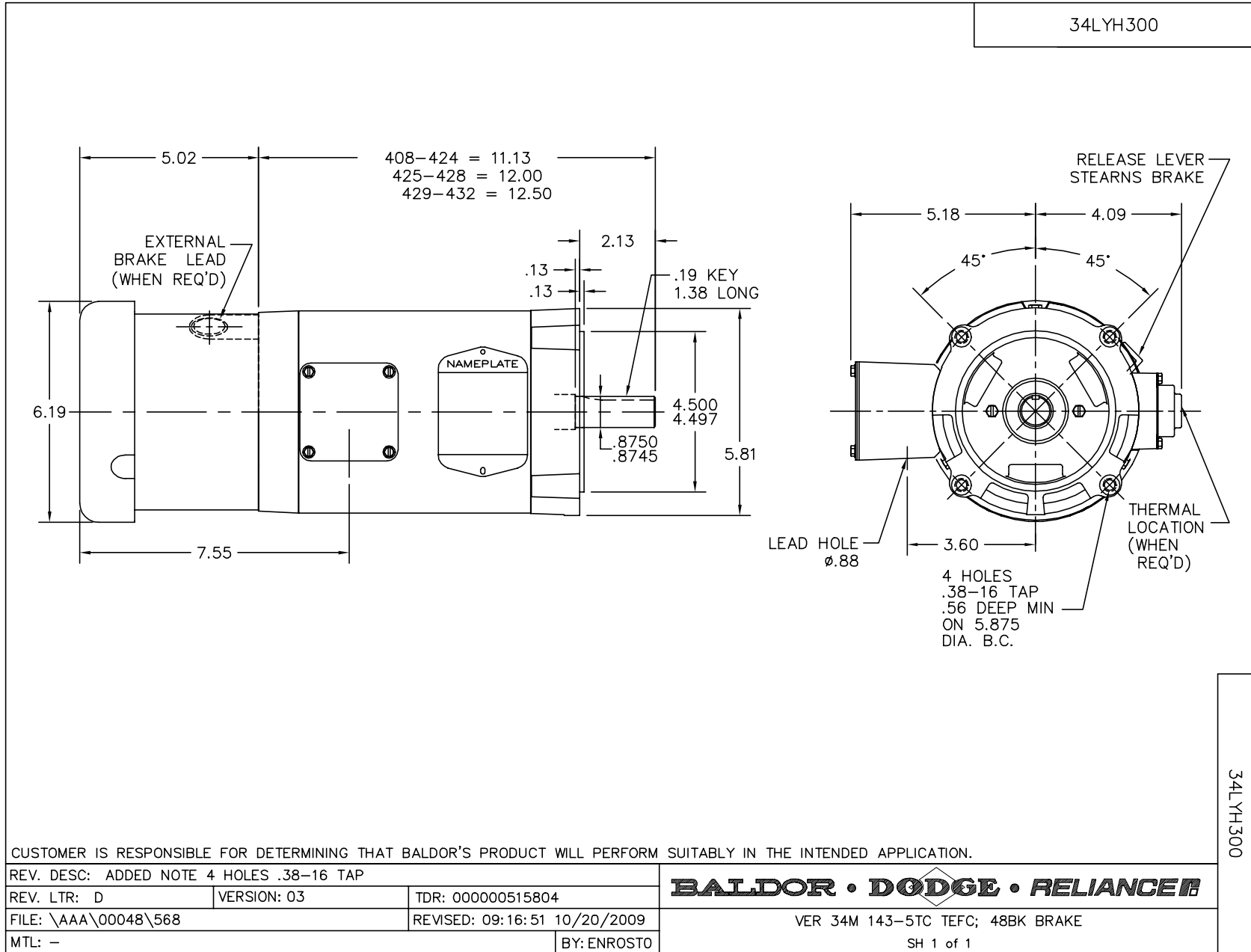
Nameplate Data				460 V, 60 Hz: High Voltage Connection	
Rated Output (HP)	1			Full Load Torque	3 LB-FT
Volts	208-230/460			Start Configuration	direct on line
Full Load Amps	3.7-3.4/1.7			Breakdown Torque	12.7 LB-FT
R.P.M.	1725			Pull-up Torque	10.6 LB-FT
Hz	60	Phase	3	Locked-rotor Torque	14.3 LB-FT
NEMA Design Code	B	KVA Code	M	Starting Current	13 A
Service Factor (S.F.)	1.15			No-load Current	1.2 A
NEMA Nom. Eff.	78.5	Power Factor	71	Line-line Res. @ 25°C	13.2 Ω
Rating - Duty	40C AMB-CONT			Temp. Rise @ Rated Load	79°C
S.F. Amps				Temp. Rise @ S.F. Load	94°C
				Rotor inertia	0.0619 LF ²

Load Characteristics 460 V, 60 Hz, 1 HP

% of Rated Load	25	50	75	100	125	150	S.F.
Power Factor	30	47	60	68	75	79	72
Efficiency	63.9	75.5	78.3	78.6	77.4	75.5	77.9
Speed	1781	1763	1745	1725	1702	1677	1711
Line amperes	1.23	1.33	1.5	1.72	1.97	2.27	1.87

Performance Graph at 460V, 60Hz, 1.0HP Typical performance - Not guaranteed values

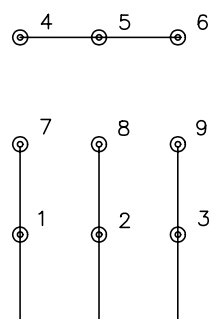




CD0005

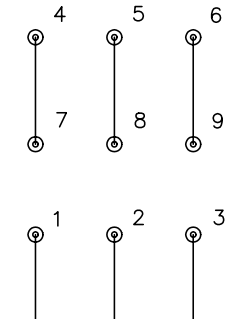


LOW VOLTAGE
(2Y)



LINE

HIGH VOLTAGE
(1Y)



LINE

NOTES:

1. INTERCHANGE ANY TWO LINE LEADS TO REVERSE ROTATION.
2. OPTIONAL THERMOSTATS ARE PROVIDED WHEN SPECIFIED.
3. ACTUAL NUMBER OF INTERNAL PARALLEL CIRCUITS MAY BE A MULTIPLE OF THOSE SHOWN ABOVE.
4. LEAD COLORS ARE OPTIONAL. LEADS MUST ALWAYS BE NUMBERED AS SHOWN.

REV. DESC: REVISE TO SHOW OPTIONAL COLORS			
REV. LTR: E	BY: JLP	REVISED: 01/19/99 10:15	TDR: 0171435
90000		FILE: AAA00005140	MDL: -
		MTL: -	

BALDOR ELECTRIC Co.

3PH, DV, 9 LEADS

CD0005