

# **BALDOR**® • ***RELIANCE***

## **Product Information Packet**

# **VBM3558T-5S**

**2HP, 1750RPM, 3PH, 60HZ, 145TC, 3524M, TEFC, F3**

Part Detail							
Revision:	-	Status:	PRD/A	Change #:		Proprietary:	No
Type:	AC	Prod. Type:	3524M	Elec. Spec:	35WGN945	CD Diagram:	CD0006
Enclosure:	TEFC	Mfg Plant:		Mech. Spec:	35X067	Layout:	35LYX067
Frame:	145TC	Mounting:	F3	Poles:	04	Created Date:	02-09-2014
Base:	N	Rotation:	R	Insulation:	F	Eff. Date:	02-13-2014
Leads:	3#18					Replaced By:	
Literature:		Elec. Diagram:					

Nameplate NP1372L							
CAT.NO.	VBM3558T-5S						
SPEC.	35X067N945H1						
HP	2						
VOLTS	575						
AMP	2.5						
RPM	1750						
FRAME	145TC	HZ	60	PH	3		
SER.F.	1.15	CODE	L	DES	B	CL	F
NEMA-NOM-EFF	84	PF	72				
RATING	40C AMB-CONT						
CC	010A	USABLE AT 208V					
DE	6205	ODE	6205				
ENCL	TEFC	SN					
	IP44						

Parts List		
Part Number	Description	Quantity
SA276259	SA 35X067N945H1	1.000 EA
RA262823	RA 35X067N945H1	1.000 EA
S/P111-000-002	CORONA TEST, SUPER E MOTORS - FT. SMITH	1.000 EA
NS2512A01	INSULATOR, CONDUIT BOX X	1.000 EA
35CB4007	KOBX, AUTOPHORETIC (REL# 79097-49-C)	1.000 EA
35GS3009	GASKET, KOBX 35CB4006 (411881-15A)	1.000 EA
51XB1016A05	10-16X5/16HX WA SL SR TYB (F/S)	2.000 EA
WD4101A13	STEEL CAPLUG,BP-1 1/8, PLUG D3561S	1.000 EA
11XW1032G06	10-32 X .38, TAPTITE II, HEX WSHR SLTD U	1.000 EA
HW5100A05	WVY WSHR F/205 & 304 BRGS	1.000 EA
35EP3300A33	SPL FACE MTD EP -ENCL-205 BRG	1.000 EA
51XN1032A20	10-32 X 1 1/4 HX WS SL SR	2.000 EA
HW1001A10	WASHER, #10 SPLT LK, ZN X	4.000 EA
HW2501D13SP	KEY, 3/16 SQ X 1.375	1.000 EA
BR2003D01	SPLINED HUB 7/8 W/O KEY	1.000 EA
35FN3003A02	EXFN, PLASTIC, 5.88 OD, .876 ID (REL)	1.000 EA
35FH4007A01	FAN CVR SSB (REL# 60200449A)	1.000 EA
51XW1032A06	10-32 X .38, TAPTITE II, HEX WSHR SLTD S	4.000 EA
35CB4519	CB LID RAW & UNPRIMED, REL# 79097-50-B	1.000 EA
35GS3019	GASKET, FOR KOBX LID 35CB4519	1.000 EA
51XW0832A07	8-32 X .44, TAPTITE II, HEX WSHR SLTD SE	4.000 EA
WD4006A01	WIRE JOINT,T&B RB-4 OR RB-44	1.000 EA
HW2501D13SP	KEY, 3/16 SQ X 1.375	1.000 EA
HA7000A04	KEY RETAINER 0.625 DIA SHAFTS	1.000 EA

<b>Parts List (continued)</b>		
<b>Part Number</b>	<b>Description</b>	<b>Quantity</b>
85XU0407S04	4X1/4 U DRIVE PIN STAINLESS	2.000 EA
LB1418	INTEGRAL BRK ADJ LABEL (REL# 41171617A)	1.000 EA
MJ1000A75	GREASE, POLYREX EM EXXON (USe 4824-15A)	0.050 LB
MG1000N49	MUNSELL 8.5BG 3.57/2.0, GLOSS 30, B/G,	0.017 GA
LB1419	CONNECTION LABEL	1.000 EA
HA3100A56	THRUBOLT 10-32 X 8.625	4.000 EA
43BK0300B03	SSB-10-287/575 (205)L-HUB	1.000 EA
LB1424A03	BRAKE VOLT LABEL 287/575V SSB	1.000 EA
LB1119N	WARNING LABEL	1.000 EA
LB1125C01	STD (STOCK) CARTON LABEL BALDOR WITH FLA	1.000 EA
LC0006	CONNECTION LABEL	1.000 EA
MN416A01	TAG-INSTAL-MAINT no wire (1200/bx) 10/13	1.000 EA
NP1372L	ALUM UL CSA CE CC	1.000 EA
36PA1001	PACKAGING GROUP	1.000 EA
PK3082	STYROFOAM CRADLE	1.000 EA

**AC Induction Motor Performance Data**

Record # 45565 - Typical performance - not guaranteed values

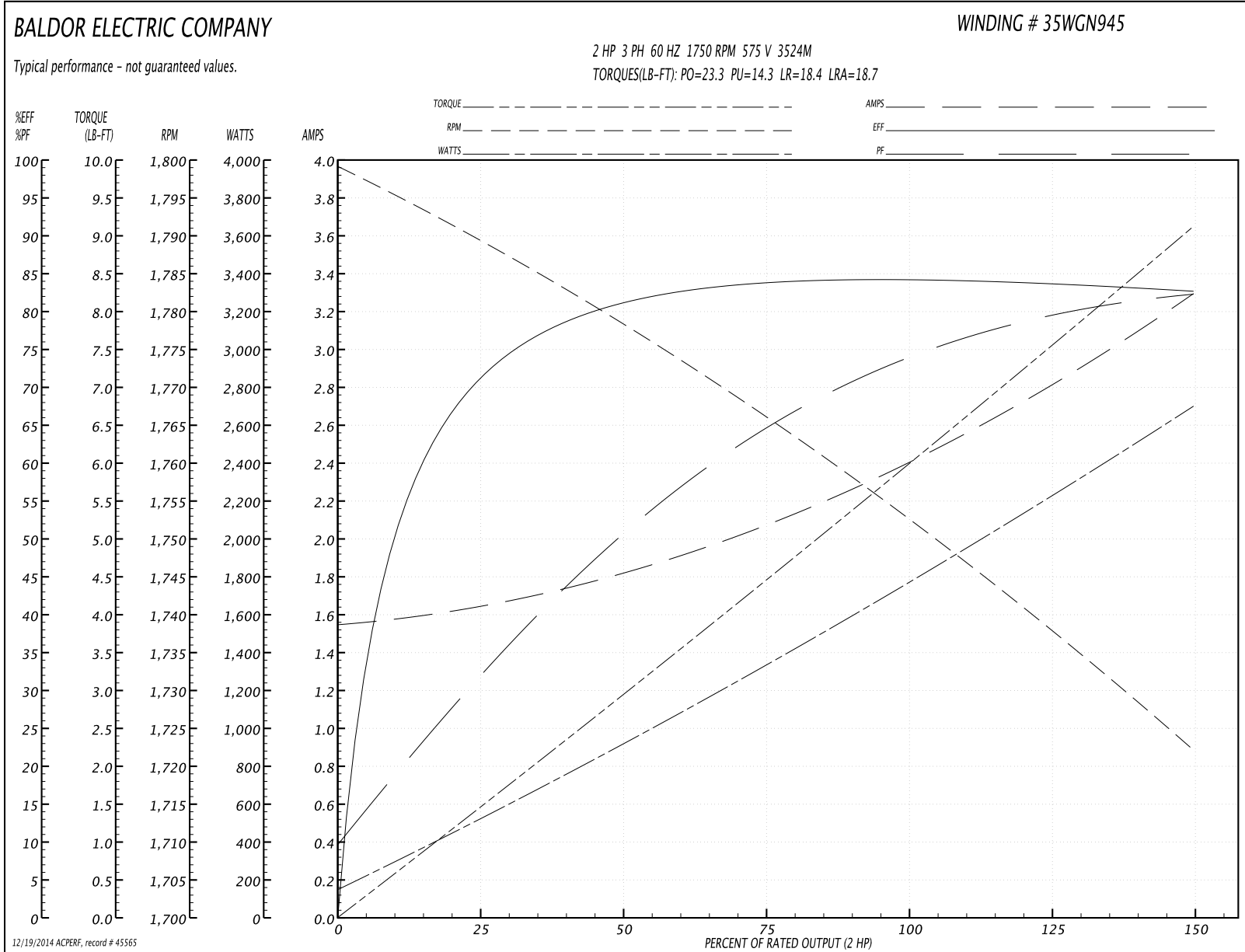
<b>Winding:</b> 35WGN945-R001	<b>Type:</b> 3524M	<b>Enclosure:</b> TEFC
-------------------------------	--------------------	------------------------

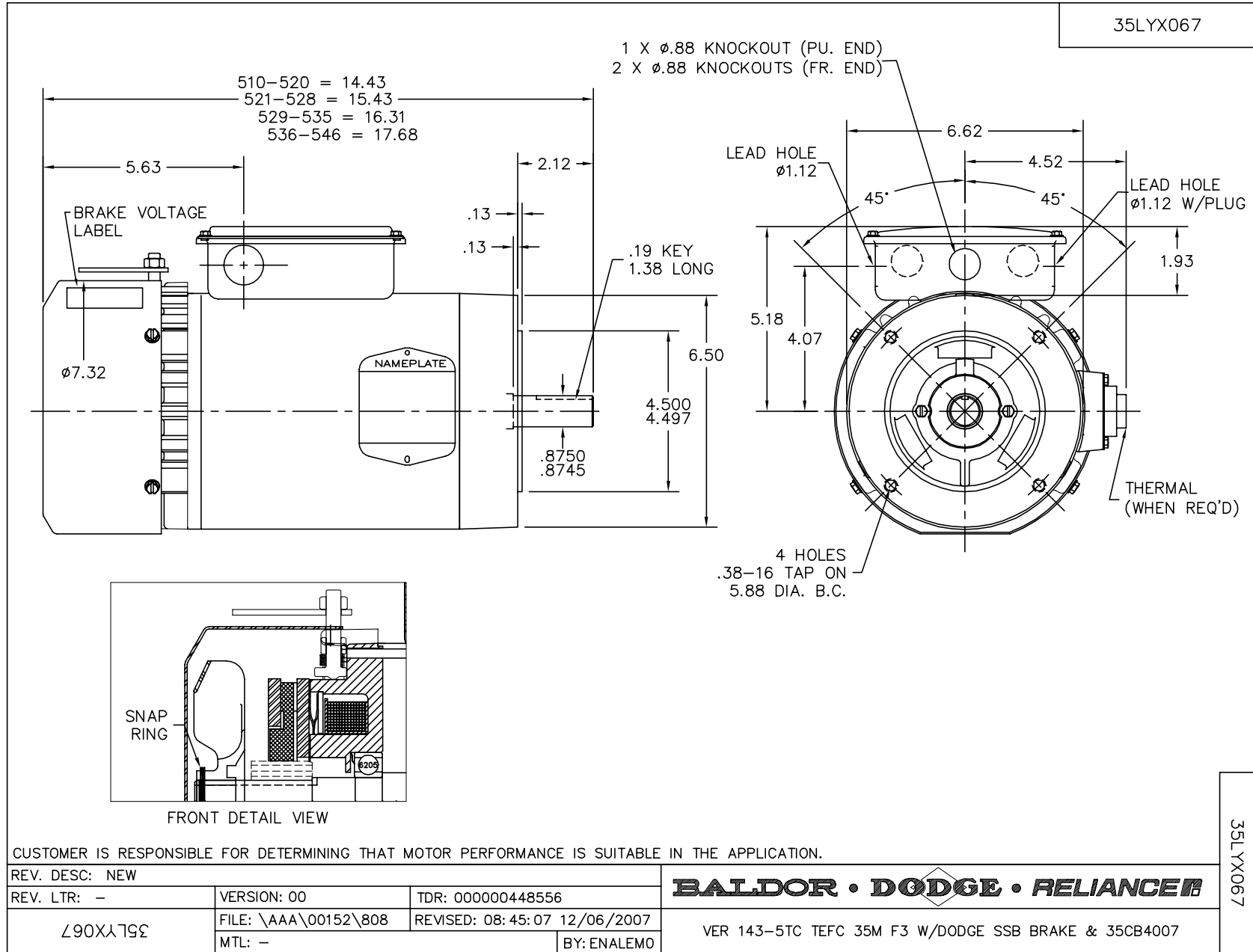
Nameplate Data				575 V, 60 Hz: Single Voltage Motor	
Rated Output (HP)	2			Full Load Torque	5.99 LB-FT
Volts	575			Start Configuration	direct on line
Full Load Amps	2.5			Breakdown Torque	23.3 LB-FT
R.P.M.	1750			Pull-up Torque	14.3 LB-FT
Hz	60	Phase	3	Locked-rotor Torque	18.4 LB-FT
NEMA Design Code	B	KVA Code	L	Starting Current	18.7 A
Service Factor (S.F.)	1.15			No-load Current	1.56 A
NEMA Nom. Eff.	84	Power Factor	72	Line-line Res. @ 25°C	12.6 Ω
Rating - Duty	40C AMB-CONT			Temp. Rise @ Rated Load	72°C
S.F. Amps				Temp. Rise @ S.F. Load	84°C
				Rotor inertia	0.142 LF <sup>2</sup>

Load Characteristics 575 V, 60 Hz, 2 HP

% of Rated Load	25	50	75	100	125	150	S.F.
Power Factor	32	51	64	73	79	83	77
Efficiency	71.2	80.6	83.6	84.5	83.9	82.6	84.1
Speed	1790	1778	1766	1753	1738	1722	1744
Line amperes	1.63	1.8	2.08	2.42	2.81	3.29	2.65

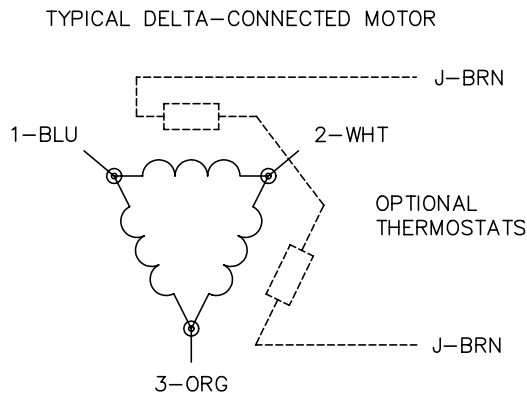
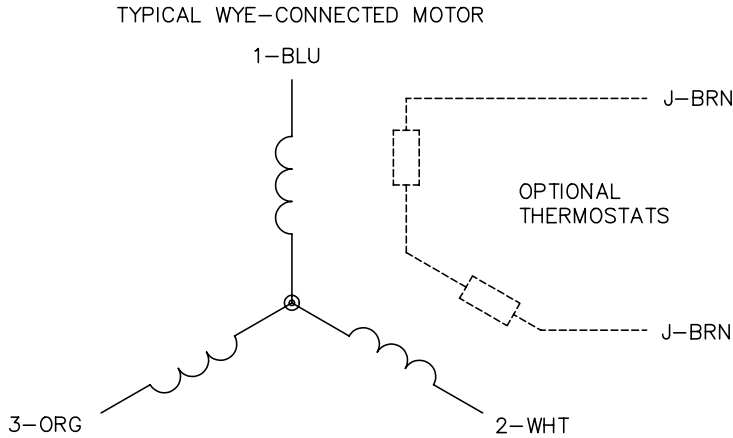
Performance Graph at 575V, 60Hz, 2.0HP Typical performance - Not guaranteed values







CD0006



NOTES:

1. THREE LEAD MOTOR MAY BE EITHER WYE CONNECTED OR DELTA CONNECTED.
2. INTERCHANGE ANY TWO LINE LEADS TO REVERSE ROTATION.
3. OPTIONAL THERMOSTATS ARE PROVIDED WHEN SPECIFIED.
4. ACTUAL NUMBER OF INTERNAL PARALLEL CIRCUITS MAY VARY.
5. LEAD COLORS ARE OPTIONAL. LEADS MUST BE NUMBERED AS SHOWN.

REV. DESC: REVISE TO SHOW OPTIONAL COLORS			
REV. LTR: D	BY: JLP	REVISED: 01/21/99 4:02	TDR: 0171435
9000D		FILE: AAA00005141	MDL: -
		MTL: -	

**BALDOR ELECTRIC Co.**

3PH, SV, 3 LEADS, WYE OR DELTA CONNECTED

CD0006