

# **BALDOR**® • ***RELIANCE***

## **Product Information Packet**

# **VRBM3546T**

**1HP, 1725RPM, 3PH, 60HZ, 143TC, 3436M, TENV, F1**

Part Detail							
Revision:	H	Status:	PRD/A	Change #:		Proprietary:	No
Type:	AC	Prod. Type:	3436M	Elec. Spec:	34WGY158	CD Diagram:	CD0005
Enclosure:	TENV	Mfg Plant:		Mech. Spec:	34K991	Layout:	34LYK991
Frame:	143TC	Mounting:	F1	Poles:	04	Created Date:	12-17-2007
Base:	N	Rotation:	R	Insulation:	F	Eff. Date:	10-30-2014
Leads:	9#18					Replaced By:	
Literature:		Elec. Diagram:					

Nameplate NP1893									
CAT.NO.	VRBM3546T								
SPEC.	34K991Y158								
HP	1								
VOLTS	230/460								
AMPS	3.2/1.6								
RPM	1725								
FRAME	143TC	HZ	60	PH	3				
SER.F.	1.15	CODE	M	DES	B	CL	F		
FL EFF	80	PF	77						
RATING	40C AMB-CONT								
CC	USABLE AT 208V								
DE	6205	ODE	6203						
ENCL	TENV	SER.							
BRAKE 230V									

Parts List		
Part Number	Description	Quantity
SA165970	SA 34K991Y158	1.000 EA
RA154357	RA 34K991Y158	1.000 EA
NS2512A01	INSULATOR, CONDUIT BOX X	1.000 EA
34CB3002A	CB CAST W/.88 DIA HOLE	1.000 EA
34GS1029A01	GASKET, CONDUIT BOX	1.000 EA
51XB1016A07	10-16 X 7/16 HXWSSLD SERTYB	2.000 EA
11XW1032G06	10-32 X .38, TAPTITE II, HEX WSHR SLTD U	1.000 EA
34EP3900T59	FR ENDPLATE, MACH	1.000 EA
HW5100A03SP	WAVY WASHER (W1543-017)	1.000 EA
34EP3903T09	PU ENDPLATE, MACH	1.000 EA
51XN1032A20	10-32 X 1 1/4 HX WS SL SR	2.000 EA
34CB4517	CB LID 4 MTG HOLES .22 DIA STAMPED, FOR	1.000 EA
34GS1031A01	GASKET, FLAT CONDUIT BOX LID (LEXIDE)	1.000 EA
51XW0832A07	8-32 X .44, TAPTITE II, HEX WSHR SLTD SE	4.000 EA
84XN2520J44	1/4-20 X 2 3/4 SOC HD CAP SCREW	4.000 EA
HW2501D01	KEY, 3/16 SQ X 0.438	1.000 EA
HW2501D13SP	KEY, 3/16 SQ X 1.375	1.000 EA
HA7000A01	KEY RETAINER 7/8" DIA SHAFT	1.000 EA
MG1000G27	MED CHARCOAL METALLIC GREY	0.014 GA
MG1500Y02	PRIMER,347.29+347.29C ACTIVATOR WILKOPON	0.014 GA
34SF2110T01	VER EXTRUDED STATOR 34F TENV, MACH FOR K	1.000 EA
HA3100A64	THRUBOLT 10-32 X 9.875	4.000 EA
33BK0043	STEARNS 3-21-85AF0-OB-WG, .625 BORE, 72L	1.000 EA
LB9000B01	WM-B1 WINYL WIRE MARKER	0.027 SH

<b>Parts List (continued)</b>		
<b>Part Number</b>	<b>Description</b>	<b>Quantity</b>
LB9000B02	WM-B2 VINYL WIRE MARKER	0.027 SH
LB1172A01	CUSTOM MTR CARTON LABEL LASER PRINTER	1.000 EA
LB1119N	WARNING LABEL	1.000 EA
LC0005F02	3PH,DV,REV,9 LEAD MTR W/STEARNS 320 BRK	1.000 EA
NP1893	NP W/O THRM, UL, CSA, CC, SELF-ADHESIVE	1.000 EA
27PA1001	PACKAGING GROUP	1.000 EA
MN416A01	TAG-INSTAL-MAINT no wire (1200/bx) 10/13	1.000 EA
PK3083T	STYROFOAM PACKING CRADLE W/TAPE	1.000 EA
LB1506	LABEL "AMERICAN MADE" 1.50 X 1.00	1.000 EA

**AC Induction Motor Performance Data**

Record # 17650 - Typical performance - not guaranteed values

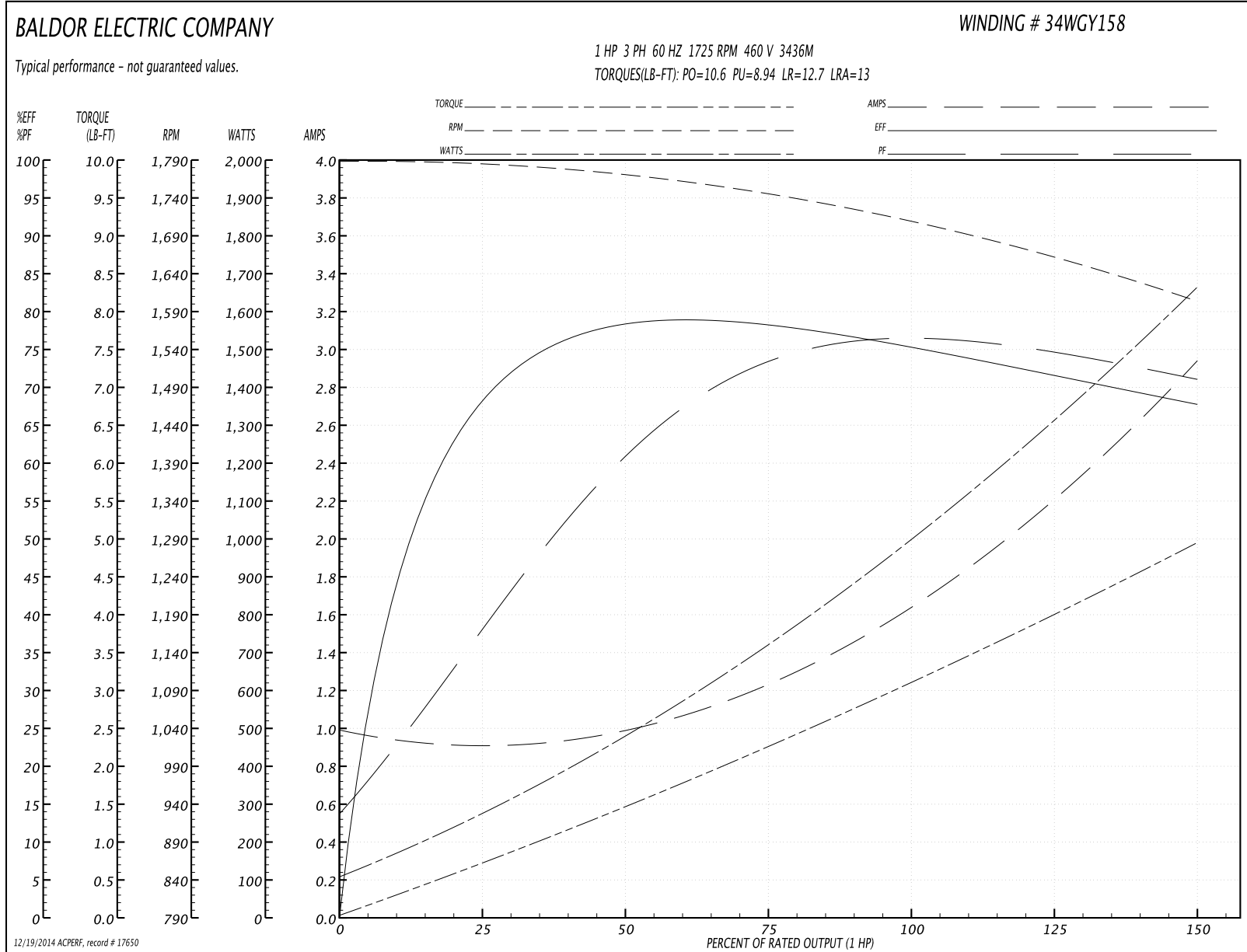
<b>Winding:</b> 34WGY158-R001	<b>Type:</b> 3436M	<b>Enclosure:</b> TENV
-------------------------------	--------------------	------------------------

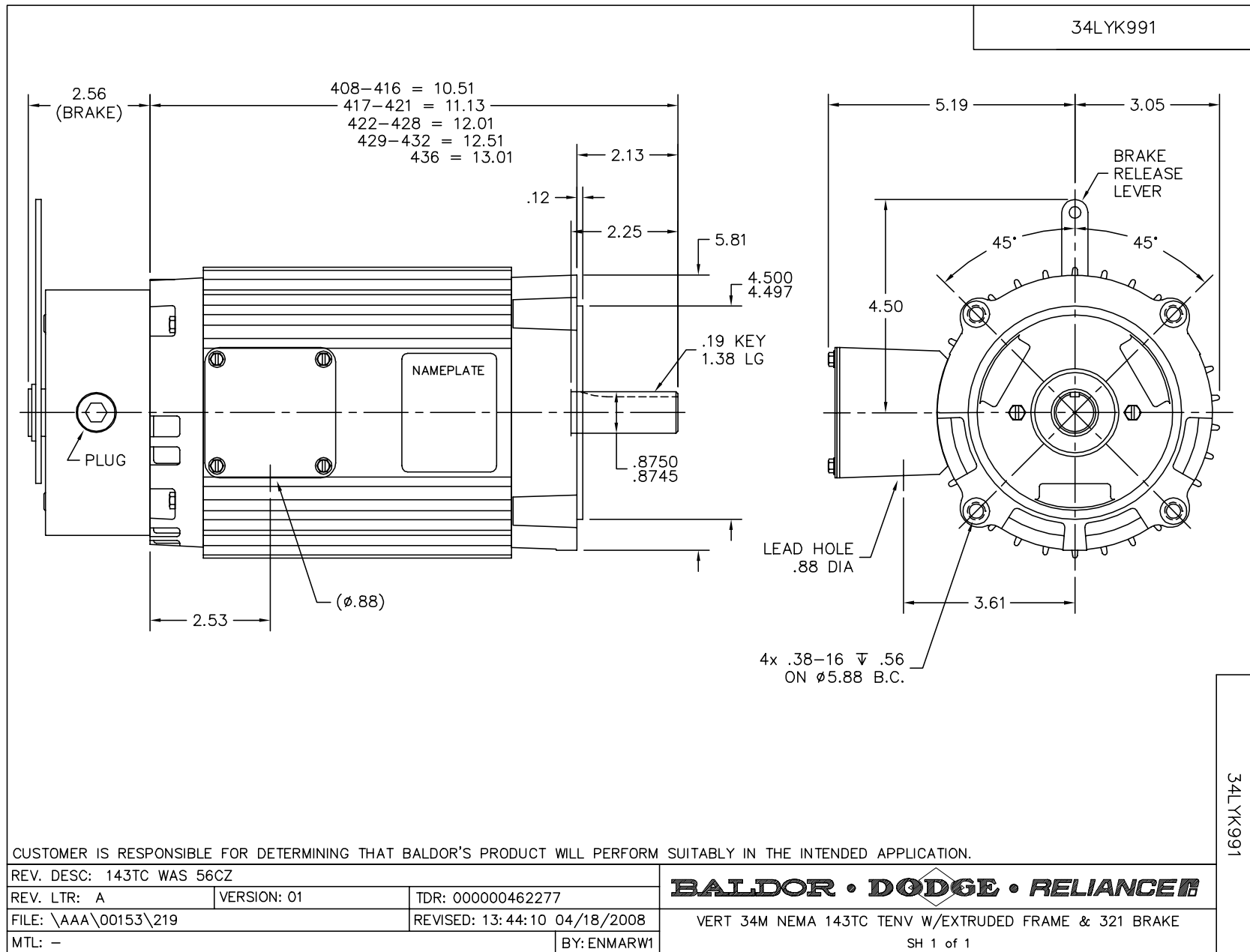
Nameplate Data				460 V, 60 Hz: High Voltage Connection	
Rated Output (HP)	1			Full Load Torque	3.08 LB-FT
Volts	230/460			Start Configuration	direct on line
Full Load Amps	3.2/1.6			Breakdown Torque	10.6 LB-FT
R.P.M.	1725			Pull-up Torque	8.94 LB-FT
Hz	60	Phase	3	Locked-rotor Torque	12.7 LB-FT
NEMA Design Code	B	KVA Code	M	Starting Current	13 A
Service Factor (S.F.)	1.15			No-load Current	0.896 A
NEMA Nom. Eff.	80	Power Factor	77	Line-line Res. @ 25°C	14 Ω
Rating - Duty	40C AMB-CONT			Temp. Rise @ Rated Load	52°C
S.F. Amps				Temp. Rise @ S.F. Load	63°C
				Rotor inertia	0.0857 LF <sup>2</sup>

Load Characteristics 460 V, 60 Hz, 1 HP

% of Rated Load	25	50	75	100	125	150	S.F.
Power Factor	40	58	70	77	83	69	81
Efficiency	72.4	79.8	81.2	80.5	78.9	67.5	79.5
Speed	1777	1759	1739	1716	1691	1585	1701
Line amperes	0.957	1.11	1.32	1.58	1.88	3.14	1.76

Performance Graph at 460V, 60Hz, 1.0HP Typical performance - Not guaranteed values







CD0005



LOW VOLTAGE  
(2Y)



LINE

HIGH VOLTAGE  
(1Y)



LINE

NOTES:

1. INTERCHANGE ANY TWO LINE LEADS TO REVERSE ROTATION.
2. OPTIONAL THERMOSTATS ARE PROVIDED WHEN SPECIFIED.
3. ACTUAL NUMBER OF INTERNAL PARALLEL CIRCUITS MAY BE A MULTIPLE OF THOSE SHOWN ABOVE.
4. LEAD COLORS ARE OPTIONAL. LEADS MUST ALWAYS BE NUMBERED AS SHOWN.

REV. DESC: REVISE TO SHOW OPTIONAL COLORS			
REV. LTR: E	BY: JLP	REVISED: 01/19/99 10:15	TDR: 0171435
900000		FILE: AAA00005140	MDL: -
		MTL: -	

**BALDOR ELECTRIC Co.**

3PH, DV, 9 LEADS

CD0005