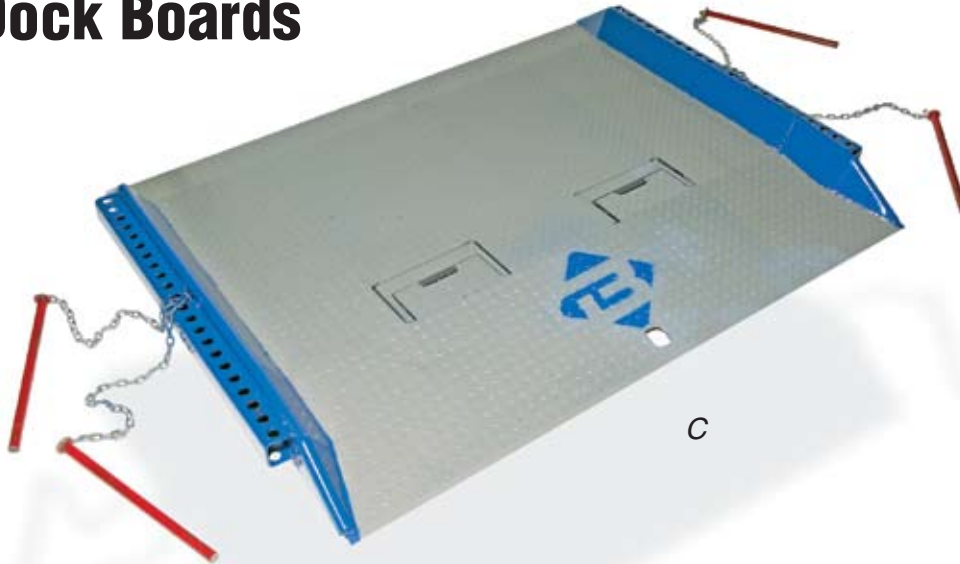




BLUFF
MANUFACTURING, INC.

Red Pin Steel Dock Boards



RED PIN STEEL DOCK BOARD (C)

- For difficult trailer-to-dock positions
- Dual-pin locking system
- All-welded steel construction
- Capacities from 15,000 to 40,000 pounds

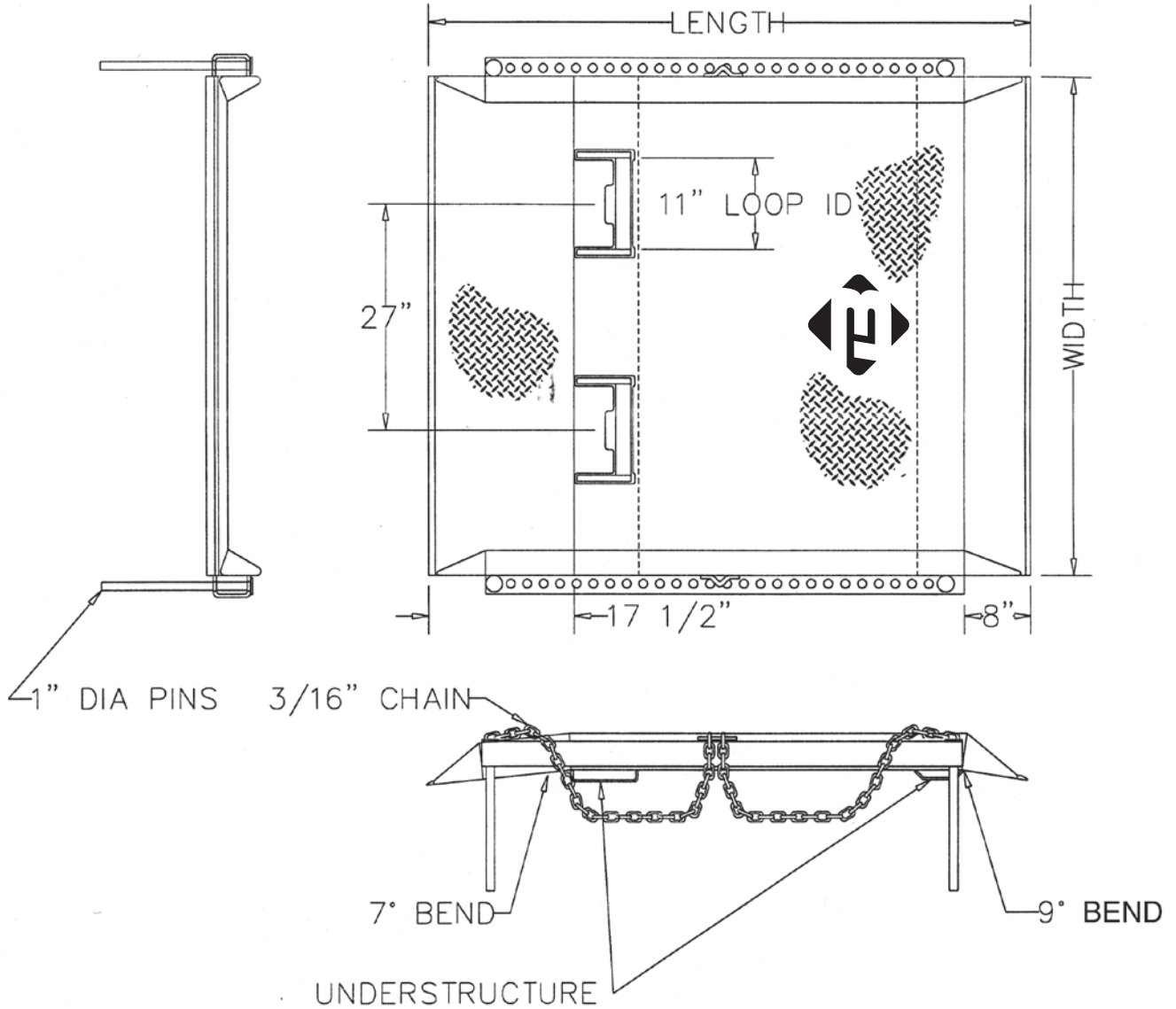
The red pin dock board utilizes full length side pockets along with two locking pins for each side. These pins provide safe loading conditions for container and park-out applications. Widths from 60" to 96". Lengths from 48" to 120".

Manufactured and tested in compliance with
ANSI Standard MH30.2

SERVICE YOU CAN STAND ON

(800) 433-2212 • www.bluffmanufacturing.com • Fax 817-293-7570
1400 Everman Parkway • Suite 156 • Fort Worth, TX 76140

STEEL RED PIN DOCK BOARDS MODEL C



15C6072

_____ LENGTH
 _____ WIDTH
 _____ MODEL
 _____ 15,000 LB CAPACITY

BOARD LENGTH

48"-60"
66"-72"
78"-84"
90"-96"

PIN LENGTH

20"
24"
30"
36"