



**BLUFF**  
MANUFACTURING, INC.

## Wheel Risers

### STEEL AND ALUMINUM WHEEL RISERS (SWR AND AWR)

- Eliminates unsafe, below dock loading conditions
- Reduces damage to loading equipment
- Heights up to 12"

Wheel risers allow trailers to be positioned properly above dock for more efficient loading. Widths of 18" and 24". Lengths to accommodate both single, dual, or tandem axle trailers. Wheel risers can be portable or permanently positioned. Custom sizes are available.

#### STEEL (SWR)

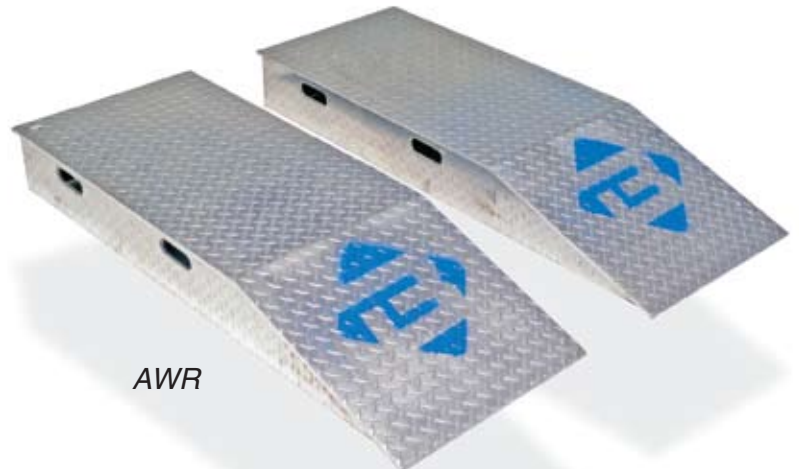
- Tabs for anchoring

#### ALUMINUM (AWR)

- Have hand holds for easy moving.



SWR



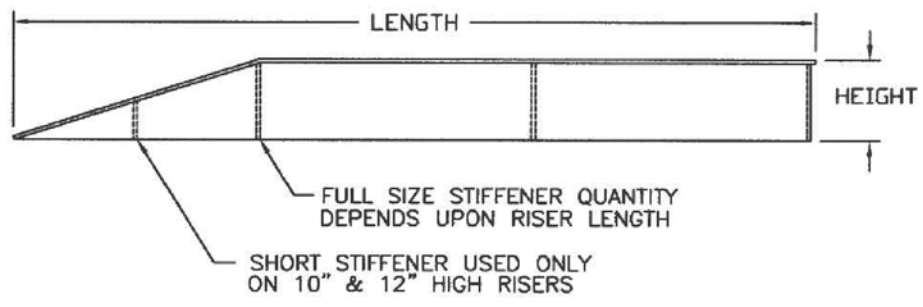
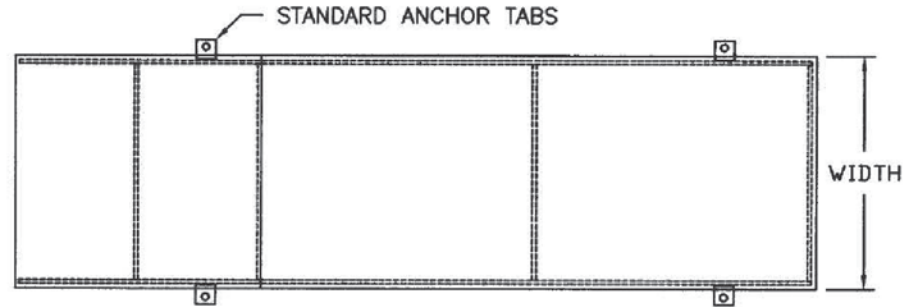
AWR

**SERVICE YOU CAN STAND ON**

(800) 433-2212 • [www.bluffmanufacturing.com](http://www.bluffmanufacturing.com) • Fax 817-293-7570  
1400 Everman Parkway • Suite 156 • Fort Worth, TX 76140

**WHEEL RISERS**  
**MODELS SWR (STEEL) & AWR (ALUMINUM)**

**SWR82454**



**AWR82454**

