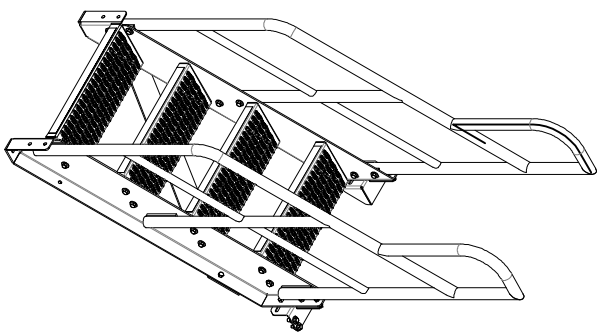
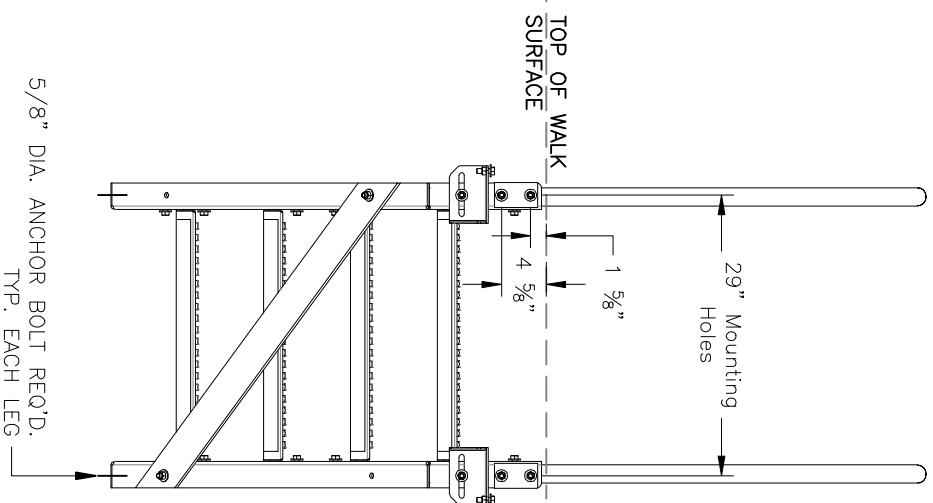
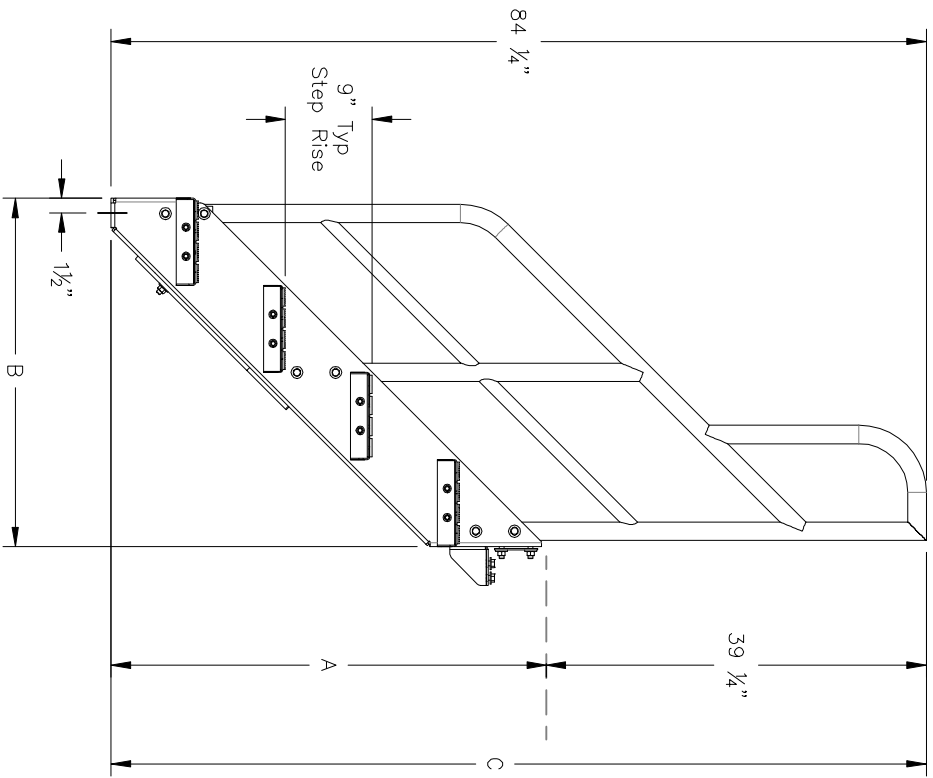


SECTION A-A



	A	B	C	Est. Weight
1-Step	18"	9"	57 1/4"	44 lbs
2-Step	27"	18"	66 1/4"	64 lbs
3-Step	36"	27"	75 1/4"	88 lbs
4-Step	45"	36"	84 1/4"	108 lbs
5-Step	54"	45"	93 1/4"	130 lbs
6-Step	63"	54"	102 1/4"	150 lbs
7-Step	72"	63"	111 1/4"	170 lbs
8-Step	81"	72"	120 1/4"	190 lbs
9-Step	90"	81"	129 1/4"	210 lbs
10-Step	99"	90"	138 1/4"	230 lbs
11-Step	108"	99"	147 1/4"	250 lbs

SAFERACK WELDING STANDARDS
 REAL YIELD UNLESS OTHERWISE NOTED
 USE FILLETS LISTED BELOW UNLESS OTHERWISE NOTED

Material Thickness of Thicker Part (Actual Size)	Minimum Fillet Size - 8 (8/16")
To 1/4"	1/8"
Over 1/4" to 1/2"	3/16"
Over 1/2" to 3/4"	1/4"
Over 3/4"	5/16"



PART NAME:
ERECTASTEP STAIR SPEC SHEET

DESIGNED BY: TKING	DATE: 2010
DRAWN BY:	DATE:
CHECKED BY: KS	DATE: 11/20/10
PROGRAMMED BY:	DATE:
PROGRAMMED CHECKED BY:	DATE:

ALL INFORMATION CONTAINED
 HEREIN IS CONFIDENTIAL &
 PROPRIETARY & MAY NOT BE
 DISCLOSED IN ANY FORM
 WITHOUT PRIOR WRITTEN
 CONSENT OF SAFERACK LOADING
 RACK TECHNOLOGIES

FORM: ALUM
SHEET SCALE:
SHEET: 1 OF 1

DATE	REV	DESCRIPTION	NAME	BY	
	0	RELEASE FOR FABRICATION			
BATCH	DATE	REV	DESCRIPTION	NAME	BY

JOB #	CUSTOMER	ABAS #
--------------	-----------------	---------------