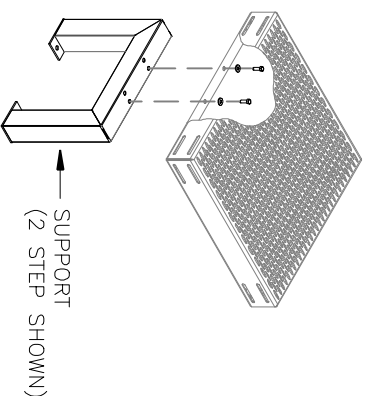
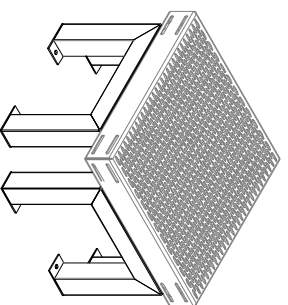


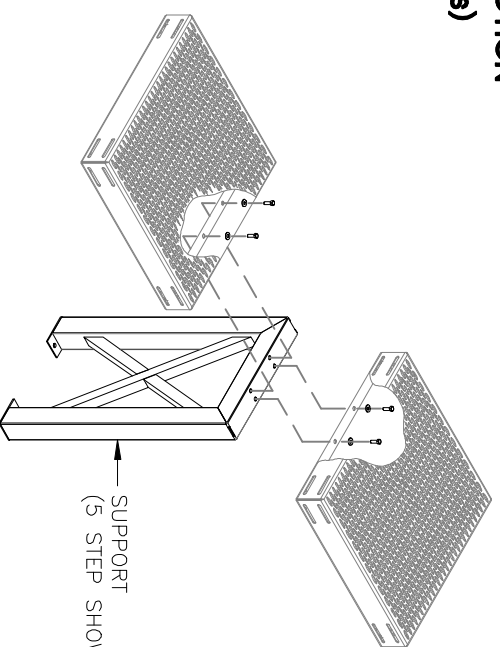
**TYPICAL BOLTED CONNECTION**  
(outside bolting one)



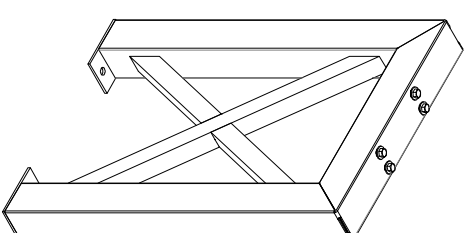
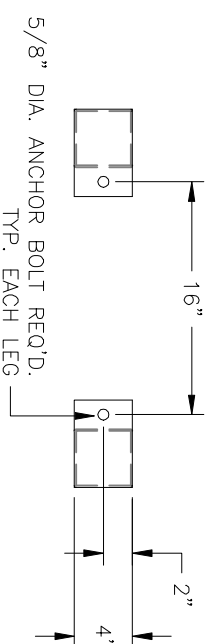
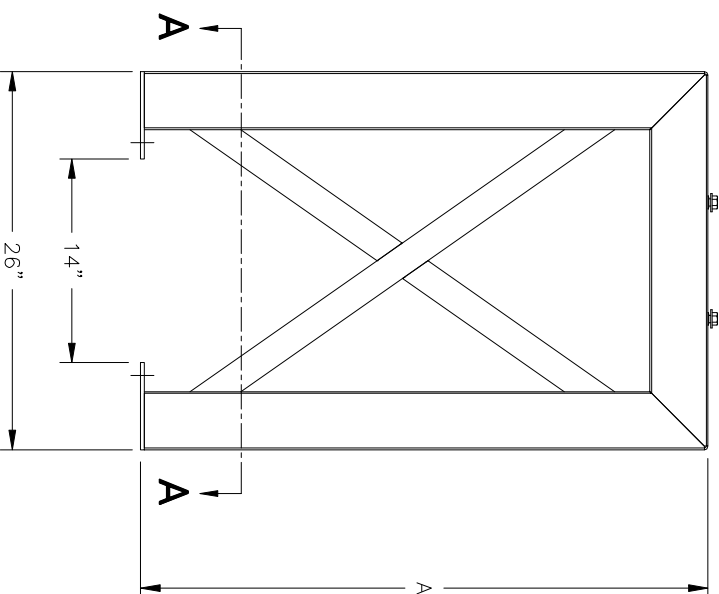
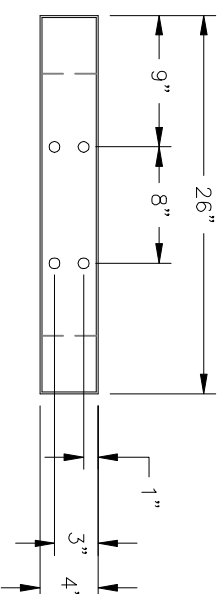
**TYPICAL BOLTED CONNECTION**  
(inside bolting one)



**TYPICAL BOLTED CONNECTION**  
(outside bolting all sides)



**TYPICAL BOLTED CONNECTION**  
(outside bolting two)



	A	Est. Weight
1-Step	12"	13 lbs
2-Step	21"	18 lbs
3-Step	30"	23 lbs
4-Step	39"	28 lbs
5-Step	48"	34 lbs
6-Step	57"	45 lbs
7-Step	66"	50 lbs
8-Step	75"	55 lbs
9-Step	84"	60 lbs
10-Step	93"	65 lbs
11-Step	102"	70 lbs

**SAFERACK WELDING STANDARDS**

SEAL WELD UNLESS OTHERWISE NOTED  
USE FILLETS LISTED BELOW UNLESS OTHERWISE NOTE

Material Thickness Minimum Per Inch of Thickness (Both Sides)	Min. Fillet Size
To 1/4"	1/8"
Over 1/4" to 1/2"	3/16"
Over 1/2" to 3/4"	1/4"
Over 3/4"	5/16"



**PART NAME: ERECTASTEP TOWER SPEC SHEET**

MODELED BY: TKING	DATE: 2010
DRAWN BY:	DATE:
CHECKED BY: KS	DATE: 11/20/10
PROGRAMMED BY:	DATE:
PROGRAMMED CHECKED BY:	DATE:

ALL INFORMATION CONTAINED HEREIN IS CONFIDENTIAL & PROPRIETARY & MAY NOT BE DISCLOSED IN ANY FORM WITHOUT PRIOR WRITTEN CONSENT OF SAVERACK LOADING RACK TECHNOLOGIES

MATERIAL: ALUM
SHEET SCALE: 1 OF 1

DATE	RELEASE FOR FABRICATION	NAME
BATCH DATE	REV DESCRIPTION	BY

JOB # CUSTOMER ABAS #