

CX Mini Hand Chain Hoist

1/4 Ton Capacity

Harrington's CX mini hand chain hoist is the world's smallest industrial hoist. This uniquely compact and lightweight hoist is the perfect choice for jobs with light loads in high or difficult to reach places such as duct installation, plumbing and heating, home automobile maintenance and crane repair.

Many Benefits From More Features:

- Unique design is extremely compact and lightweight
- Aluminum body with steel frame provides superior strength.
- Load limiter prevents the hoist from being used to lift damaging loads beyond rated capacity.
- Very low force is required to lift load.
- Metal chain guide allows smooth operation.
- Effortless to transport, install and store.

Capabilities To Count On:

- Grade 100, nickel-plated load chain is corrosion and wear resistant.
- Durable stainless steel hand chain.
- Strong hook latches include safety tip.
- Available in 10-foot or 20-foot lifts.
- Sold individually or in convenient 4-packs.
- Test certificate verifies that every hoist has been factory load tested to 125% of rated capacity in accordance with ASME B30.16 requirements.

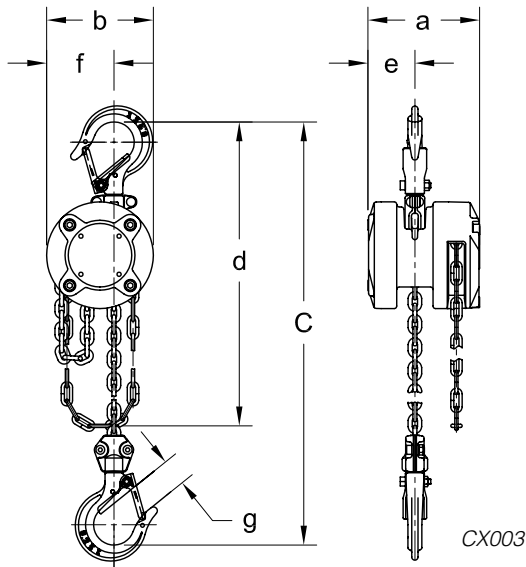


1/4 Ton

CX MINI HAND CHAIN HOIST — SPECIFICATIONS & DIMENSIONS

Cap. (Tons)	Product Code	Headroom C (in)	Std. Lift (ft)	Pull to Lift Load (lbs)	Over-haul Ratio	a (in)	b (in)	d (ft)	e (in)	f (in)	g (in)	Load Chain Diameter (mm) x Chain Fall Lines	Net Weight (lbs)	Shipping Weight Approx. (lbs)	Weight for Additional One Foot of Lift (lbs)
1/4	CX003	8.5	10	33	34	3.5	3.3	6.8	1.5	2.1	0.8	3.2 x 1	5.6	6.1	0.3
1/4	CX003	8.5	20	33	34	3.5	3.3	16.6	1.5	2.1	0.8	3.2 x 1	9.5	10.0	0.3

Weights are approximate.



1/4 Ton CX