

---

# OWNER'S MANUAL

---

## MANUAL CHAIN HOIST CB SERIES

MODEL M3

1/2 Ton through 20 Ton Capacity

Code, Lot and Serial Number

### **⚠ WARNING**

This equipment should not be installed, operated or maintained by any person who has not read and understood all the contents of this manual. Failure to read and comply with the contents of this manual can result in serious bodily injury or death, and/or property damage.

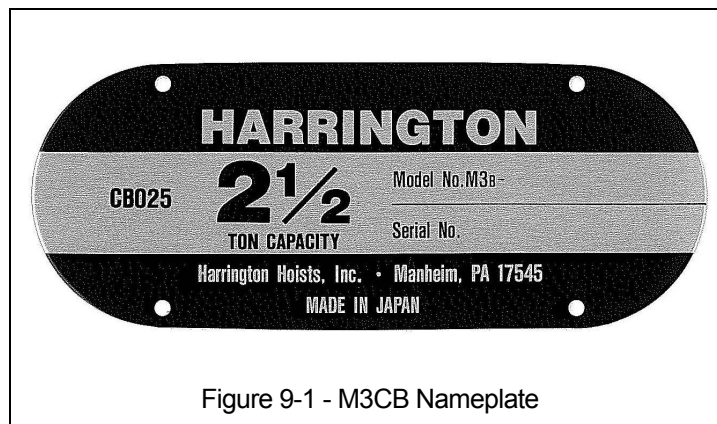
**HARRINGTON**  
HOISTS AND CRANES

**This Page Intentionally Left Blank**

## 9.0 Parts List

When ordering Parts, please provide the Hoist model number, lot number, and serial number located on the Hoist nameplate (see Figure 9-1 below).

Reminder: Per Sections 1.1 and 3.4.4 to aid in ordering parts and product support, record the hoist Code, Lot and Serial Number in the space provided on the cover of this manual.



The parts list is arranged into the following sections:

Section	Page
9.1 1/2 to 20 Ton Parts.....	42
9.2 3 to 20 Ton Parts.....	46
9.3 CB Slip Clutch Device.....	50
9.4 Optional Hooks.....	51
9.5 Optional Chain Containers.....	53

## 9.1 1/2 to 20 Ton Parts

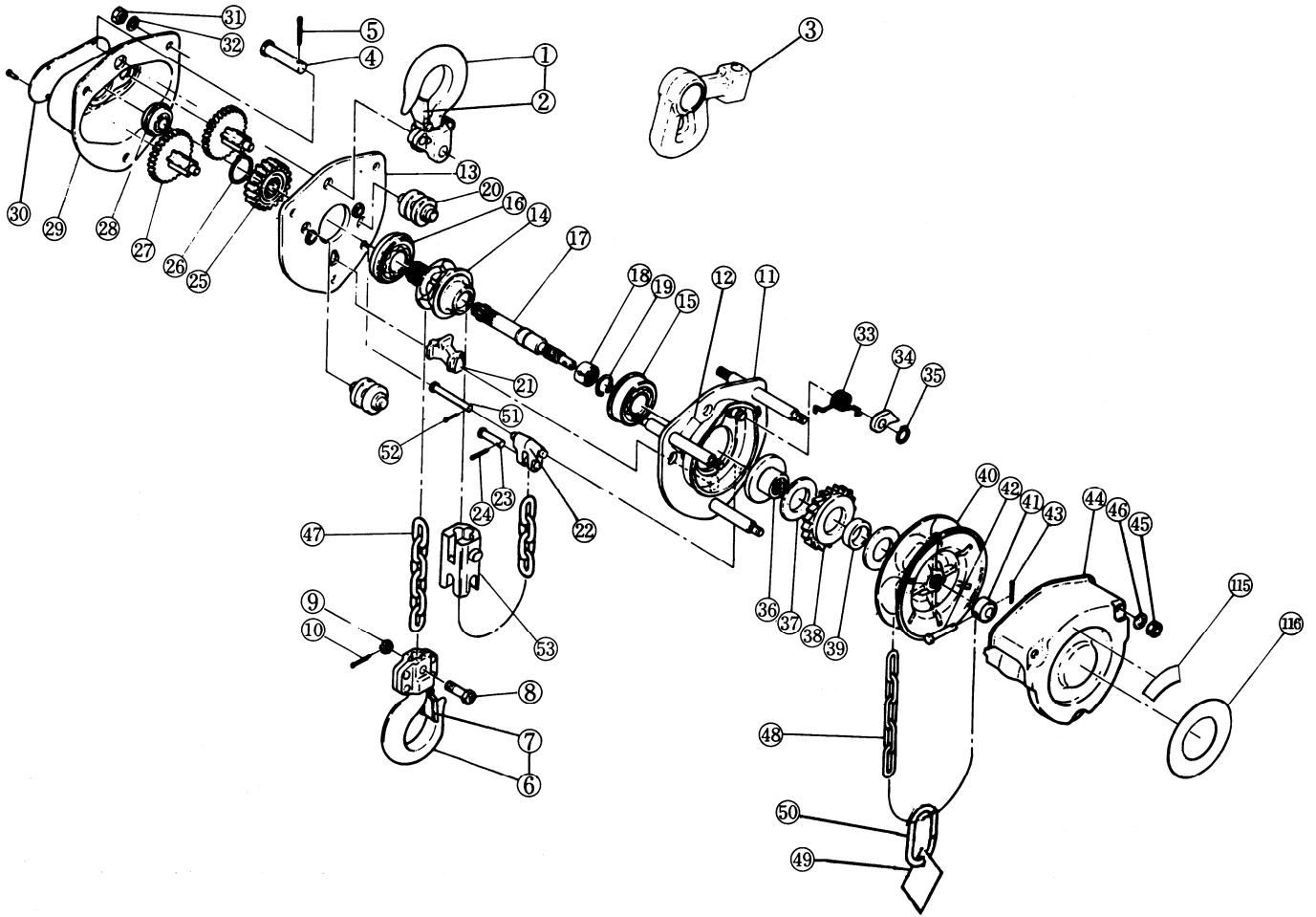


Figure 9-2 – 1/2 to 20 Ton Parts

## 9.1 1/2 to 20 Ton Parts

Fig. No.	Part Name	Qty per Hoist	Capacity (T)					
			1/2	1	1½ & 3	2	2½ - 5 - 8	10 - 15 - 20
*1	Top Hook Set	1	CF001005	CF001010	*CF001015	M3001A020	*M3001A025	
*2	Latch Assembly	1	CF071005	CF071010	*CF071015	CF071020	CF071050	
*3	Suspender G	1	M3003010					
	Suspender	1			M3004015	M3004020	M3004025	
4	Top Pin	1	M3163005	M3163010	M3163015	M3163020	M3163025	
5	Split Pin	1	9009423			9009424		
*6	Bottom Hook Set	1	M3021A005	M3021A010	*M3021A015	M3021A020	*M3021A025	
*7	Latch Assembly	1	CF071005	CF071010	*CF071015	CF071020	*CF071030	
*8	Chain Pin	1	M3041005	M3041010	*M3041015	M3041020	*M3041025	
*9	Slotted Nut	1	M3049005	M2049010	*M2049010	*M2049020		
*10	Split Pin	1	9009402	*9009411		*9009412		
11	Side Plate A Ass'y	1	M3101005	M3101010	M3101015	M3101020	M3101025	
	Side Plate A Ass'y (M3B Model)	1					M3B101025	
12	Nameplate F	1	C3BA0059806					
13	Side Plate B Ass'y	1	M3102005	M3102010	M3102015	M3102020	M3102025	
	Side Plate B Ass'y (M3B Model)	1					M3B102025	
14	Load Sheave	1	M3116005	M3116010	M3116015	M3116020	M3116025	
15	Ball Bearing	1	M3140005			M3140020		
16	Ball Bearing	1	M3145005		M3140005		M3140020	
17	Pinion	1	M3111005	M3111010	M3111015	M3111020	M3111025	
	Pinion (M3B Model)	1					M3B111025	
18	Roller Bearing	1	M3130005			M3130020		
19	Snap Ring	1	M3118005			M3118020		
20	Guide Roller	2	M3161005	M3161010	M3161015	M3161020	M3161025	
21	Stripper	1	M3162005	M3162010	M3162015	M3162020	M3162025	
22	Anchorage	1	M3176005	M3176010	M3176015	M3176020	M3176025	
23	Stopper Pin	1	M3177005	M3177010	M3177015	M3177020	M3177025	
24	Split Pin	1	9009412	9009415-5				
25	Load Gear	1	M3114005	M3114010	M3114015	M3114020	M3114025	
26	Snap Ring	1	9047123		9047128		9047132	
27	Gear No. 2 Ass'y	1	M3112005					
	Gear No. 2 Ass'y (M3B Model)	2		M3112010	M3112015	M3112020	M3112025	
28	Ball Bearing	1	M3135005			M3135020		
29	Gear Case Ass'y	1	M3103005	M3103010	M3103015	M3103020	M3103025	
30	Nameplate B w/ Rivets	1	M3800005	M3800010	*M3800015	M3800020		
	Nameplate B w/ Rivets (M3B Model)						*M3800025	
31	Nut	3	9093424			9093427	9093433	

\*Part number applies to 1½ or 2½ Ton capacities only. See additional parts list for 3, 5, and 8 Ton capacities.

## 9.1 1/2 to 20 Ton Parts

Fig. No.	Part Name	Qty per Hoist	Capacity (T)					
			1/2	1	1½ & 3	2	2½ - 5 - 8	10 - 15 - 20
32	Spring Washer	3	9012711			9012712	9012713	
33	Pawl Springs Assembly	1	C3BA0055179					
34	Pawl	1	M3155005					
35	Snap Ring	1	9047110					
36	Friction Disc	1	M3153005			M3153020		
	Friction Disc (M3B Model)						M3B153025	
37	Friction Plate	2	M3151005			M3151020		
	Friction Plate (M3B Model)						M3B151025	
38	Ratchet Disc	1	M3152005			M3152020		
	Ratchet Disc (M3B Model)						M3B152025	
39	Bushing	1	M3154005			M3154020		
	Bushing (M3B Model)						M3B154025	
40	Hand Wheel	1	M3115005		M3115015	M3115020	M3115025	
	Hand Wheel (M3B Model)						M3B115025	
41	Wheel Stopper	1	CF159005			CF159010		
42	Wheel Stopper Pin	1	M2167005					
43	Split Pin	1	9009410					
44	Wheel Cover Ass'y	1	M3171005		M3171015	M3171020	M3171025	
45	Nut	3	9093424					
46	Spring Washer	3	9012711					
47	Load Chain	1@ ft.	LCCF005	LCCF010	LCCF015	LCC3020	LCC3025	
48	Hand Chain	1@ ft.	HCCF005					
49	Warning Tag	1	WTAG9					
50	Chain Stopper Link	1	L4045030					
115	Slip Clutch Label	1	C3YU0059802			C3YU0209802		
116	Harrington Label	1	M3700005		M3700015	M3700020	M3700025	

\*Part number applies to 1½ or 2½ Ton capacities only. See additional parts list for 3, 5, and 8 Ton capacities.

**This Page Intentionally Left Blank**





## 9.2 3 to 20 Ton Parts

Fig. No.	Part Name	Qty per Hoist	Capacity (T)				
			3	5	8	10	15
51	End Pin	1				M3B164100	
52	Split Pin	1				9009415-5	
53	Cross Guide	1				M3B176100	
54	Top Hook Set	1	M3001A030	M3001A050	M3001A075	M3001A100	M3001A150
		2					
55	Top Hook	1				M3001150	M3001200
	Top Hook Ass'y	1			L42001090		
56	Latch Assembly	1	CF071030	M3072050	L41071090	M3072150	M3072200
57	Idle Sheave Ass'y	1			M3051050		
		2				M31051150	
		3					
58	Shaft Assembly	1			M3053050		
59A	Top Yoke A	1			M3011075	M3011100	M3016150
59B	Top Yoke B	1			M3012075	M3012100	M3017150
60	Socket Bolt	3			90912116		
		1				90912116	
61	Lever Nut	3			L4082090		
		1				L4082090	
-	Socket Bolt	2				M3086100	
-	U-Nut	2				9098516	
62	Top Susp. Shaft	2				M3010150	M3010200
63	Top Yoke	2				M3011200	
64	Top Plate A Assembly	1				M35012150	
		2					
-	Top Plate B	1				M3014150	
65	Guide	4				M3018150	
		6					
66	Stay Bolt	2				M3019150	M3019200
-	Top Plate	1				M3043150	
67	Top Shaft	1				M3053150	M3053200
68	Key Plate	2				M2056150	
-	Collar	2				M3066150	
70	Socket Bolt	4				9091270	
71	Nut	4				9093458	
72	Nut	4				9093445	
73	Spring Washer	4				9012711	
74	Spring Washer	4				9012717	
75	Spring Washer	4				9012721	

## 9.2 3 to 20 Ton Parts

Fig. No.	Part Name	Qty per Hoist	Capacity (T)					
			3	5	8	10	15	20
77	Bottom Hook Set	1	M3021A030	M3021A050	M3021A075	M3021A100	M3021A150	M3021A200
78	Bottom Hook	1					M3021150	M3021200
	Bottom Hook Assembly	1	M3021030	M3021050	L42001090			
80	Latch Assembly	1	CF071030	M3072050	L41071090		M3072150	M3072200
81	Idle Sheave Assembly	1	CF051030	M3051050				
		2				M3051050		
		3					M31051150	
		4						M31051150
82	Shaft Assembly	1	CF053030	M3053050				
	Bottom Shaft Assembly	1				M3054100		
83	Bottom Yoke Assembly	1	M3031030	M3031050	M3031075	M3031100		
84	Socket Bolt	2	9091296		90912116	M3088100		
		3		9091296				
85	Lever Nut	2	L4082060		L4082090			
		3		L4082060				
	U-Nut	2				9098516		
86	Guide	6					M3018150	
		8						M3018150
87	Hook Support	2				M3026150	M3026200	
88	Bottom Yoke	1					M3030150	M3030200
89	Bottom Plate A	1					M3034150	
		2						M3034200
90	Bottom Plate B	1				M3035150	M3035200	
91	Bottom Plate C	1					M3036200	
92	Stay Bolt	4				M3038150	M3038200	
93	Collar A	2					M3039200	
94	Collar B	4					M3040200	
95	Bottom Shaft	1				M3054150	M3054200	
96	Key Plate	2					M2056150	
97	Washer A	2					M3058200	
98	Collar	4					M3066200	
99	Nameplate A w/ Rivets	1				M3069150	M3069200	
100	Socket Bolt	4					9091270	
101	Nut	8					9093445	
102	Spring Washer	4					9012711	
103	Spring Washer	8					9012717	
104	Tongued Washer	4				M3091150		
105	Bolt	4					9093350	

## 9.2 3 to 20 Ton Parts

Fig. No.	Part Name	Qty per Hoist	Capacity (T)				
			3	5	8	10	15
106	Chain Pin	1	M3041030	M3041075			
107	Slotted Nut	1	M2049010	M2049020			
108	Split Pin	1	9009411	9009412			
109	Nameplate B w/ Rivets	1	M3800030		M3800080	M3800030	
	Nameplate B w/ Rivets (M3B Model)	1		M3800050		M3B800100	M3B800150
		2					
110	Load Chain	1@ ft.	LCCF015	LCC3025			
111	Hand Chain	1@ ft.	HCCF005				
		2@ ft.					HCCF005
112	Warning Tag	1	WTAG9				
		2					WTAG9
113	Chain Stopper Link	1	L4045030				
		2					L4045030
114	Stopper Assembly	1				M3045100	
		2					M3045100

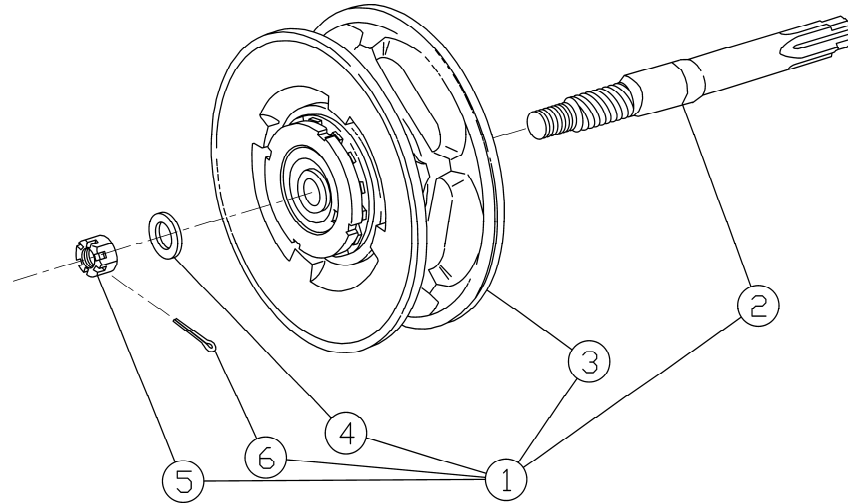


Figure 9-4 Slip Clutch

FIG NO.	PART NAME		QTY	CAPACITY					
				1/2 T	1 T	1 1/2 & 3 T	2 T	2 1/2-5 T	8-10-15-20 T*
1	OLL ASSEMBLY	M3	1	M3CB005OD	M3CB010OD	M3CB015OD	M3CB020OD	M3CB025OD	
		M3B						M3B025OD	
2	PINION	M3	1	C3YA111005	C3YA111010	C3YA111015	C3YA111020	C3YA111025	
		M3B						C3BYA111025	
3	HAND WHEEL	M3	1	C3YA1115005	C3YA1115010	C3YA1115015	C3YA1115020	C3YA1115025	
		M3B						C3BYA1115025	
4	WASHER	M3	1	C3YA208005			C3YA208020		
		M3B						C3YA208020	
5	NUT (left hand thread)	M3	1	C3YA209005			C3YA209020		
		M3B						C3YA209020	
6	Split Pin	M3	1	9009415			9009417		
		M3B						9009417	

\*20 Ton capacity requires Quantities of 2.

## 9.4 Optional Hooks

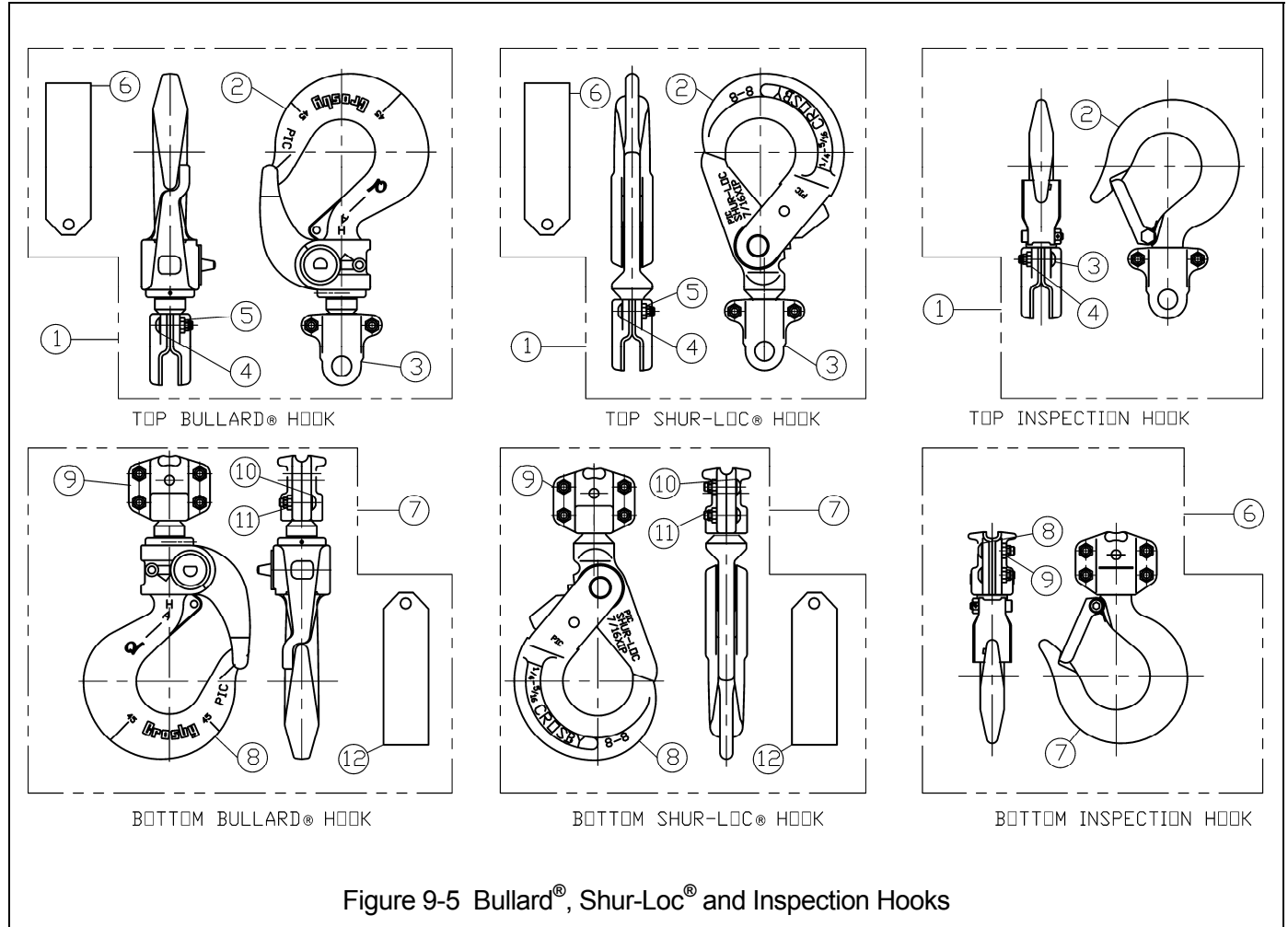


Figure 9-5 Bullard®, Shur-Loc® and Inspection Hooks

### Bullard® Hooks

Fig. No.	Name	Parts Per Hoist	½ T	1T	1½T	2T	2½T	3T	5T	
1	Bullard® Top Hook Complete Set	1	6027601	6027602	6027603	6027604	6027605			
2	Bullard® Hook Assembly	1	60160	60162	60164	60165	60166			
3	Top Yoke Kit	1	TYKITCB005	TYKITCB010	TYKITCB015	TYKITCB020	TYKITCB025			
4	Button Head Screw	2	9012601		9012602					
5	Flexloc® Nut	2	9012603		9012604					
6	Warning Tag	1	WTAG6*							
7	Bullard® Bottom Hook Complete Set	1	6027801	6027802	6027803	6027804	6027806	6027807	6027808	
8	Bullard® Hook Assembly	1	60160	60162	60164	60165	60166	60168	60169	
9	Bottom Yoke Kit	1	BYKITCB005	BYKITCB010	BYKITCB015	BYKITCB020	BYKITCB025			
10	Button Head Screw	4	9012601		9012602					
11	Flexloc® Nut	4	9012603		9012604					
12	Warning Tag*	1	WTAG6*							

\*Hoist with Bullard® Hook(s) must have WTAG6 and WTAG9 installed. (See page 6 for WTAG9).

## 9.4 Optional Hooks

### Shur-Loc® Hooks

Fig. No.	Name	Parts Per Hoist	½T	1T	1½T	2T	2½T
1	Shur-Loc® Top Hook Complete Set	1	6030201	6030202	6030203	6030204	6030205
2	Shur-Loc® Hook Assembly	1	60140	60142	60144	60145	60146
3	Top Yoke Kit	1	TYKITCB005	TYKITCB010	TYKITCB015	TYKITCB020	TYKITCB025
4	Button Head Screw	2	9012601		9012602		
5	Flexloc® Nut	2	9012603		9012604		
6	Warning Tag	1	WTAG6*				
7	Shur-Loc® Bottom Hook Complete Set	1	6030101	6030102	6030103	6030104	6030106
8	Shur-Loc® Hook Assembly	1	60140	60142	60144	60145	60146
9	Bottom Yoke Kit	1	BYKITCB005	BYKITCB010	BYKITCB015	BYKITCB020	BYKITCB025
10	Button Head Screw	4	9012601		9012602		
11	Flexloc® Nut	4	9012603		9012604		
12	Warning Tag	1	WTAG6*				

\*Hoist with Shur-Loc® Hook(s) must have WTAG6 and WTAG9 installed. (See page 6 for WTAG9).

### Inspection Hooks

Fig. No.	Name	Parts Per Hoist	½ T	1T	1½T	2T	2½T
1	Top Hook Complete Set	1	M3001A005IK	M3001A010IK	M3001A015IK	M3001A020IK	M3001A025IK
2	Hook W/Latch & Yoke	1	M3001A005IH	M3001A010IH	M3001A015IH	M3001A020IH	M3001A025IH
3	Button Head Screw	2	9012601		9012602		
4	Flexloc® Nut	2	9012603		9012604		
6	Bottom Hook Complete Set	1	M3021A005IK	M3021A010IK	M3021A015IK	M3021A020IK	M3021A025IK
7	Hook W/Latch & Yoke	1	M3021A005IH	M3021A010IH	M3021A015IH	M3021A020IH	M3021A025IH
8	Button Head Screw	2	9012601		9012602		
9	Flexloc® Nut	2	9012603		9012604		

### 9.5 Optional Chain Containers

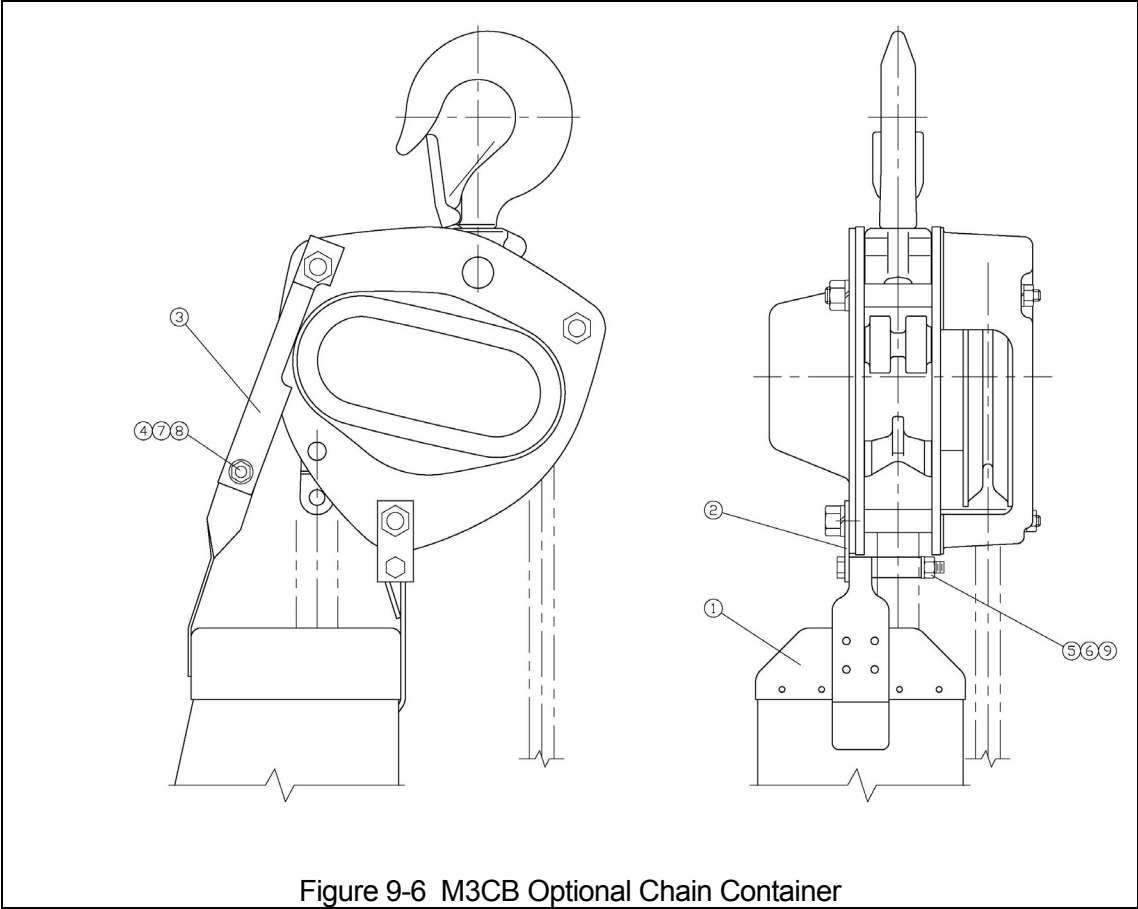


Figure 9-6 M3CB Optional Chain Container

#### CF4 OPTIONAL CHAIN CONTAINERS

Fig. No.	Name	Parts Per Hoist	½T	1T	1½T	2T	2½T	3T	5T
	"05" Chain Container (BKC1) Assembly	1		60461		60463		60461	60463
1	Chain Container	1		50545		50545		50545	50545
2	Front Hanger Ass'y	1		5048305		5048305		5048305	5048305
3	Back Hanger	1		5048304		50940		5048304	50940
4	Washer	2		9012513		9012513		9012513	9012513
5	Nut	1		9093424		9093424		9093424	9093424
6	Lock Washer	1		9005310		9005310		9005310	9005310
7	Hex Head Bolt	1		9093327		9093327		9093327	9093327
8	Lock-Nut	1		9098506		9098506		9098506	9098506
9	Spacer	1				5048301			5048301
	"10" Chain Container (BKD1) Assembly	1		60462		60464		60462	60464
1	Chain Container	1		30090		30090		30090	30090
2	Front Hanger Ass'y	1		5048305		5048305		5048305	5048305
3	Back Hanger	1		5048304		50940		5048304	50940
4	Washer	2		9012513		9012513		9012513	9012513
5	Nut	1		9093424		9093424		9093424	9093424
6	Lock Washer	1		9005310		9005310		9005310	9005310
7	Hex Head Bolt	1		9093327		9093327		9093327	9093327
8	Lock-Nut	1		9098506		9098506		9098506	9098506
9	Spacer	1				5048301			5048301

## NOTES



## NOTES