
OWNER'S MANUAL

MANUAL TROLLEY TF2/TS2 SERIES

1/2 Ton through 5 Ton Capacity

Code, Lot and Serial Number

WARNING

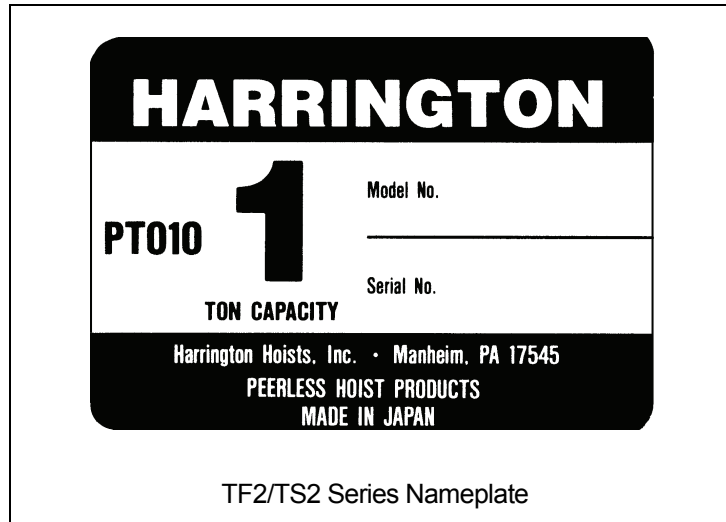
This equipment should not be installed, operated or maintained by any person who has not read and understood all the contents of this manual. Failure to read and comply with the contents of this manual can result in serious bodily injury or death, and/or property damage.

HARRINGTON
HOISTS AND CRANES

8.0 1/2 to 5 Ton Parts List

When ordering Parts, please provide the Hoist code number, lot number and serial number located on the Hoist nameplate (see fig. below).

Reminder: Per sections 1.1 and 3.5.1 to aid in ordering Parts and Product Support, record the Hoist code number, lot number and serial number in the space provided on the cover of this manual.

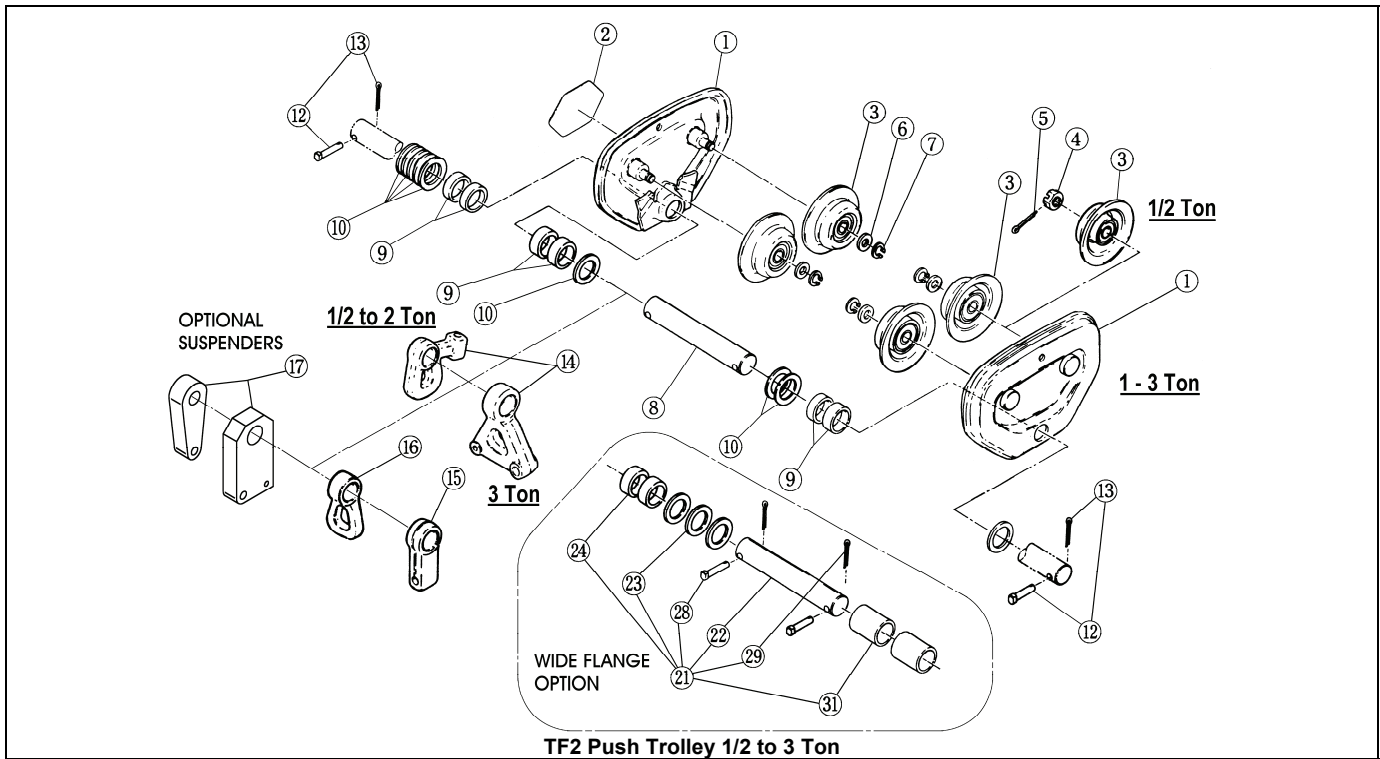


The parts list is arranged into the following sections:

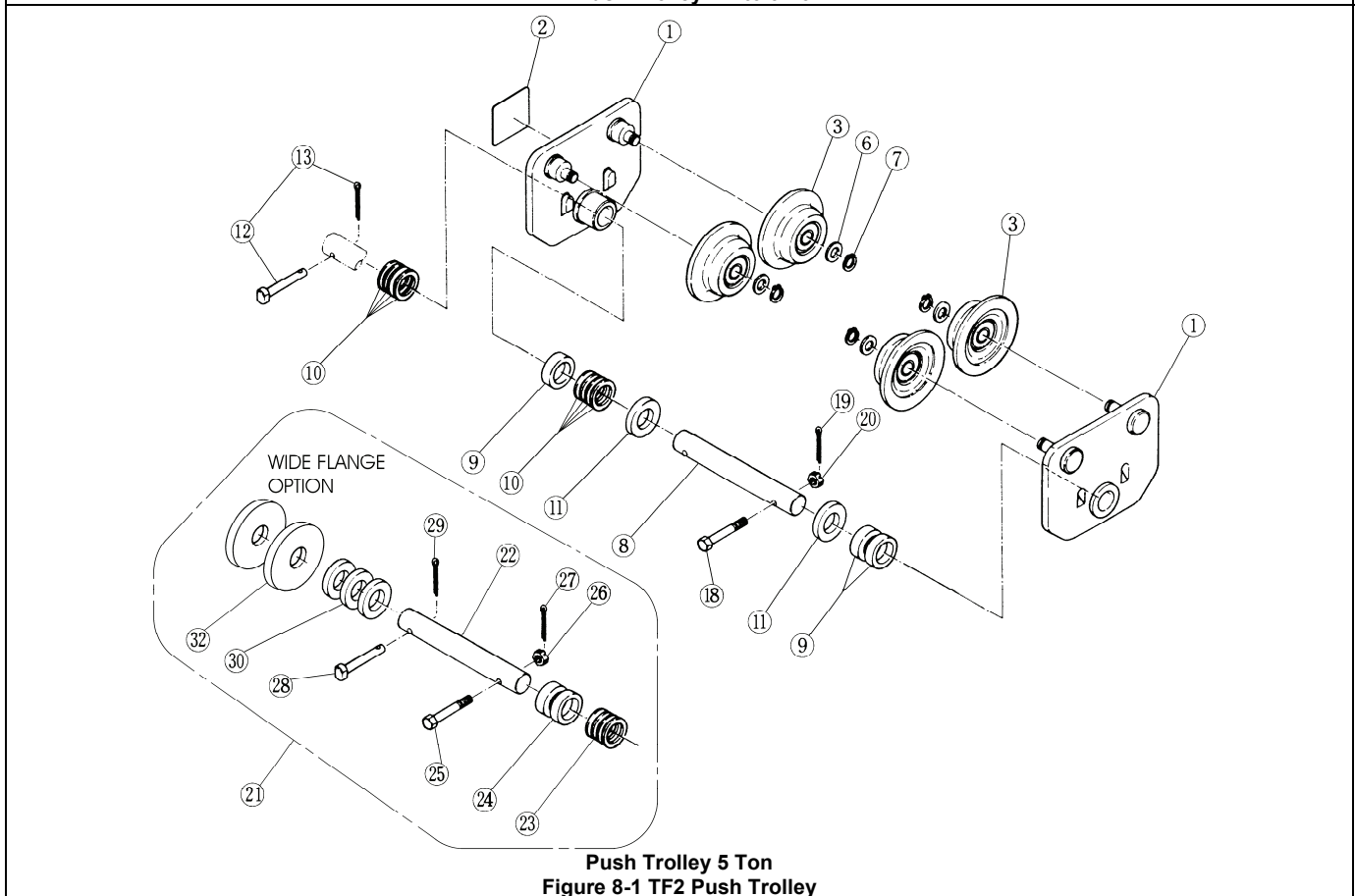
Section	Page
8.1 TF2 Push Trolley Parts.....	46
8.2 TF2 Geared Trolley Parts.....	48
8.3 TS2 Push Trolley Parts.....	50
8.4 TS2 Geared Trolley parts.....	52

In the column "Parts Per Trolley" a designator is used for parts that apply only to a particular model or option. Refer to Section 2 for TF2/TS2 Trolley model numbers and additional descriptions.

8.1 TF2 Push Trolley Parts



TF2 Push Trolley 1/2 to 3 Ton



Push Trolley 5 Ton
Figure 8-1 TF2 Push Trolley

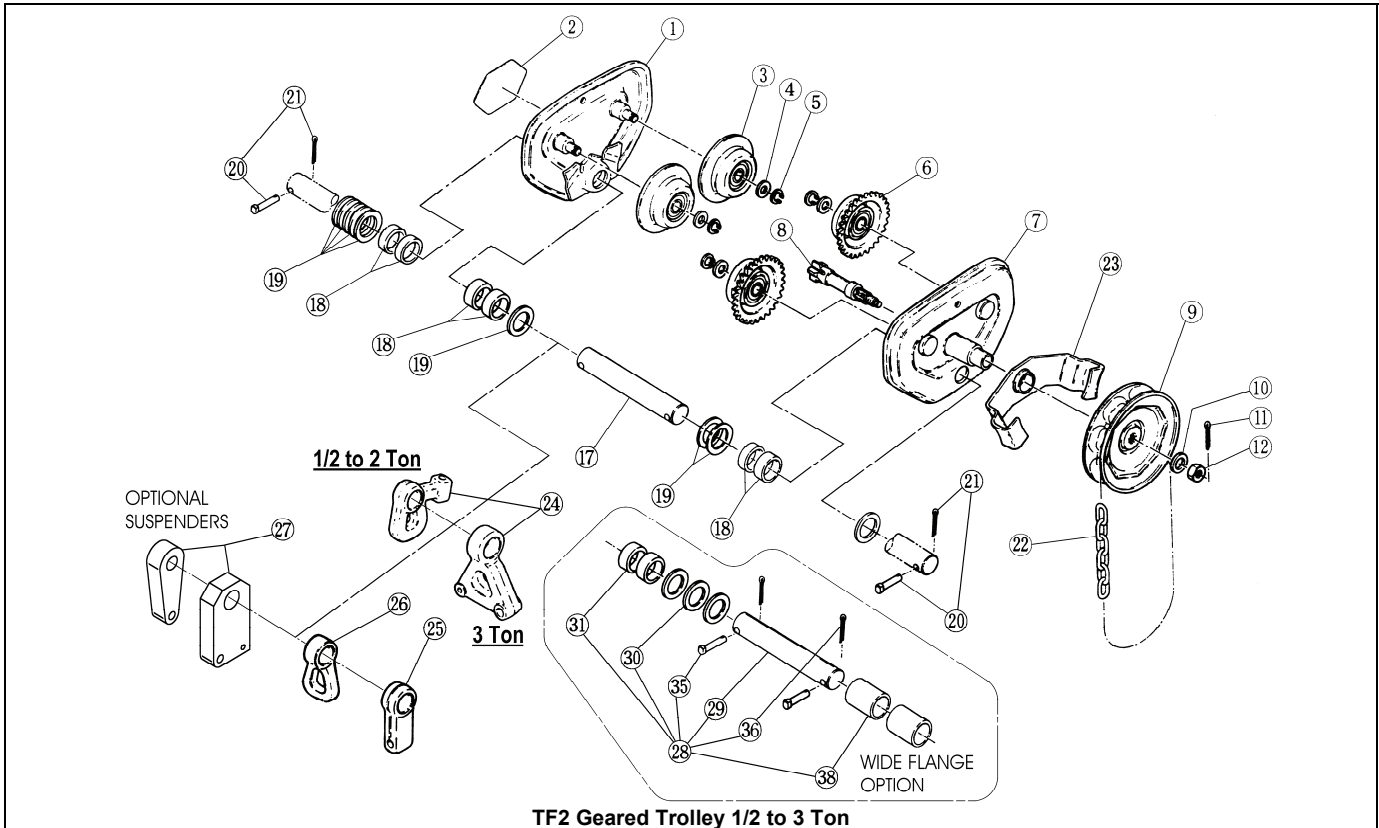
8.1 TF2 Push Trolley Parts

Figure No.	Part Name	Parts Per Trolley	1/2 Ton	1 Ton	2 Ton	3 Ton	5 Ton
1	Side Plate S Assembly	2	T6G5112005	T6G5112010	T6G5112020	T6G5112030	T3P110050
2	Name plate B	1	T6G800005P	T6G800010P	T6G800020P	T6G800030P	T3P800050
3	Track wheel S Assembly	4	T6G5102005	T6G5102010	T6G5102020	T6G5102030	T3P1102050
4	Slotted nut	4	L3183008				
5	Split pin	4	9009413				
6	Track wheel washer	4		MS104010	MS104020	MS104030	MS104050
7	Snap ring	4		9047115	9047120	9047125	9047135
	Suspension shaft assembly Standard	1	T7G1115005	T7G1115010	T7G1115020	T7G1115030	T6G1115050
8	Suspension shaft	1	T7G1115005	T7G1115010	T7G1115020	T7G1115030	T6G1115050
9	Thick spacer (qty)	X	T7G116005(4)	T7G116010(6)	T7G116020(6)	T7G116030(9)	T6G116050(3)
10	Thin spacer (qty)	X	T7G117005(10)	T7G117010(9)	T7G117020(8)	T7G117030(11)	T6G120050(8)
11	Thin Spacer L	2					T6G119050
12	Shaft stopper pin	2*	T6G156005	T6G156010	T6G156020	MS164020	MS164030
13	Split pin	2*	9009424		9009432		
14	Suspender C	1	T7GC004005	T7GC004010	T7GC004020	T7GC004030 (T7GC004025)**	
15	Suspender E & G	1	T7GB004005	T7GB004010	T7GB004020	T7GB004030	
16	Suspender H	1	T6G019005	T6G019010	T6G019020	T6G019030	
17	TCR Suspender	1	6040204	60403 (1 Fall Chain) 6040201 (2 Fall Chain)	6040401	TF26K531030S	
18	Bolt Assembly	1					T3P153050
19	Split pin	1					9009424
20	Slotted nut	1					T3P154050
21	Suspension Shaft Assembly Extended	1	T7PD136005 {4.01 to 8.00"} T7PD181005 {8.01 to 12.00"} T7PA0059136 {4.01 to 8.00"} T7PA0059181 {8.01 to 12.00"} T7GA0109136 {5.01 to 8.00"} T7GA0109181 {8.01 to 12.00"} T7GD136010 {5.01 to 8.00"} T7GD181010 {8.01 to 12.00"} T7GA0209181 {6.03 to 12.00"} T7GA0309181 {6.03 to 12.00"} T7G117005 (10) T7G117010 (10) T7G117020 (10) T7G117030 (10)	1	T7GD181020 {6.03 to 12.00"} T7GA0209181 {6.03 to 12.00"} T7G117020 (10) T7G117030 (10)	T7GD181030 {6.03 to 12.00"} T7GA0309181 {6.03 to 12.00"} T7G117030 (10)	T6GD181050 {7.03 to 12.00"} T6GA0509181 {7.03 to 12.00"} T6G120050 (8) T6G116050 (11) T3P153050 T3P154050 9009424 MS164030 9009432 T6G119050
22	Suspension Shaft	1	T7PA0059136 {4.01 to 8.00"} T7PA0059181 {8.01 to 12.00"} T7GA0109136 {5.01 to 8.00"} T7GA0109181 {8.01 to 12.00"} T7GD136010 {5.01 to 8.00"} T7GD181010 {8.01 to 12.00"} T7GA0209181 {6.03 to 12.00"} T7GA0309181 {6.03 to 12.00"} T7G117005 (10) T7G117010 (10) T7G117020 (10) T7G117030 (10)	1	T7GA0209181 {6.03 to 12.00"} T7G117020 (10) T7G117030 (10)	T7GA0309181 {6.03 to 12.00"} T7G117030 (10)	T6GA0509181 {7.03 to 12.00"} T6G120050 (8) T6G116050 (11) T3P153050 T3P154050 9009424 MS164030 9009432 T6G119050
23	Thin Spacer	X	T7G117005 (10)	T7G117010 (10)	T7G117020 (10)	T7G117030 (10)	T6G120050 (8)
24	Thick Spacer	X	T7G116005 (7)	T7G116010 {5.01 to 8.00"}-(5) {8.01 to 12.00"}-(7)	T7G116020 (11)	T7G116030 (11)	T6G116050 (11)
25	Bolt Assembly	1					T3P153050
26	Slotted Nut	1					T3P154050
27	Split Pin	1					9009424
28	Shaft Stopper Pin	*2	T6G156005	T6G156010	T6G156020	MS164020	MS164030
29	Split pin	*2	9009424		9009432		
30	Thin Spacer L	2					T6G119050
31	Fixing spacer	2	T7PA0059137 {4.01 to 8.00"} T7PA0059182 {8.01 to 12.00"} T7GA0109137 {5.01 to 8.00"} T7GA0109182 {8.01 to 12.00"} T7GA0209182 T7GA0309182	T7GA0109137 {5.01 to 8.00"} T7GA0109182 {8.01 to 12.00"} T7GA0209182 T7GA0309182	T7GA0209182	T7GA0309182	
32	Balancing Collar	2					T3GA0509137

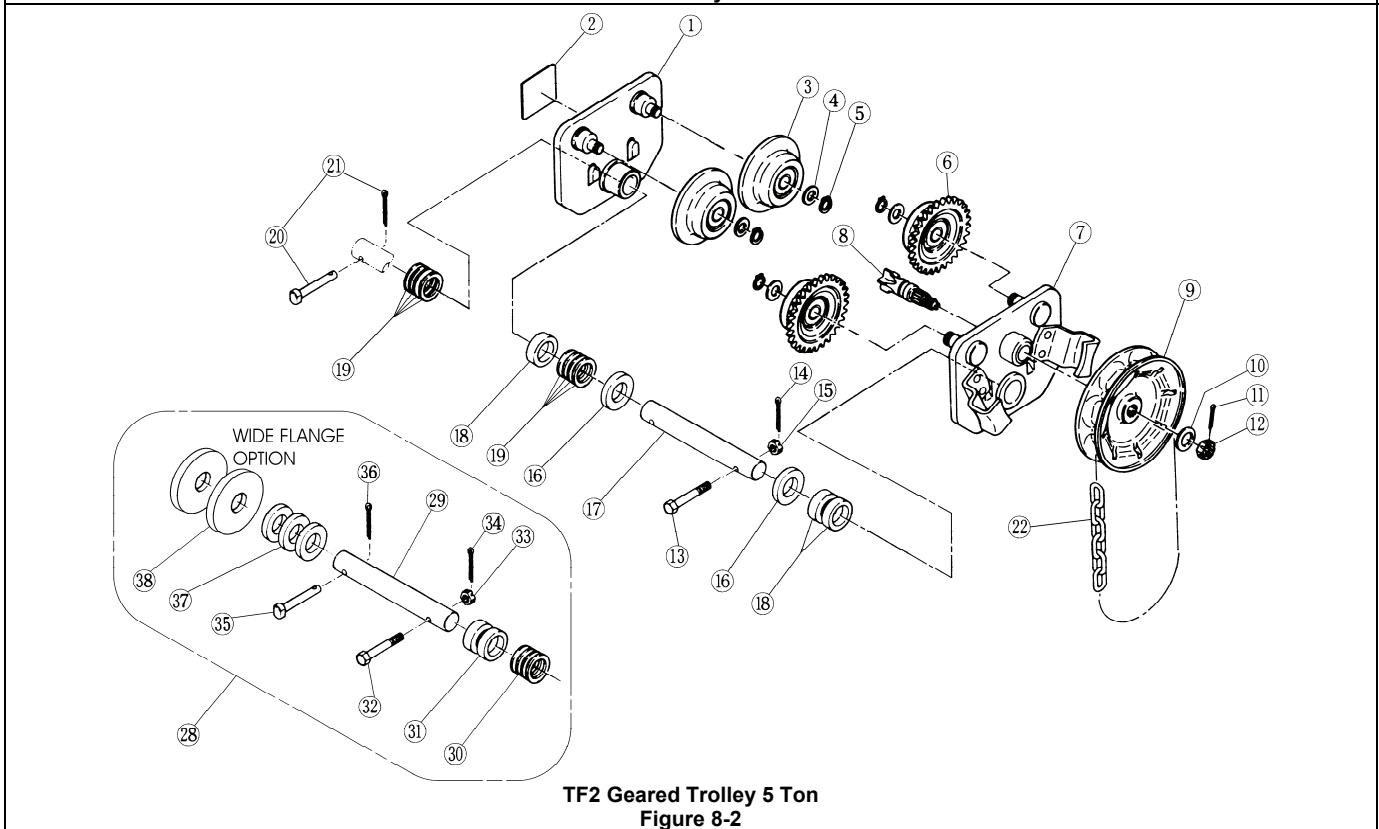
* Quantity is 1 for 5 Ton.

** Suspender for use with model CB025, 2 ½ Ton.

8.2 TF2 Geared Trolley Parts



TF2 Geared Trolley 1/2 to 3 Ton



TF2 Geared Trolley 5 Ton
Figure 8-2

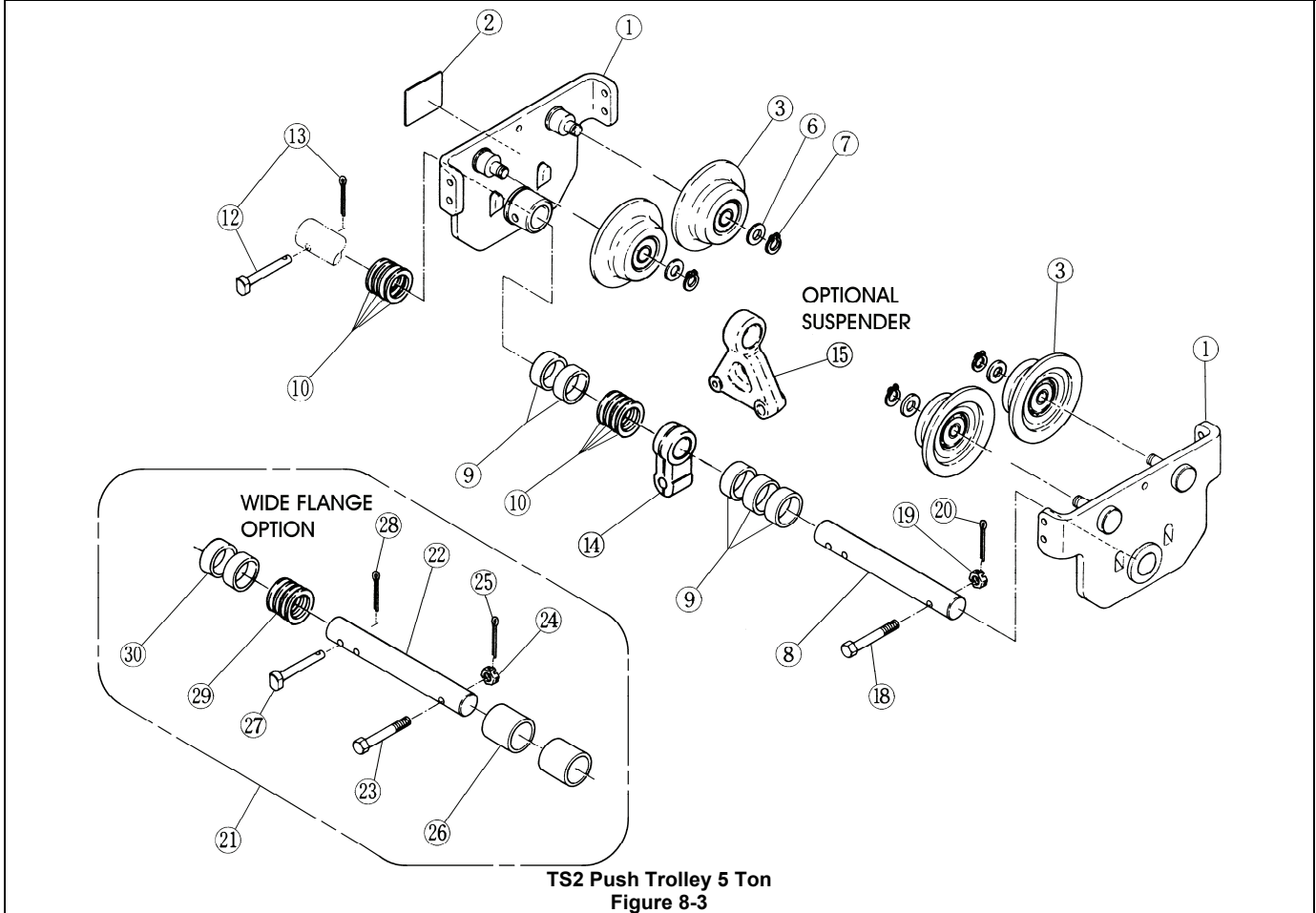
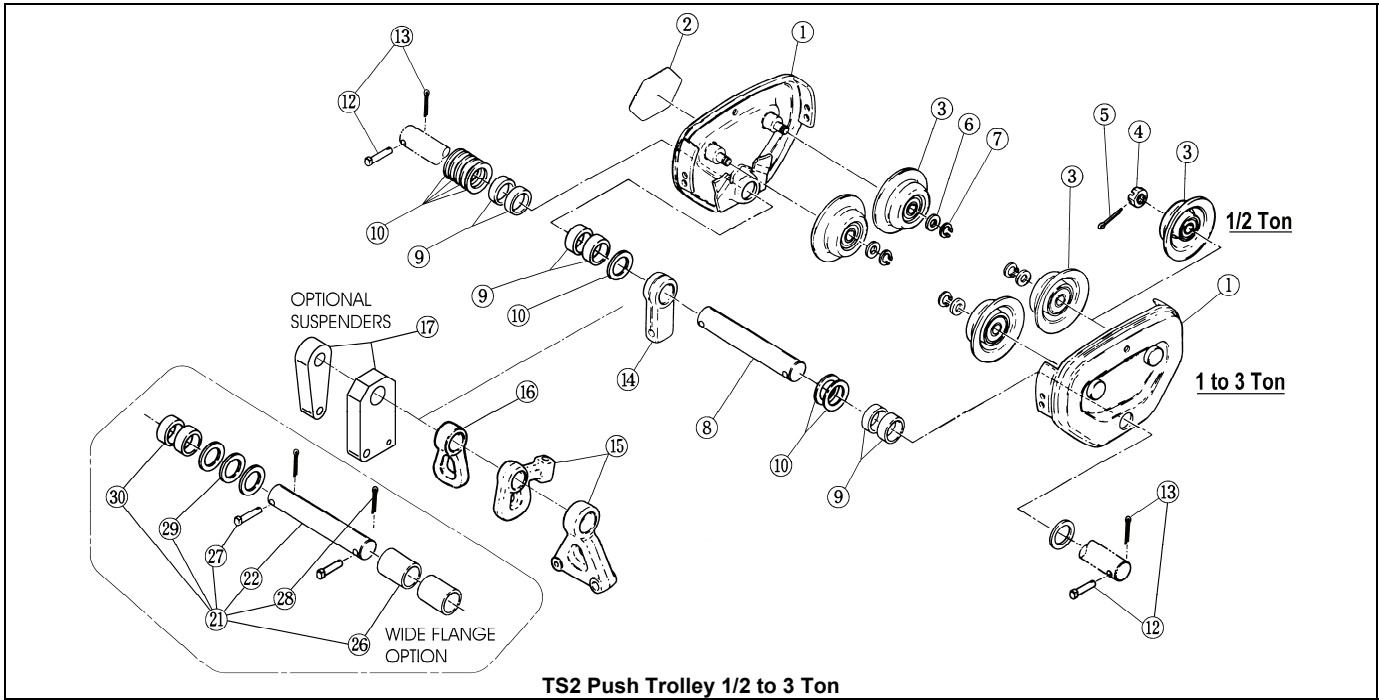
8.2 TF2 Geared Trolley Parts

Figure No.	Part Name	Parts Per Trolley	1 Ton	2 Ton	3 Ton	5 Ton
1	Sideplate S Assembly	1	T6G5112010	T6G5112020	T6G5112030	T3P110050
2	Name plate B	1	T6G800010G	T6G800020G	T6G800030G	T3G800050
3	Track wheel S Assembly	2	T6G5102010	T6G5102020	T6G5102030	T3P1102050
4	Track wheel washer	4	MS104010	MS104020	MS104030	MS104050
5	Snap ring	4	9047115	9047120	9047125	9047135
6	Track wheel G Assembly	2	T6G5101010	T6G5101020	T6G5101030	T3G1101050
7	Sideplate G Assembly	1	T6G5111010	T6G5111020	T6G5111030	T3G5111050
8	Pinion	1	T7GC121010	T7GB121020		T3G121020
9	Hand wheel	1	T6G123010			T3G123010
10	Washer	1	9012515			
11	Split pin	1	9009424			
12	Lever nut	1	L4082090			T3G259010
13	Bolt Assembly	1				T3P153050
14	Split pin	1				9009424
15	Slotted nut	1				T3P154050
16	Thin Spacer L	2				T6G119050
	Suspension shaft assembly Standard	1	T7G1115010	T7G1115020	T7G1115030	T6G1115050
17	Suspension shaft	1	T7G115010	T7G115020	T7G115030	T6G115050
18	Thick spacer (qty)	X	T7G116010(6)	T7G116020(6)	T7G116030(9)	T6G116050(3)
19	Thin spacer (qty)	X	T7G117010(9)	T7G117020(8)	T7G117030(11)	T6G120050(8)
20	Shaft stopper pin	2	T6G156010	T6G156020	MS164020	MS164030
21	Split pin	2	9009424	9009432		
22	Hand chain	1	HCCF005			
23	Hand chain guide Assembly	1	T6G5121010			
24	Suspender C	1	T7GC004010	T7GC004020	T7GC004030 (T7GC004025)**	
25	Suspender E	1	T7GB004010	T7GB004020	T7GB004030	
26	Suspender H	1	T6G019010	T6G019020	T6G019030	
27	TCR Suspender	1	60403 (1 Fall Chain) 6040201(2 Fall Chain)	6040401	TF26K531030S	
28	Suspension Shaft Assembly Extended	1	T7GD136010 {5.01 to 8.00"} T7GD181010 {8.01 to 12.00"} T7GA0109136 {5.01 to 8.00"} T7GA0109181 {8.01 to 12.00"} T7GA0209181 {6.03 to 12.00"} T7GA0309181 {6.03 to 12.00"} T7G117010 (10) T7G117020 (10) T7G117030 (10)	T7GD181020 {6.03 to 12.00"} T7GA0209181 {6.03 to 12.00"} T7G117020 (11)	T7GD181030 {6.03 to 12.00"} T7GA0309181 {6.03 to 12.00"} T7G117030 (11)	T6GD181050 {7.03 to 12.00"} T6GA0509181 {7.03 to 12.00"} T6G120050 (8) T6G116050 (11)
29	Suspension Shaft	1	T7GA0109136 {5.01 to 8.00"} T7GA0109181 {8.01 to 12.00"} T7G117010 (10) T7G117020 (10) T7G117030 (10)	T7GA0209181 {6.03 to 12.00"} T7G117020 (11)	T7GA0309181 {6.03 to 12.00"} T7G117030 (11)	T6GA0509181 {7.03 to 12.00"} T6G120050 (8) T6G116050 (11)
30	Thin Spacer	X	T7G117010 (10)	T7G117020 (10)	T7G117030 (10)	T6G120050 (8)
31	Thick Spacer	X	T7G116010 {5.01 to 8.00"}-(5) {8.01 to 12.00"}-(7)	T7G116020 (11)	T7G116030 (11)	T6G116050 (11)
32	Bolt	1				T3P153050
33	Nut	1				T3P154050
34	Split Pin	1				9009424
35	Shaft Stopper Pin	*2	T6G156010	T6G156020	MS164020	MS164030
36	Split Pin	*2	9009424	9009432		
37	Thin Spacer L	2				T6G119050
38	Fixing Spacer	2	T7GA0109137 {5.01 to 8.00"} T7GA0109182 {8.01 to 12.00"} T7GA0209182	T7GA0209182	T7GA0309182	
39	Balancing Collar	2				T3GA0509137

* Quantity is 1 for 5 Ton.

** Suspender for use with model CB025, 2 ½ Ton.

8.3 TS2 Push Trolley Parts



8.4 TS2 Geared Trolley Parts

