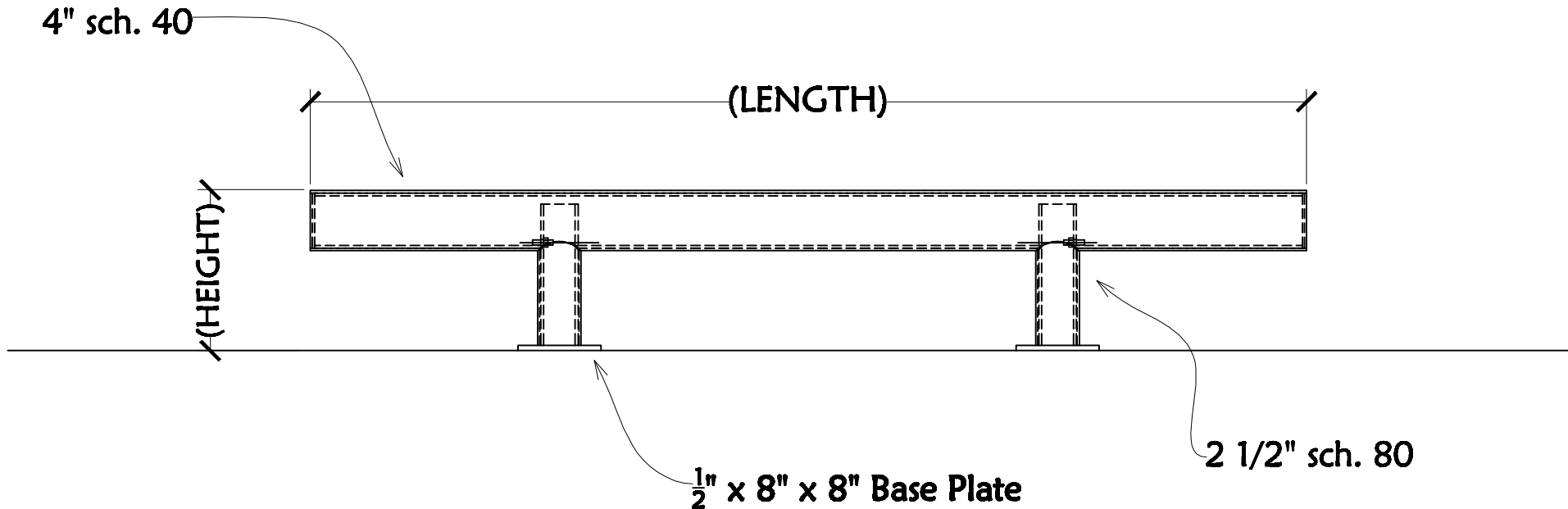


4" sch. 40

(LENGTH)

(HEIGHT)



2 1/2" sch. 80

1/2" x 8" x 8" Base Plate

LENGTH:	4'-0	HEIGHT:	14 ³ / ₄ "
	6'-0		27"
	8'-0		36"
	10'-0		42"

THIS DRAWING AND ALL THE INFORMATION THEREON IS THE PROPERTY OF THE IDEAL SHIELD. IS CONFIDENTIAL AND MUST NOT BE MADE PUBLIC, NOR COPIED, NOR USED, TO THE DISADVANTAGE OF SAID IDEAL SHIELD AND IS SUBJECT TO RETURN ON DEMAND.
 COPYRIGHT 2003
 IDEAL SHIELD

NOL	REVISIONS	DATE	APPROVED

IDEAL SHIELD
 2525 Clark St.
 Detroit, MI 48209

PROJECT

CUSTOMER

DESCRIPTION
 Ideal Shield
 1 Line HGR
 Base Plate

DRAWN BY ACB	APPROVED BY	DATE
PROJECT NO.		SCALE NTS
DATE		DRAWING NO.
SHEET NO. 1	OF 1	