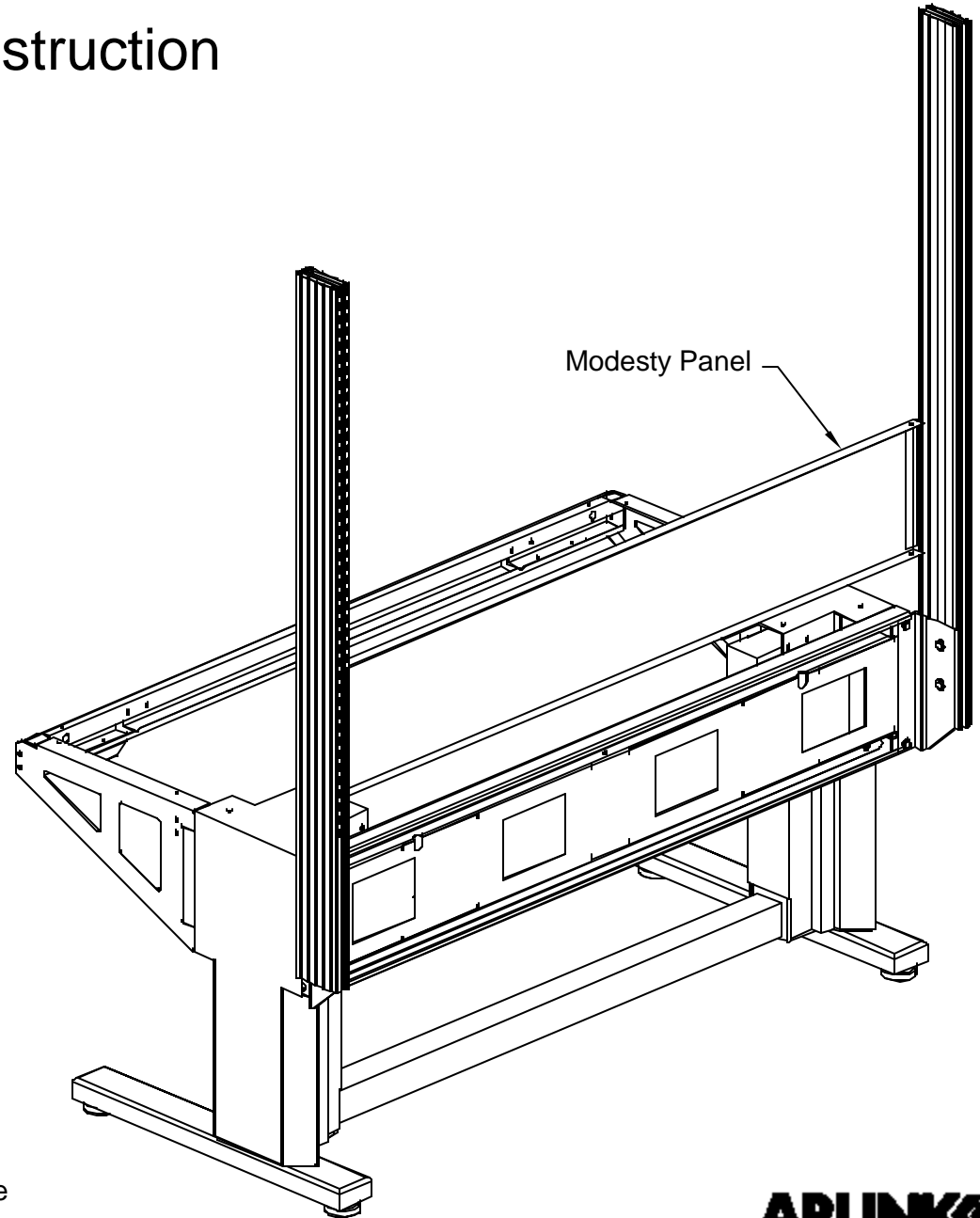
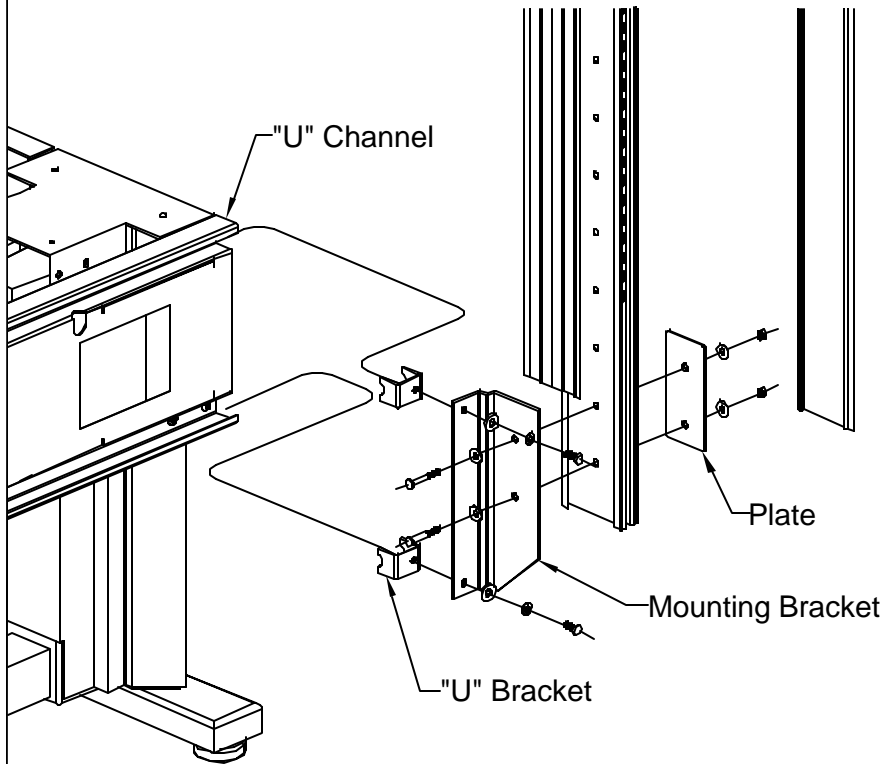


Rear Mount VSI-8 Assembly Instruction



- 1) Assemble Mounting Bracket to "U" Brackets loosely.
- 2) Slide the assembly into the "U" Channel and lightly fasten.
- 3) Assemble the column and the Plate to the Mounting Bracket.
- 4) Position on 36", 48", 60" or 72" centre to centre distance (as required). Also ensure the columns are centred and square to the worksurface.
- 5) Install Modesty Panel to ensure correct centre to centre distance, tighten all bolts securely and install trim.

All standard Arlink accessories may be used with the VSI-8 Vertical Space Integrator.

ARLINK

Copyright © 2004
Burlington, ON Canada

TEL: (905) 332 - 8484

FAX: (905) 332 - 8277