

OPERATORS MANUAL FOR:

Model 14 Drum Dolly for 55 Gallon Drum

Model 14-30 Drum Dolly for 30 Gallon Drum

A. IMPORTANT:

1. Review the Material Safety Data Sheet(s) for the material(s) in the drum(s) and take all necessary precautions. Safety shoes, work gloves, hard hat and other personal protective devices are recommended.
2. Please read all instructions *thoroughly* before attempting to assemble or operate your new Morse drum handler.
3. The Model 14 Drum Dolly has a maximum capacity rating of 1,000 Lbs. and is intended for moving 55 gallon drums. **DO NOT** exceed this rating. Exceeding this rating, or handling drums other than those mentioned above is unsafe and could result in equipment damage, excessive wear or awkward handling.
4. When operating, loading or unloading, or maintaining your Morse drum handler, always use care, good judgement, have good footing and a firm hold to help guard against accidents. Use care when pushing the dolly to maintain control and avoid tipping when rolling on rough or uneven floors.

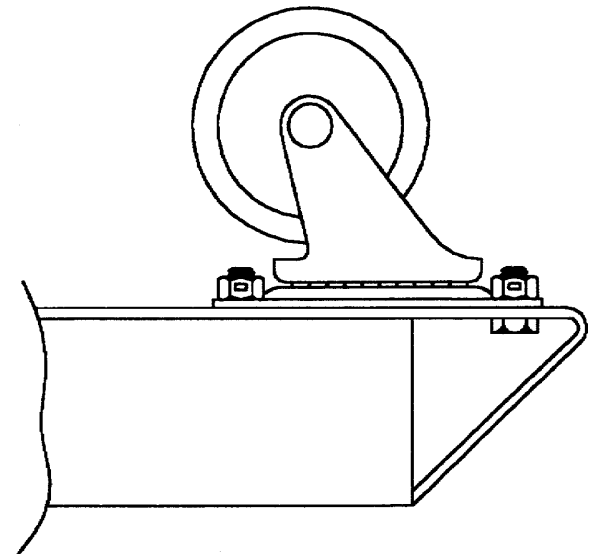
B. ASSEMBLY INSTRUCTIONS

Please unpack the following parts:

1. (1) Base Weldment
2. (4) 3" Swivel Caster
3. (16) 1/4 - 20 x 1/2" Carriage Bolt
4. (16) 1/4 - 20 Rev Hex Lock Nut

TO ASSEMBLE:

1. Place base weldment (item 1) upside down so that caster mounting surfaces are facing upward.
2. Place the casters (item 2) over the pre-punched holes.
3. Push the bolts (item 3) up from below through pre-punched holes and caster plate holes. Secure with lock nuts (item 4). When assembled properly and the dolly is turned upright, the nuts will be on the underside of the dolly. The bolt heads will not interfere with the drum.



OPERATING INSTRUCTIONS:

Drum can be loaded into dolly using a Morse Model 90, or other suitable lifter for an upright drum.

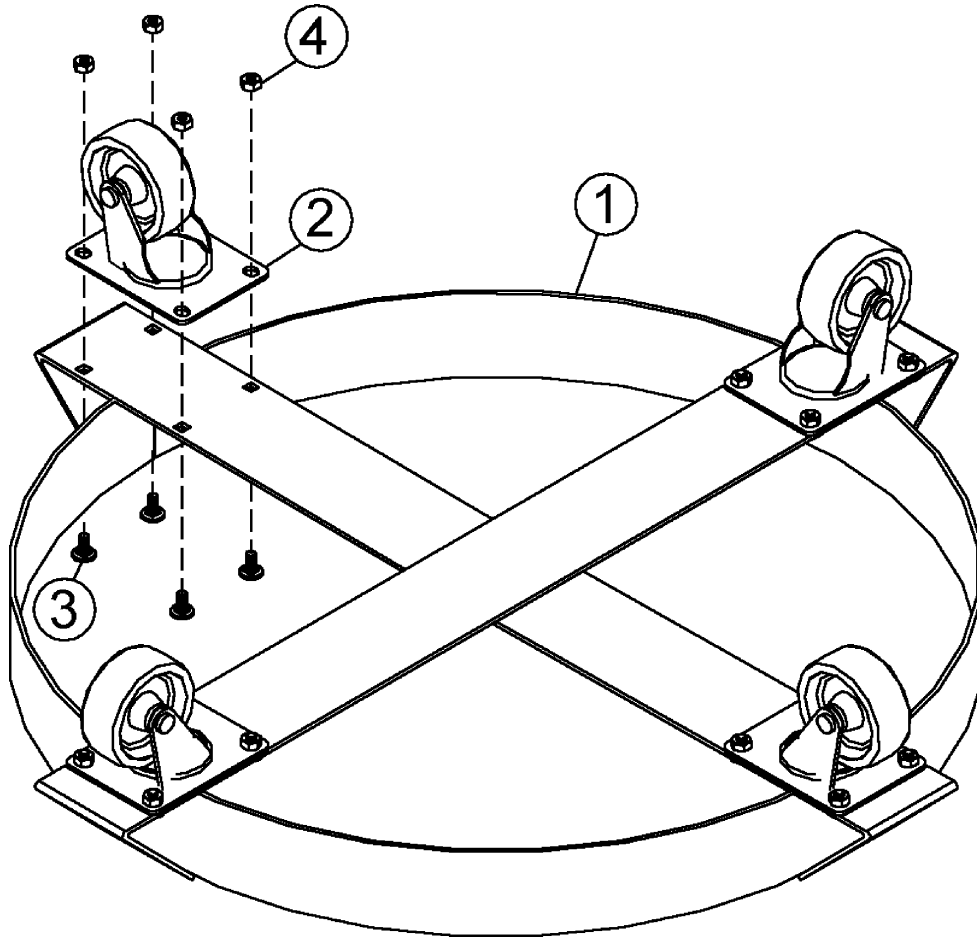
MAINTENANCE:

1. Periodically inspect all moving parts, framework and contact areas for signs of wear, fatigue or loosening. Tighten, adjust or replace parts as necessary to prevent failure and maintain proper function.
2. The caster and wheel bearings should be checked and oiled periodically.
3. Order replacement parts through your Morse Dealer.

PARTS LIST AND DIAGRAM FOR:

Model 14 Drum Dolly for 55 Gallon Drum

Model 14-30 Drum Dolly for 30 Gallon Drum



MORSE MODELS 14 and 14-30

ITEM #	MODEL #	QTY	P/N	DESCRIPTION
1	14	1	1211-P	BASE WELD, 14 DRUM DOLLY
1	14-30	1	1212-P	BASE WELD, 14-30 DOLLY
2	14	4	198-P	CASTER 3" 14, 34, 201
3	14	16	1317-P	1/4 - 20 X 1/2" CARRIAGE BOLT
4	14	16	1297-P	1/4 - 20 REV HEX LOC NUT