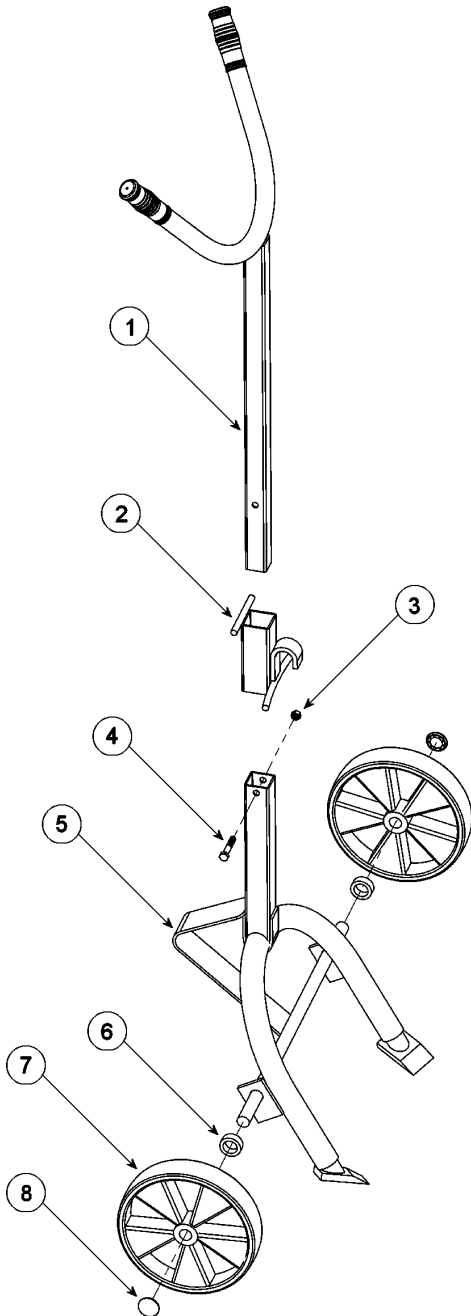


**Parts List and Diagram for Models 152 and 153 Drum Hand Trucks**



<u>Item</u>	<u>Part #</u>	<u>Qty</u>	<u>Description</u>
1	3970-P	1	HANDLE WELD, 152, 153, 155
2	1947-P	1	HOOK SLIDE WELD, 152
3	1169-P	1	3/8 - 16 REV HEX LOC NUT
4	82-P	1	3/8 - 16 X 2-1/4 HHCS GR 2
5	3971-P	1	BASE WELD, 152, 153
6	1953-P	2	WHEEL SPACER, 152, 153, 155
7	702-P	2	WHEEL, RUBBER, 10", 7/8" BORE (MODEL 152)
7	701-P	2	WHEEL, MORTUF, 10", 7/8" BORE (MODEL 153)
8	706-P	2	PUSH-ON HUB CAP, 7/8"