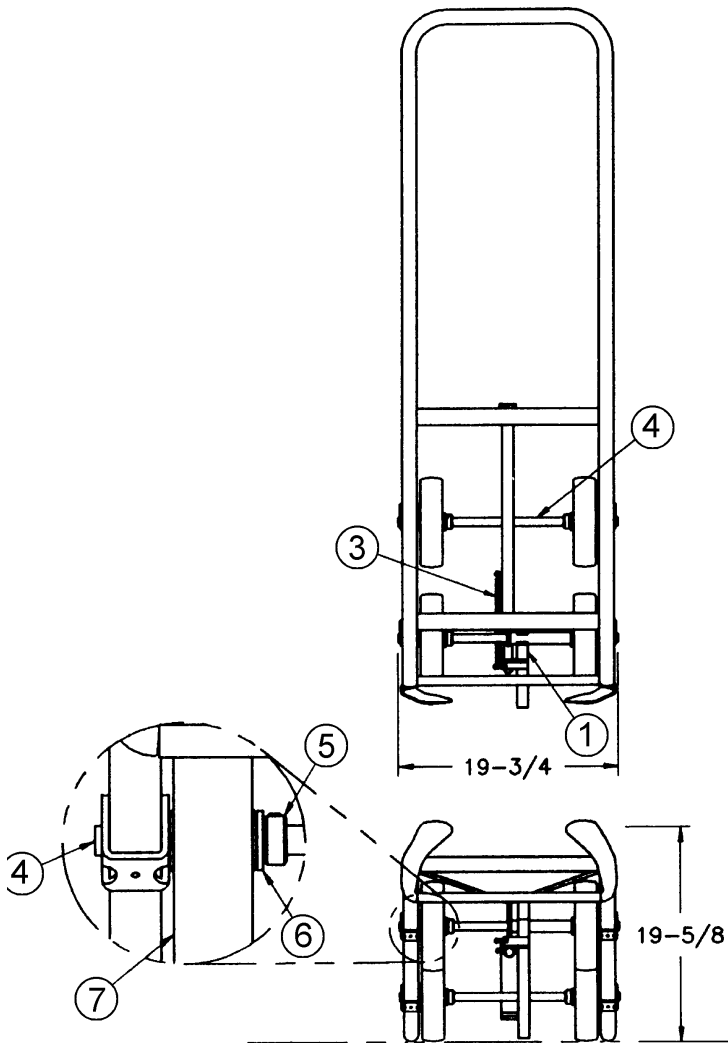


PARTS LIST AND DIAGRAM

Model 160 shown



Model 160 4-Wheel Drum Truck			
ITEM	QTY	PART #	DESCRIPTION
1	1	1369-P	STAND WELD, 160
2	1	1367-P	HOOK WELD, 160
3	1	1114-P	SPRING, EXTENSION, 160
4	2	1355-P	AXLE, 19.75", 160
5	4	15-P	COLLAR, 3/4" ID
6	4	55-P	WASHER, 3/4 SAE FL 1-1/2 OD
7	4	87-P	WHEEL, MORTUF, 8", 3/4" BRG

Model 160-WP 4-Wheel Drum Truck with Pneumatic Wheels			
ITEM	QTY	PART #	DESCRIPTION
1	1	1369-P	STAND WELD, 160
2	1	1367-P	HOOK WELD, 160
3	1	1114-P	SPRING, EXTENSION, 160
4	2	1381-P	AXLE, 160-WP
5	5	15-P	COLLAR, 3/4" ID
6	4	55-P	WASHER, 3/4 SAE FL 1-1/2 OD
7	4	1379-P	WHEEL, PNEUMATIC 10", 160-WP

Model 160-SS Stainless Steel 4-Wheel Drum Truck			
ITEM	QTY	PART #	DESCRIPTION
1	1	2752-P	STAND WELD, 160-SS
2	1	2756-P	HOOK WELD, 160-SS
3	1	2759-P	SPRING, EXTENSION, 160-SS
4	2	2758-P	AXLE, 160-SS
5	4	15SS-P	COLLAR, 3/4" ID, SS
6	4	55SS-P	WASHER, 3/4 SAE FL 1-1/2 OD SS
7	4	87-P	WHEEL, MORTUF, 8", 3/4" BRG

Model 160M 4-Wheel Drum Truck with Spark Resistant Parts			
ITEM	QTY	PART #	DESCRIPTION
2	1	2765-P	HOOK WELD, SR, 160M
4	2	1355-P	AXLE, 19.75", 160
5	4	15-P	COLLAR, 3/4" ID
6	4	55-P	WASHER, 3/4 SAE FL 1-1/2 OD
7	4	87-P	WHEEL, MORTUF, 8", 3/4" BRG

