

### Lift, Transport and Pour Drums with Your Forklift

- Add drum handling to your fork truck to raise and control pouring
- Attach to forklift quickly with no tools or truck modification
- No electric or hydraulic connections
- Eliminate backbreaking labor and dangerous, makeshift methods
- Fully invert a drum in less than 15 seconds

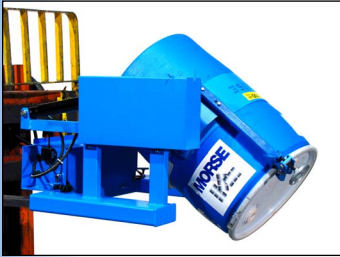
MADE  
IN  
USA

### MORCINCH™ Drum Handling System

Automatically adjusts for 22" to 23.5" (56 to 59.7 cm) diameter drum. Includes a flexible cinch chain cover to help protect the sidewall of your drum. Incorporates alloy cinch chain and durable stress relief weld joints.



### MORcinch™ Options to Handle Almost Any Drum



#### Top Rim Clamp

The **Top Rim Clamp** grips the upper rim of your drum to prevent it from slipping through the drum holder. Use to handle a 55-gallon (210 liter) rimmed plastic or fiber drum. To handle a 55-gallon plastic drum with top rim, you must install either the Bracket Assembly or the Top Rim Clamp. Part # 4560-P Rim Clamp Assembly.



#### Bracket Assembly

The **Bracket Assembly** provides a brace at top and bottom of your drum to prevent it from slipping lengthways through the drum holder. It adjusts for 31" to 39" (79 to 99 cm) tall drum. The Bracket Assembly is required to handle a rimless plastic drum. It also recommended to more securely handle a fiber drum. Part # 4556-P Bracket Assembly.



#### Diameter Adaptors

For a smaller diameter drum, Diameter Adaptors install easily without tools and are quickly removed. Quickly insert the correct size Diameter Adaptor into the drum holder. Simply remove it to return to handling a 55-gallon drum.

Diameter Adaptors for 17.5" (44.5 cm) diameter or smaller have brackets at top and bottom of the drum. They adjust for a drum up to 38" (95.5 cm) tall. Spark resistant and stainless steel Diameter Adaptors are also available.



#### Web Strap and Ratchet



MORcinch™ Drum Holder with Option # 5115i-P Web Strap and Ratchet installed (not for use on spark resistant models)

DIAMETER ADAPTORS		
DIAMETER ADAPTORS	FITS DIAMETER	DOMESTIC SHIP WEIGHT
55/30-20.5	20" to 20.5" (50.8 to 52.1 cm)	20 Lb. (9 kg)
55/30-19	18.5" to 19" (47 to 48.3 cm)	24 Lb. (11 kg)
55/30-17.5	17" to 17.5" (43.2 to 44.5 cm)	35 Lb. (16 kg)
55/30-16	15.5" to 16" (39.4 to 40.6 cm)	35 Lb. (16 kg)
55/30-14.5	14" to 14.5" (35.6 to 36.8 cm)	36 Lb. (16 kg)

\* Half-full rating is an indication of capacity for tilting an unbalanced, bottom-heavy drum. A partially full drum with unbalanced and shifting load is harder to tilt than a full drum.

>> [Click to Watch Video](#) <<

Model 285A-BP



Also see model 285XBP on page 2

### Battery Powered Drum Tilt Control

Model 285A-BP provides 12V battery-powered drum tilt with controls on a 10' cord, so you can control drum pouring with pushbutton ease while in your truck. Fully invert your drum to completely empty the contents. Drum tilt may be started, stopped or reversed at any point in the 180° range.

Model 285A-BP Forklift-Karrier has its own battery. No power connection or truck modification is required. A separate charger is included.

Capacity: 1,500 Lb. (681 kg) full-drum, 800 Lb. (364 kg) Half-full\* drum. Domestic ship dimensions: L 39" W 41" H 28" (99 x 104 x 71 cm). Domestic ship weight: 395 Lb. (180 kg).

### Option: Wireless Drum Tilt Control

Safe, simple and reliable wireless machine control. Approximately 300 foot (91 m) operating range featuring 900MHz frequency hopping technology for eliminating interference from other RF sources. Easily switch between direct wire pendant control and wireless remote control. Quick DC power disconnect for locking out the equipment.



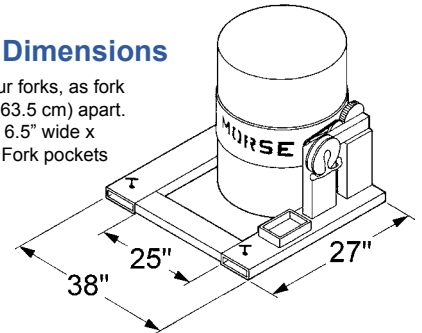
**Option # 4804i-P** - Wireless Control factory installed on new model 285A-BP Forklift-Karrier. It may also be installed on Forklift Mounted Drum Rackers models 289C and 289F.

**Kit # 4804-P** - Kit to field install Wireless Control on your model 285A-BP.

### Forklift-Karrier Dimensions

Requires 25" between your forks, as fork pocket openings are 25" (63.5 cm) apart. Fork pocket openings are 6.5" wide x 2.5" high (16.5 x 6.4 cm). Fork pockets are 26.5" (67.3 cm) deep.

Shipped assembled. Domestic shipment in durable carton.



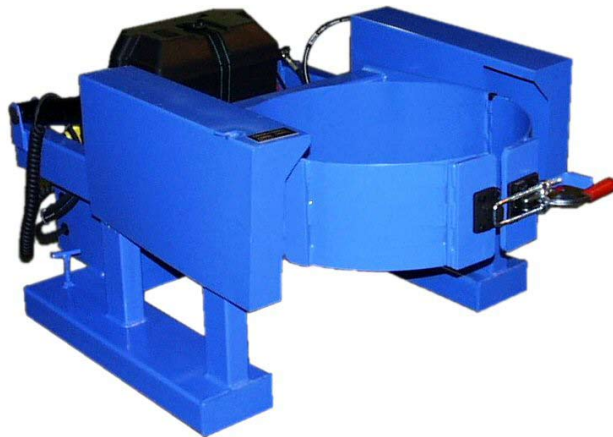
MADE  
IN  
USA

Model 285A-BP					
Model #	Description	Capacity	Drum Diameter	Domestic Ship Weight	Domestic Ship Dimensions
285A-BP	Forklift-Karrier with battery power tilt control	1,500 Lb. (680 kg)	22" to 23.5" (56 to 59.7 cm)	355 Lb. (161 kg)	L40" x W42" x H27" (102 x 107 x 69 cm)

NOTE: 12V Deep Cycle Lead Acid Battery is designed for domestic shipment only. For export shipment, choose the following battery option:

- Option "NB" No Battery. Customer must obtain battery before use... Exide # 27MDP 12V Deep Cycle Battery or equivalent.

Option #	Description	Capacity	Drum Diameter	Domestic Ship Weight	Domestic Ship Dimensions
4804i-P	Factory Installed Wireless Remote Tilt Control	-	-	5 Lb. (2.3 kg)	-
5115i-P	Factory Installed Web Strap and Ratchet	1,500 Lb. (680 kg)	-	0	-
4560-P	Top Rim Clamp for RIMMED 55-gallon plastic drum	-	22" to 23.5" (56 to 59.7 cm)	11 Lb. (5 kg)	L21" x W10" x H18" (53 x 25 x 46 cm)
4556-P	Bracket Assembly for RIMLESS 55-gallon plastic drum	-	19" to 23.5" (48.3 to 59.7 cm)	20 Lb. (9.1 kg)	L46" x W11" x H6" (117 x 28 x 15 cm)
55/30 Series	Diameter Adaptors (choose correct size for each drum)	-	- - - - - See Diameter Adaptor spec sheet - - - - -	-	-



**Model 285XBP**

**Forklift-Karrier with 2500 Lb. (1134 kg) Capacity and Battery Power Tilt**

Use model 285XBP to lift and pour a drum weighing up to 2500 Lb. (1134 kg) with the convenience of battery powered tilt control. This model has an extra heavy-duty 3-piece drum holder with toggle clamp closure to secure the drum.

It can also be ordered with the wireless tilt control option installed - Option # 48048i-P.

Model 285XBP					
Model #	Description	Capacity	Drum Diameter	Domestic Ship Weight	Domestic Ship Dimensions
285XBP	Forklift-Karrier with battery power tilt control	2,500 Lb. (1134 kg)	22.5" (57 cm)	532 Lb. (241 kg)	L40" x W42" x H27" (102 x 107 x 69 cm)
Option #	Description		Drum Diameter	Domestic Ship Weight	Domestic Ship Dimensions
4804i-P	Factory Installed Wireless Remote Tilt Control		-	5 Lb. (2.3 kg)	-
55/30-19GR	Diameter Adaptor for 30-gallon (114 liter) drum		18.5" to 19" (47 to 48.3 cm)	50 Lb. (22.7 kg)	L31" x W26" x H11" (79 x 66 x 28 cm)