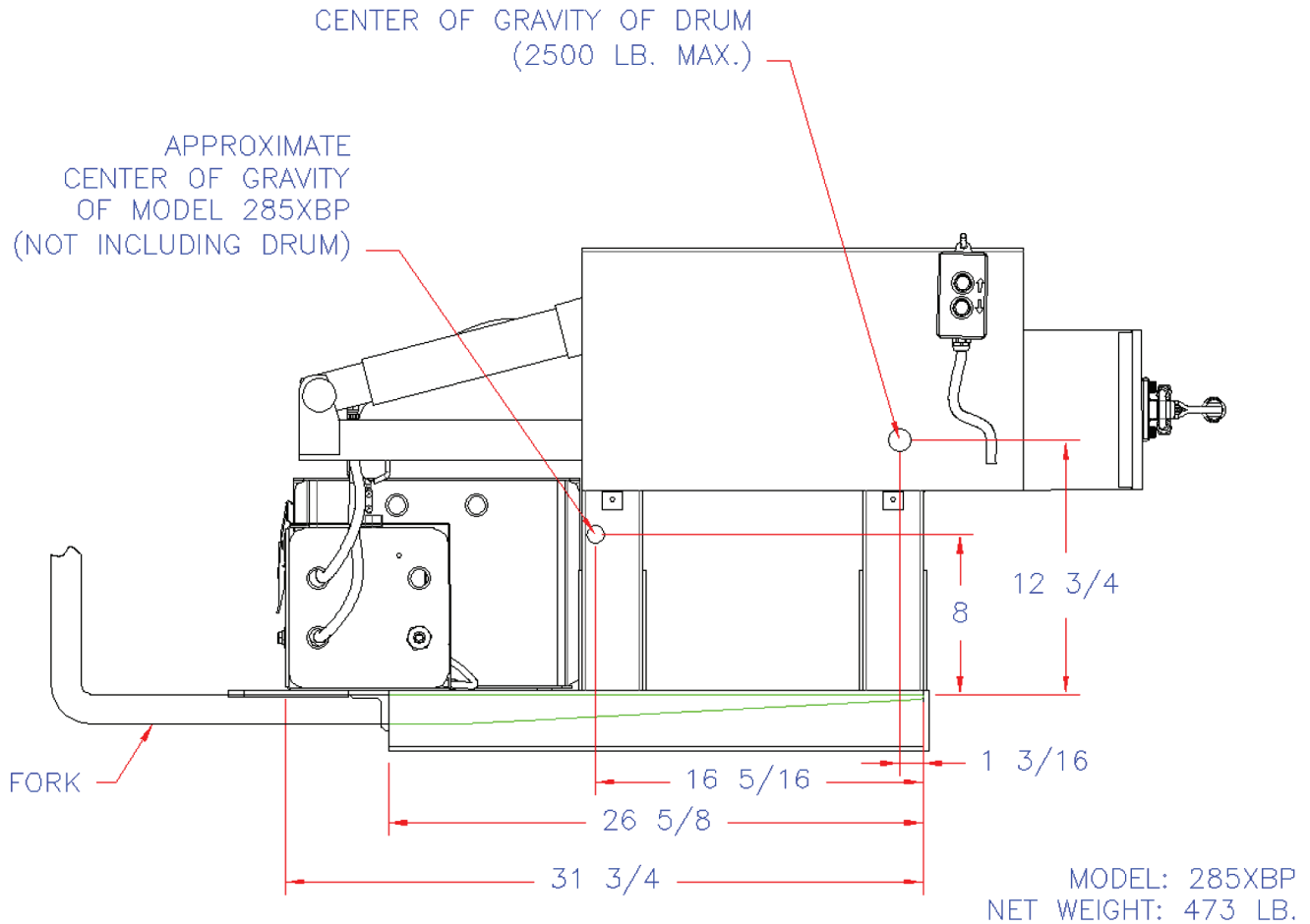


Center of Gravity Dimensions for Calculating Lost Load on Equipment



DIMENSIONS ARE MEASURED FROM INSIDE OF
 FORK TUBE END. THIS WILL GIVE A FIXED POINT
 TO WHICH LOST LOAD DATA CAN BE DETERMINED.
 (FORKS MUST BE TOUCHING THE FORK TUBE END.)