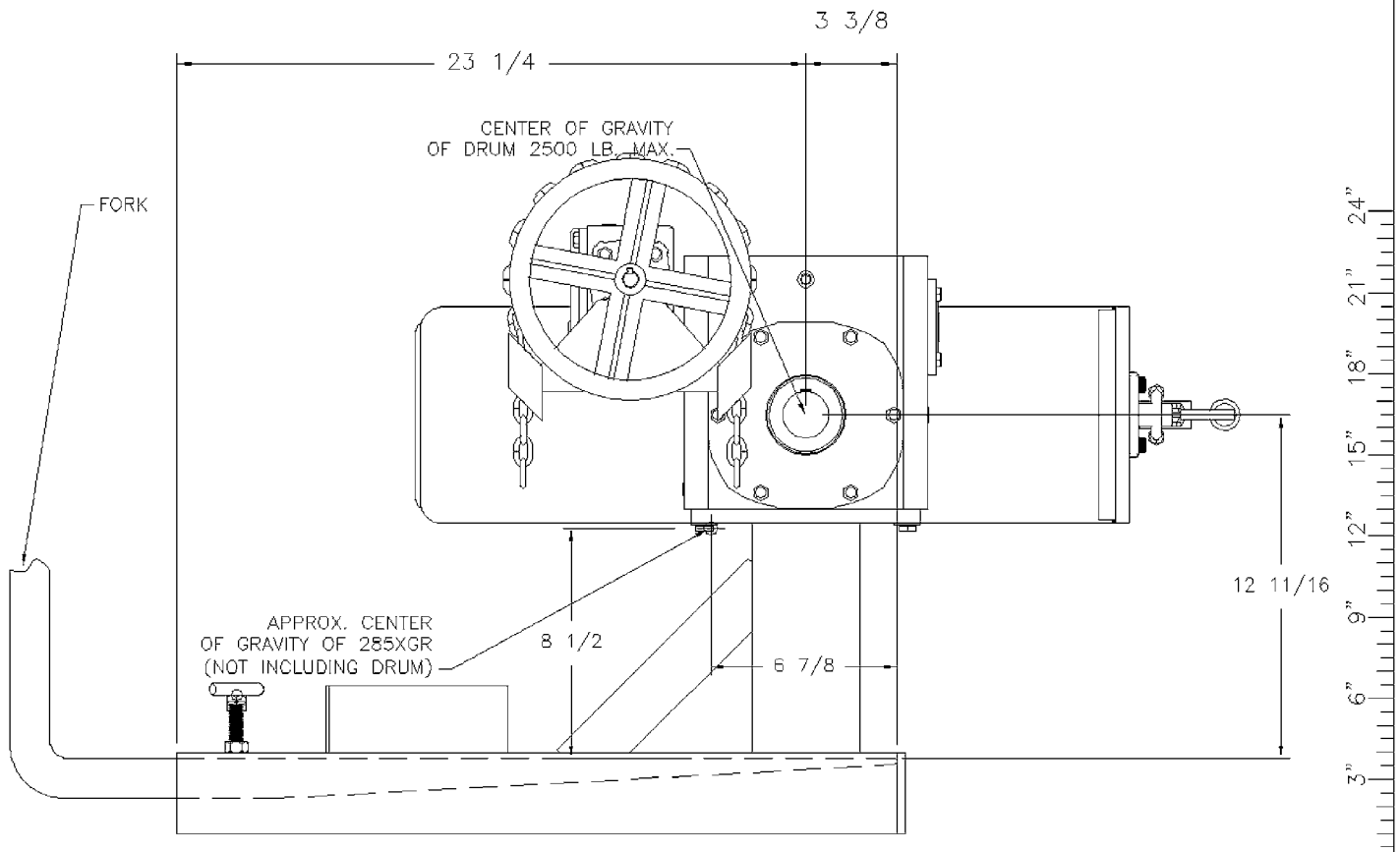


Morse Extra Heavy-Duty Forklift-Karrier with 2500 Lb. Capacity - Model 285XGR
Serial Number 0108 to ____ (MMYY)

**CENTER OF GRAVITY DIMENSIONS FOR
CALCULATING LOST LOAD ON EQUIPMENT**



DIMENSIONS ARE MEASURED FROM INSIDE OF FORK TUBE END. THIS WILL GIVE A FIXED POINT TO WHICH LOST LOAD DATA CAN BE DETERMINED. (FORKS MUST BE TOUCHING THIS FORK TUBE END.)

MODEL
285XGR

NET WEIGHT
333

OPTION SUBTRACT FROM MODEL
X03 -9 LB.