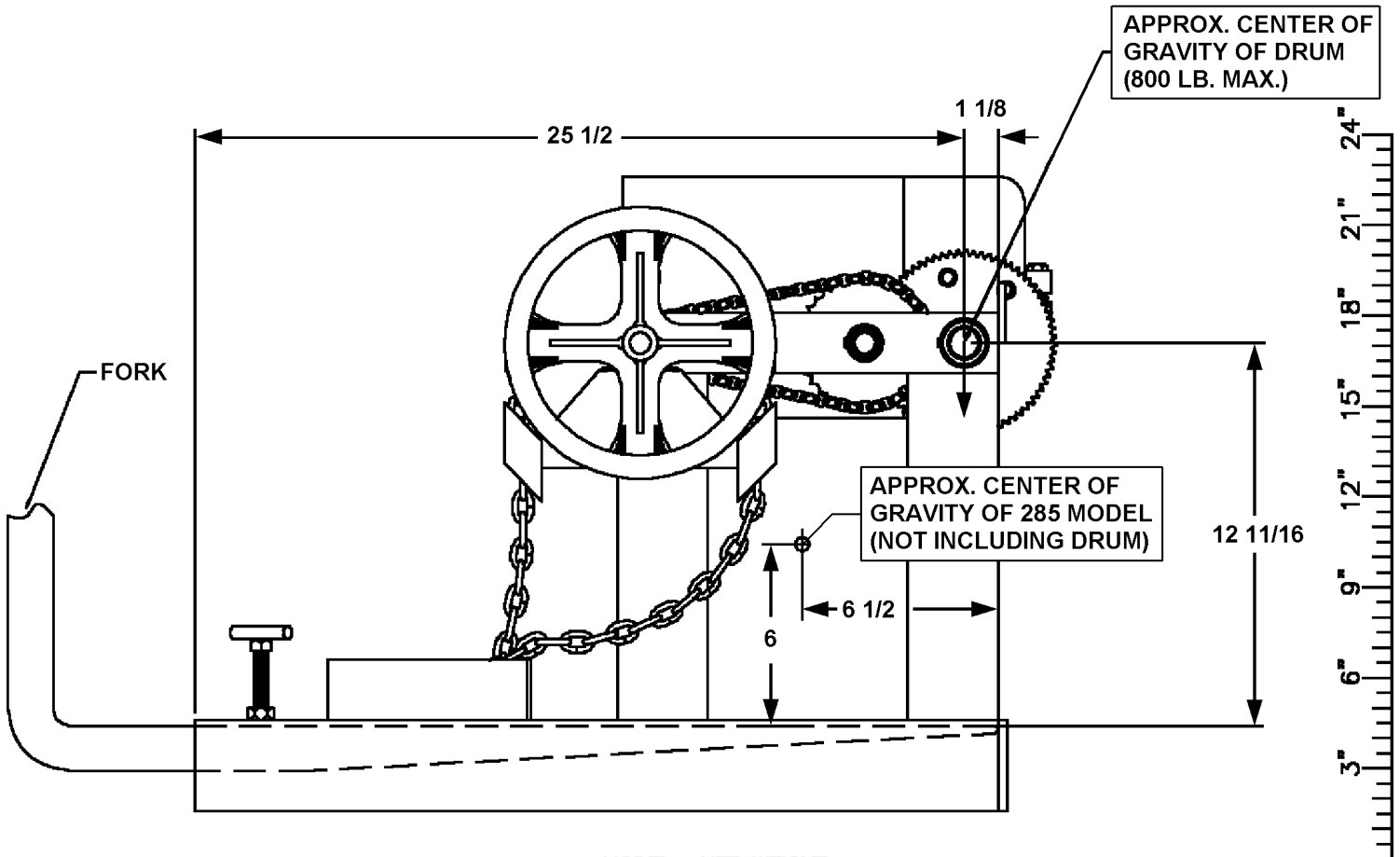


LOST LOAD CAPACITY WITH MORSE 285 SERIES FORK LIFT KARRIER
Serial Number 0793 to ____ (MMYY)

CENTER OF GRAVITY DIMENSIONS FOR CALCULATING LOST LOAD ON EQUIPMENT



DIMENSIONS ARE MEASURED FROM INSIDE OF FORK TUBE END. THIS WILL GIVE A FIXED POINT TO WHICH LOST LOAD DATA CAN BE DETERMINED. (FORKS MUST BE TOUCHING THIS FORK TUBE END.)

MODEL	NET WEIGHT
285A	138 LB.
285A-M	138 LB.
285A/E	140 LB.
285G	148 LB.

OPTION	ADD OR SUBTRACT TO MODEL
X01	0 LB.
X02	-4 LB.
X03	0 LB.
X04	+6 LB.