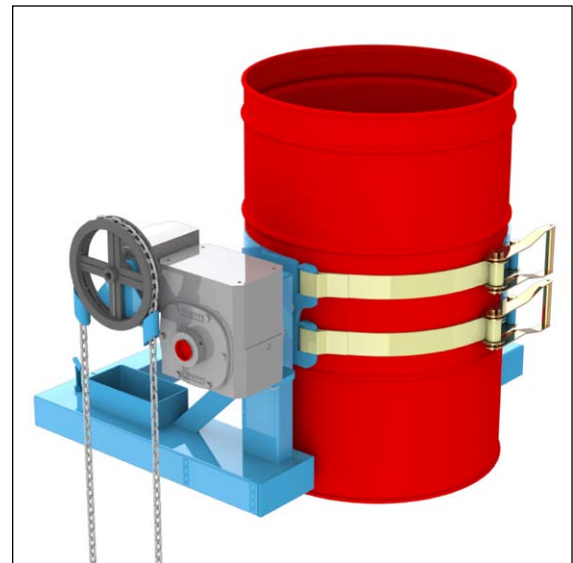


**Contents**

	Page
Receiving Procedures. . . . .	1
Warranty. . . . .	1
Safety Information. . . . .	1 - 2
Machine Description. . . . .	3
Assembly Instructions. . . . .	3
Operating Instructions. . . . .	4
Maintenance. . . . .	4
Parts Lists and Diagrams. . . . .	5
Center of Gravity Information. . . . .	6

**Operator's Manual**  
**for Morse**  
**Extra Heavy-Duty Forklift-Karrier**

**Model 285A-GR**  
 Serial Number 0912 to \_\_\_\_ (MMYY)



**Receiving Procedures**

Every Morse drum handler is inspected prior to shipping. However, damage may be incurred during transit.

- Check for visible damage. If you choose to accept damaged freight, always sign noting the damage on the **Bill of Lading**.
- Document the damage and have the truck driver sign. We recommend keeping a digital camera at your receiving dock for this purpose.
- Open packages expeditiously to check the condition of the goods. There is only a 24 hour window to notify the carrier of any concealed damage.
- Immediately **report all damage to the shipping company!** Then you may contact Morse for assistance with your freight claim.
- Morse Manufacturing will not be held responsible for any damaged freight that is not signed for as damaged.

**Limited 2 Year Warranty**

Morse drum handling equipment is guaranteed against defects in workmanship or materials for two years when used properly within its rated capacity. Warranty does not cover wear from normal use or damage from accident or abuse. Motors and other purchased parts carry the warranties of their manufacturers.

For warranty claims, contact your Morse Dealer to obtain a return authorization number, and for return freight advice. Return freight must be prepaid.

In all instances, liability is limited to the purchase price paid or to repairing or replacing the product. Customer assumes liability for any modifications, unauthorized repairs or parts substitution.

**Safety Information**

While Morse Manufacturing Co. drum handling equipment is engineered for safety and efficiency, a high degree of responsibility must be placed upon the machine operator to follow safe practices, based primarily on common sense, upon which true safety depends.

Failure to follow the safety precautions in this manual can result in personal injury or property damage. Observe the same precautions as with similar machinery where carelessness in operating or maintenance is hazardous to personnel. Carefully read the safety precautions below and throughout this manual.

Review the Material Safety Data Sheet(s) for the material(s) in the drum(s) and take all necessary precautions. Safety shoes, work gloves, hard hat and other personal protective devices are recommended.

Prior to initial use, inspect all moving parts and test rotation of chain wheel and saddle assembly. Inspect saddle assembly for proper operation. Perform necessary load test, inspections, operator training, etc.

**Operator's Manual for Morse Extra Heavy-Duty Forklift-Karrier Model 285A-GR**  
**Serial Number 0912 to \_\_\_\_ (MMYY)**

**Safety Information** (continued)



**DANGER** - Indicates a situation which, if not avoided, will result in serious injury or death. This signal word is limited to the most extreme situations.



**WARNING** - Indicates a situation which, if not avoided, could result in serious injury or death.



**CAUTION** - Indicates a situation which, if not avoided, can result in damage to the machine.



**CAUTION** – Do Not Transport with Drum Raised. Always lower the drum holder to lowest position before transporting.



**WARNING** - The Extra Heavy-Duty Forklift-Karrier is designed to handle one drum of the types listed at the top of page 3. Machine Description. DO NOT attempt to handle any other type of drum or object. DO NOT exceed the weight capacity of 2000 Lb. (907 kg).



**WARNING** - Do Not Modify the Unit. Under no circumstances should any modifications be made to the Morse machinery without factory authorization. Any modifications may void the warranty. This machine was designed to perform a specific job and alterations may result in injury to operator or machine.



**WARNING** - No Loose Fitting Clothing. Wear close-fitting clothing and safety equipment appropriate to the job. Loose fitting clothing may become caught on the machinery and cause severe personal injury.



**CAUTION** - Wear safety shoes with non-slip soles and hard toe protection.



**CAUTION:** DO NOT allow drum to impact on floor, ground, or dumping station, etc.

**Operator's Manual for Morse Extra Heavy-Duty Forklift-Karrier Model 285A-GR**  
**Serial Number 0912 to \_\_\_\_ (MMYY)**

**Machine Description**

The Model 285A-GR Extra Heavy-Duty Forklift-Karrier is designed to lift, transport, and dispense a ribbed 55-gallon (208 liter) steel drum 22.5" (57.2 cm) in diameter. The maximum full-drum capacity is 2000 Lb. (907 kg). The capacity is derated to 1000 Lb. (454 kg) for a half-full drum. The half-full rating is based on the tilt mechanism's capacity for handling an unbalanced bottom-heavy drum.



**Options**

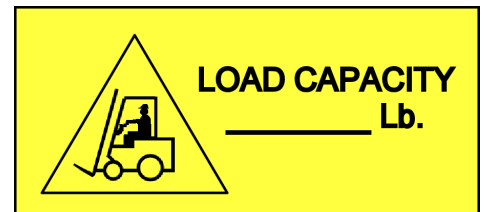
An 18.5" (47 cm) diameter ribbed 30-gallon (114 liter) steel drum can be handled with model 55/30-19GR Diameter Adaptor. Insert this Diameter Adaptor into the drum holder. Remove the Adaptor to handle your 55-gallon (208 liter) steel drum. Quickly and easily install this Diameter Adaptor in the drum holder. Then simply lift it back out to go back to handling a 55-gallon (208 liter) steel drum.



**Optional Diameter Adaptor**  
**Part # 55/30-19GR**

**Important**

1. Review the Material Safety Data Sheet(s) for the material(s) in the drum(s) and take all necessary precautions. Safety shoes, work gloves, hard hat and other personal protective devices are recommended.
2. Please read all instructions thoroughly before attempting to operate your new Morse drum handler.
3. The model 285A-GR has a maximum capacity rating of 2000 Lb. (907 kg) full drum and 1000 Lb. (454 kg) half-full drum and is designed to lift, move and pour a 55-gallon (208 liter) steel drum. DO NOT exceed these ratings. Exceeding these ratings or handling drums other than those mentioned above is unsafe and could result in equipment damage, excessive wear or awkward handling.
4. When loading, unloading, operating, or maintaining your MORSE drum handler, always use care and good judgment. Maintain secure footing and a firm hold. Keep hands and loose clothing away from all moving parts. Never allow anyone to be below any part of a raised drum handler or drum. Read operating instructions and review the pictures in the sales brochure before operation.
5. Because the model 285A-GR is a front-end attachment for a forklift, OSHA recommends that "... the truck (forklift) be marked to identify the attachment(s) and show the approximate weight of the truck and attachment combination at maximum elevation with load laterally centered." See center of gravity dimensions of model 285A-GR on page 6 for calculating lost load on your equipment.
6. Prior to initial use, inspect all moving parts and test rotation of chain wheel and saddle assembly. Inspect saddle assembly for proper operation. Perform necessary load test, inspections, operator training, etc.



**Assembly Instructions**

1. Remove the following items from the small cardboard box packaged with the 285A-GR: chain wheel, chain guide with/ pull chain, bushing, 3/16 square key (items: 6, 7, 11, 8, 15).
2. Slide bushing (item 8) and chain guide with/ pull chain (items 7 and 11) onto speed reducer (item 4) input shaft with the chain guide facing outward as pictured in parts diagram.
3. Insert 3/16 square key (item 15) into the key way on the input shaft of the speed reducer. Slide the key up to the bushing.
4. While raising the pull chain up into a loop, slide the chain wheel onto shaft with the keyway in the chain wheel lined up with the square key. Lay the loop of pull chain into the pockets in the chain wheel. Tighten the two set screws on the hub of the chain wheel.
5. Install speed reducer oil vent plug and check oil level as shown in the speed reducer owners manual.
6. Prior to initial use, inspect all moving parts and test rotation of chain wheel and saddle assembly. Inspect ratchets and web straps for proper operation. Perform necessary load test, inspections, operator training, etc.



**CAUTION:** DO NOT exceed weight capacity of 2,000 Lb. (907 kg) for FULL drum, 1,000 Lb. (454 kg) for HALF-FULL drum.

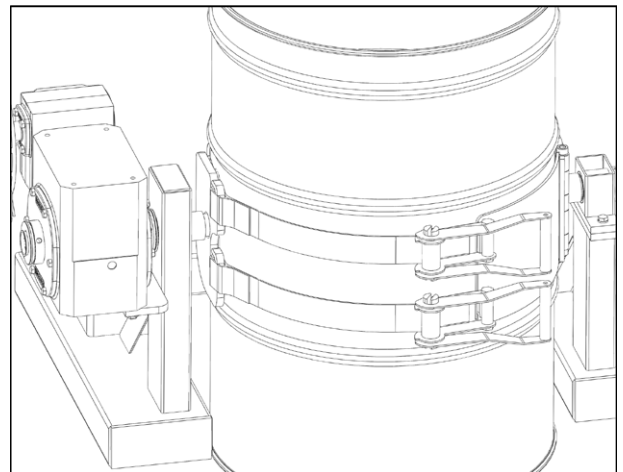
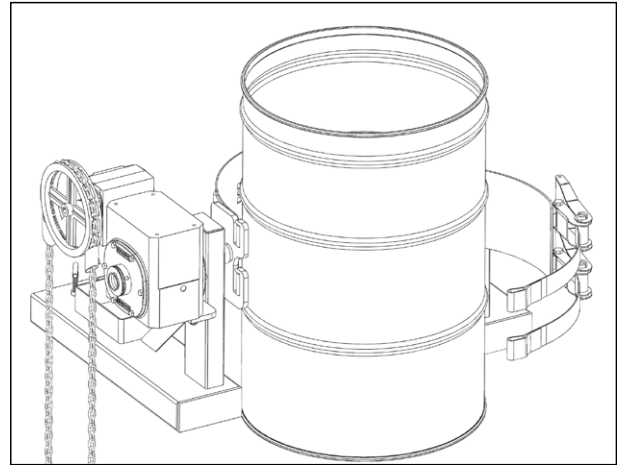


**CAUTION:** DO NOT allow drum to impact on floor, ground, or dumping station, etc.

**Operator's Manual for Morse Extra Heavy-Duty Forklift-Karrier Model 285A-GR**  
**Serial Number 0912 to \_\_\_\_ (MMYY)**

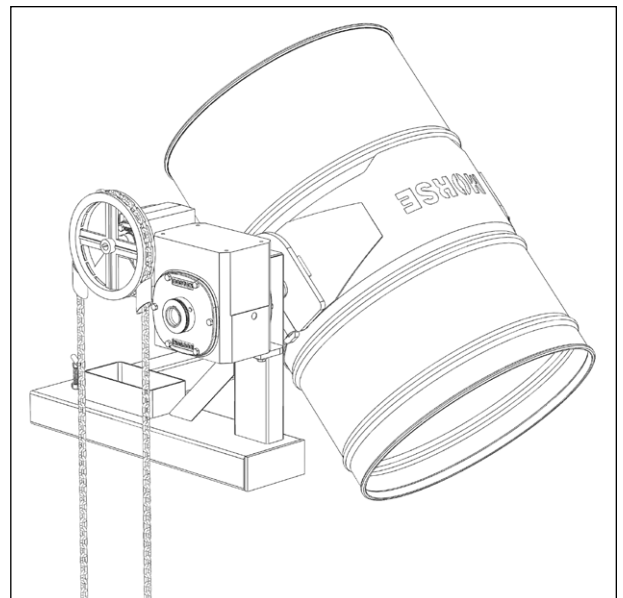
**Operating Instructions**

1. Before sliding forklift forks into the fork tubes, adjust forks to an inside spread of 25" (63.5 cm) minimum. Lock forks into position on the forklift carriage.
2. Drive the forklift forward to slip the forks into the fork tubes of the base frame (item 17). Tighten tee screws (item 2) to secure the Forklift-Karrier to the forks. Transport Forklift Karrier to drum to be handled.
3. Release both ratchet straps from clevis plate and swing open ratchet hinge plate.
4. Drive the forklift with the Forklift Karrier near floor level to position the saddle band around the middle of the drum between the ribs.
5. Secure drum into drum holder. Place each strap loop onto clevis plate. Operate ratchets to tighten straps against the drum.
6. Remove pull chain (item 11) from chain box on base frame (item 17) and place end of loop near operator's seat.
7. Raise forks to clear the floor and transport drum in vertical position to dispensing location. While transporting, ensure that the drum is raised away from the floor to prevent the drum bottom from interfering with a pallet or other obstacle.
8. To pour drum: pull on chain (item 11), rotating drum to angle required for dispensing. To control the pouring angle of the drum, pay out one side of chain and pull the other side to prevent the drum from free-wheeling.
9. When dispensing is completed, rotate the drum back to vertical and return drum. Remove drum by operating the ratchet to loosen each web strap around the drum. Release both ratchet straps from clevis plate and swing open ratchet hinge plate.

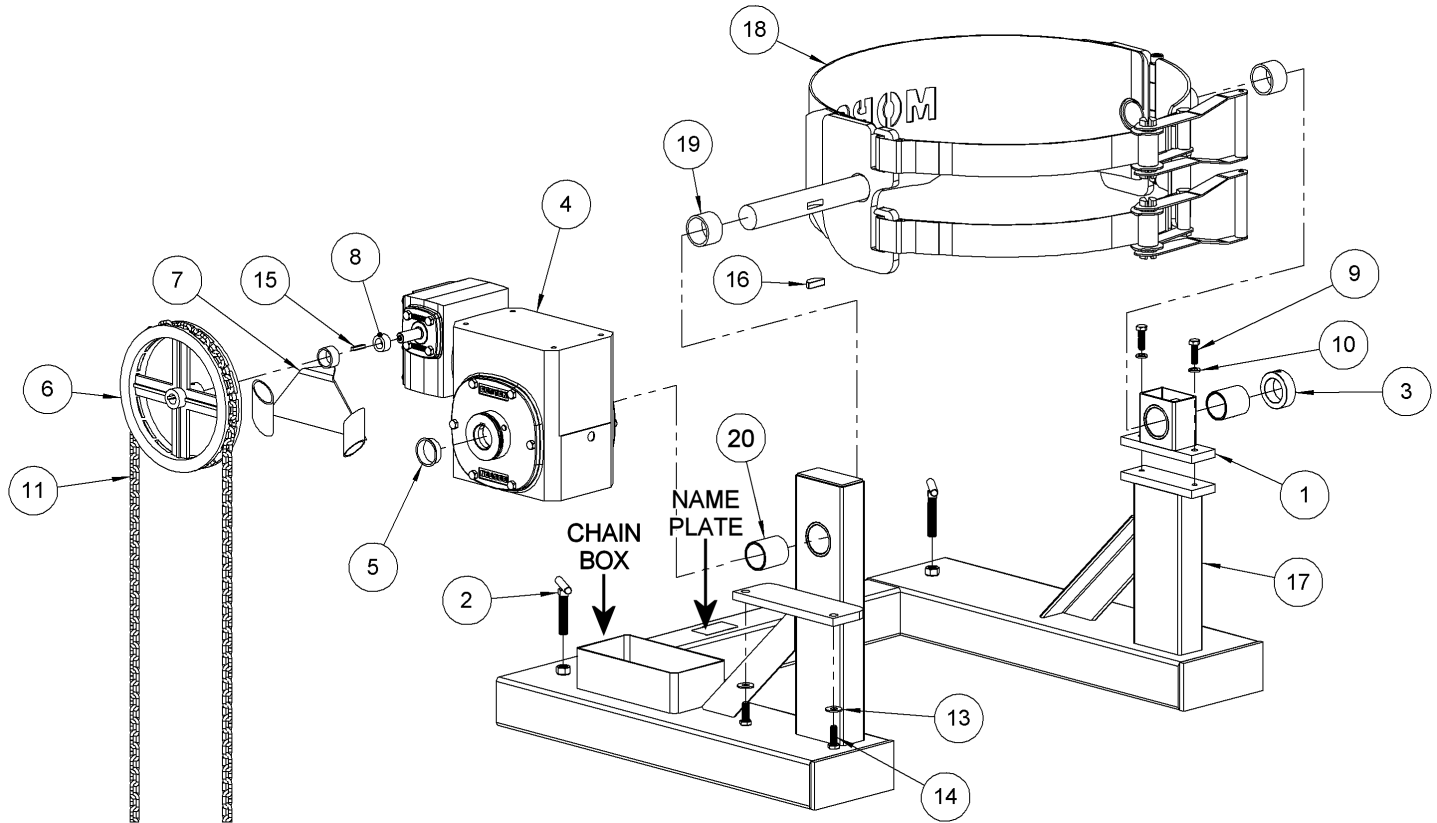


**Maintenance**

1. Inspect oil level in gear box / speed reducer and fill with high quality, synthetic lubricant for gears if necessary. Use [Klubersynth UH1 6-460 \(#096060\)](http://www.klubersynth.com) or equivalent.
2. Periodically inspect all moving parts, framework, ratchets, straps and contact areas for signs of wear, fatigue, or loosening. Tighten, adjust or replace parts as necessary to prevent failure and maintain proper function.
3. Worn or damaged parts must be properly replaced with the correct, genuine Morse parts.



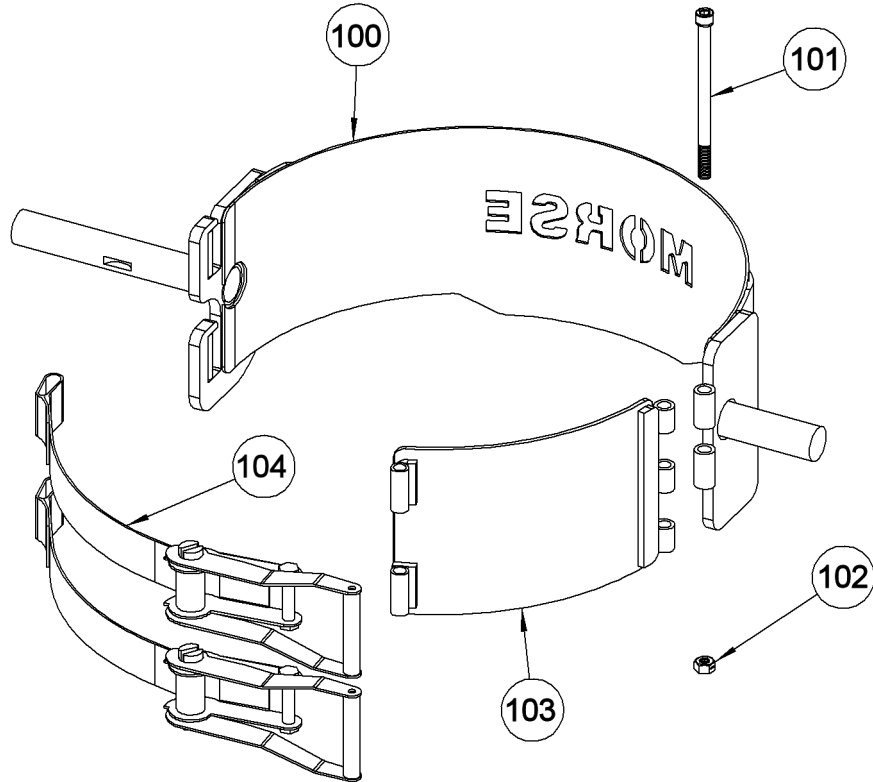
Operator's Manual for Morse Extra Heavy-Duty Forklift-Karrier Model 285A-GR  
Serial Number 0912 to \_\_\_\_ (MMYY)



ITEM	QTY.	PART #	DESCRIPTION
1	1	595-P	IDLER BEARING ASM, 285A-GR
2	2	58-P	SET SCREW, LOCK TEE, 285
3	1	570-P	COLLAR, 1-1/2" ID
4	1	603-P	SPEED REDUCER, 2 STAGE, 285GR
5	1	3652-P	PLUG, SPEED REDUCER, GR SERIES
6*	1	1322-P	POCKET CHAIN WHEEL, 3/4 BORE
7	1	1304-P	GUIDE, POCKET CHAIN WHEEL
8	1	1324-P	BUSHING, 5/8 ID X 1" OD
9	2	535-P	HHCS, 3/8-16 X 1-1/4 GR5
10	2	1474-P	WASHER, 3/8 SPLIT LOCK
11*	1	3-285-P	CHAIN, PULL, POCKET 20' LENGTH
12	2	1000-P	SET SCREW, 1/4 - 20 X 1/4
13	2	1166-P	WASHER, 3/8 USS 1" OD
14	2	1502-P	HHCS, 7/16-14 X 1-1/4 GR5
15	1	1326-P	KEY, SQUARE, 3/16 X 1"
16	1	525-P	KEY, WOODRUFF, SIZE F, ASA1211
17	1	4902-P	BASE FRAME 285GR W/ BRG
18	1	5185-P	SADDLE ASM, GR, STRAP
19	2	5184-P	SPACER, GR SADDLE, PIPE
20	2	560-P	BEARING, 1-1/2" ID X 2", GR

\* Recommended spare parts

Operator's Manual for Morse Extra Heavy-Duty Forklift-Karrier Model 285A-GR  
Serial Number 0912 to \_\_\_\_ (MMYY)



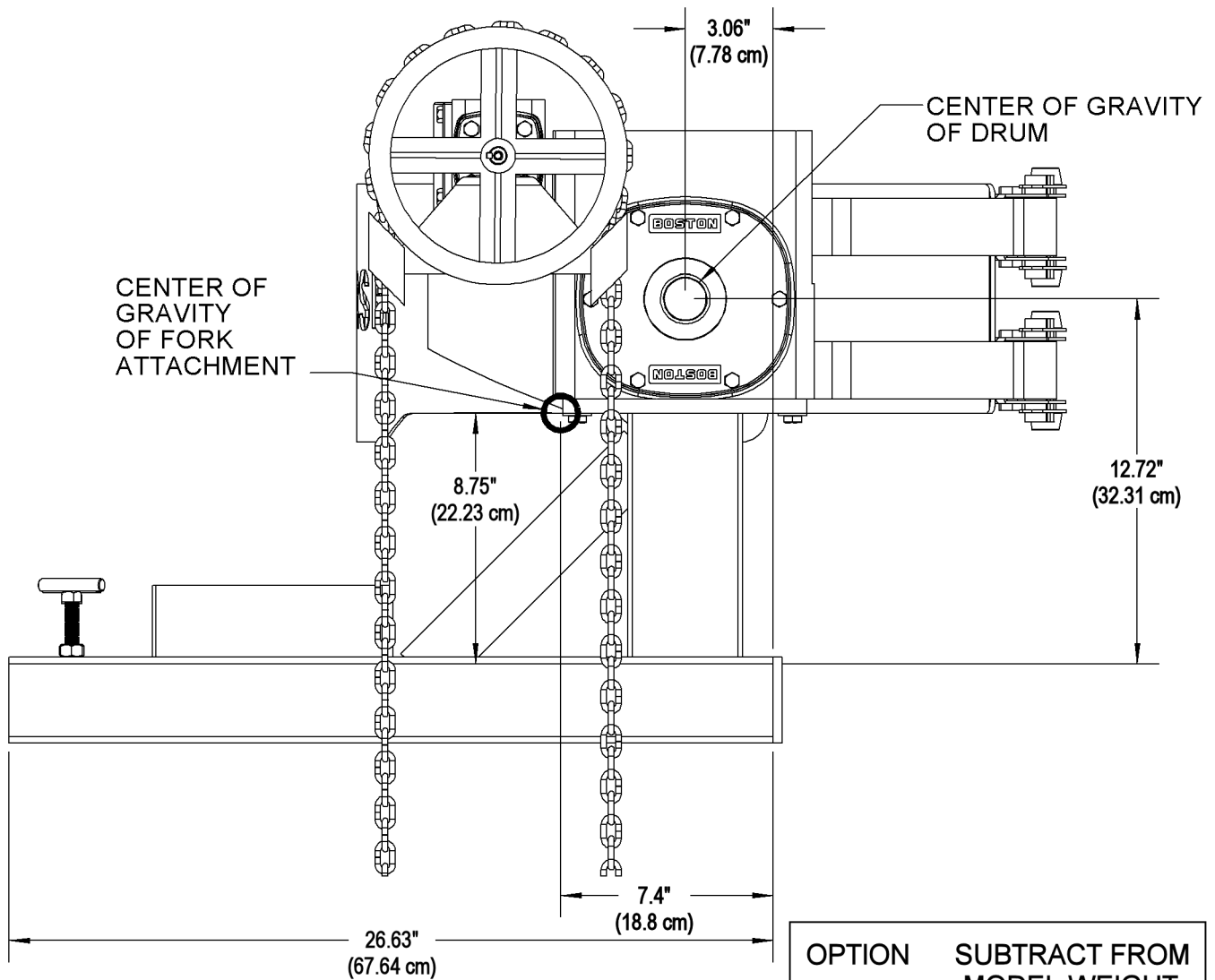
ITEM #	QTY.	PART #	DESCRIPTION
100	1	5185W-P	SADDLE WELD, GR STRAP
101	1	3592-P	SHCS, 1/2-13 X 7-1/2
102	1	810-P	NUT, 1/2-13 REV HEX LOCK
103	1	5187-P	HINGE PLATE, GR, STRAP
104*	2	4449-P	WEB TIE DOWN ASM, 2" X 3'

\* Recommended spare parts.



Operator's Manual for Morse Extra Heavy-Duty Forklift-Karrier Model 285A-GR  
 Serial Number 0912 to \_\_\_\_ (MMYY)

CENTER OF GRAVITY DIMENSIONS FOR CALCULATING LOST LOAD ON EQUIPMENT



MORSE MODEL # 285A-GR WEIGHT: 253 Lb. (114.76 kg)  
 MAXIMUM DRUM WEIGHT: 2000 Lb. (907 kg)

OPTION	SUBTRACT FROM MODEL WEIGHT
X02	11 Lb.
X03	9 Lb.