

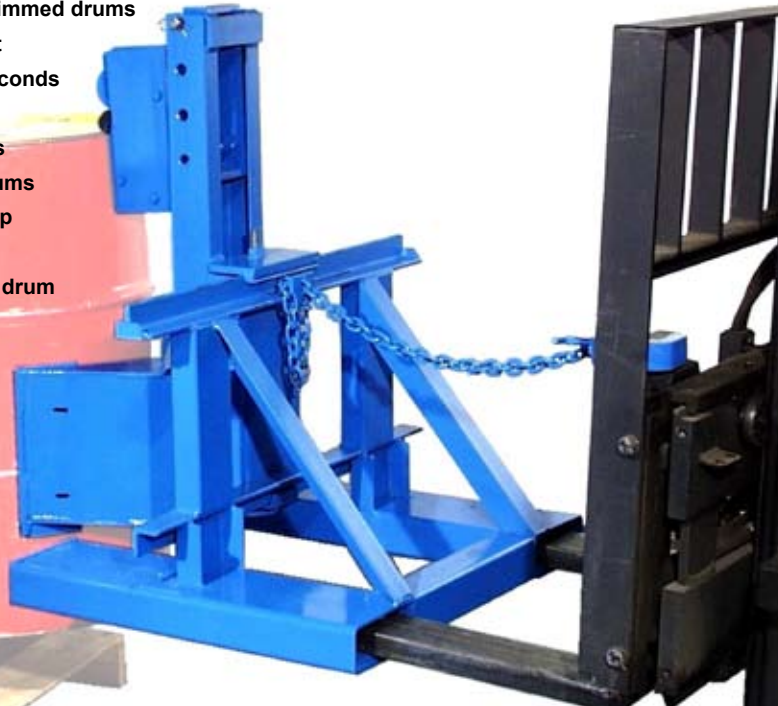
MORSpeed™ Drum Handlers

>> [Click to Watch Video](#) <<

Move more drums with MORSpeed™

- Lift, move and place rimmed drums right from your forklift
- Mounts on forks in seconds without any tools
- No power connections
- Raise forks to grip drums
- Massive steel jaws grip upper rim of drums
- 1500 Lb. Capacity per drum

All MORSpeed™ Forklift Attachments allow you to grab, lift, move and place drums in minimum time without leaving the driver's seat of your fork truck. Raise and lower the forks to grab and release drums. The massive steel jaws are contoured to securely grasp the drum. They are completely mechanical and automatic.



Model 288-1 is designed to handle one rimmed drum.



Model 288-1-2H has two heads to handle one rimmed drum.



Model 288-2 has two heads to handle one or two rimmed drums at a time.



Model 288-2-2H has two heads per drum to handle one rimmed drum.

MORSpeed™ drum handlers work with straight walled drums or even deformed ribs, since they do not depend on the drum ribs or friction. They do not require any modification to your truck. The forklift operator just raises and lowers the forks and drives forward and back as necessary. Handle virtually any rimmed drum in a wide range of sizes and weights:

- Steel drum with closed head or removable top with clamp ring. Plastic drum with non-removable top. Fiber drum with metal clamp ring closure secured.
- Even works with straight walled or damaged drums.
- Requires 24" (61 cm) minimum drum height, but will work with any diameter drum.
- Minimum weight per drum required to actuate jaws:
 - 75 Lb. (34 kg) on a model with one head per drum
 - 350 Lb. (156 kg) with two heads per drum
- Works with or without pallets.
- Contact Morse for advice on suitability of unusual drums or rim shapes.



Wide MORSpeed™ jaws are contoured to securely grasp virtually any rimmed drum. The encased mechanism provides precise, reliable, automatic drum gripping.



Models with two heads per drum reduce stress on the rim by distributing the weight between two sets of jaws. This is a feature of models 288-1-2H, 288-2-2H and 287-2H.

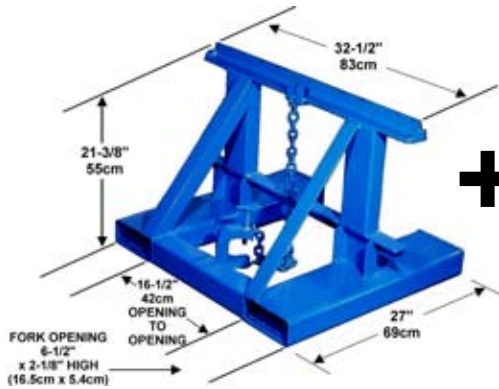
Model #	Description	Ship Weight
288-1	Fork mount, Handles 1 drum with 1 head	267 Lb. (121 kg)
288-1-2H	Fork mount, Handles 1 drum with 2 heads	314 Lb. (142 kg)
288-2	Fork mount, Handles 2 drums with 1 head per drum	389 Lb. (176 kg)
288-2-2H	Fork mount, Handles 2 drums with 2 heads per drum	485 Lb. (220 kg)
287	Carriage mount, handles 1 drum with 1 head	138 Lb. (63 kg)
287-2H	Carriage mount, handles 1 drum with 2 heads	186 Lb. (84 kg)
2523-P	Belted Backrest Kit	5 Lb. (2.3 kg)

See models with spark resistant parts on side 2

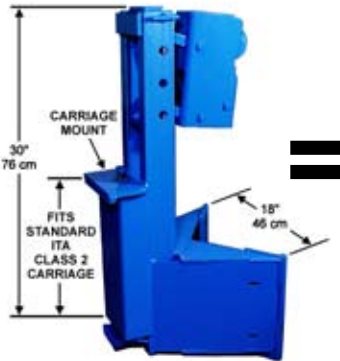
Morse Mfg. Co., Inc. • 727 West Manlius St. • P.O. Box 518 •
 Phone: (315) 437-8475 • Fax: (315) 437-1029 • Email: info@MorseDrum.com •

East Syracuse, NY 13057-0518
 Website: MorseDrum.com

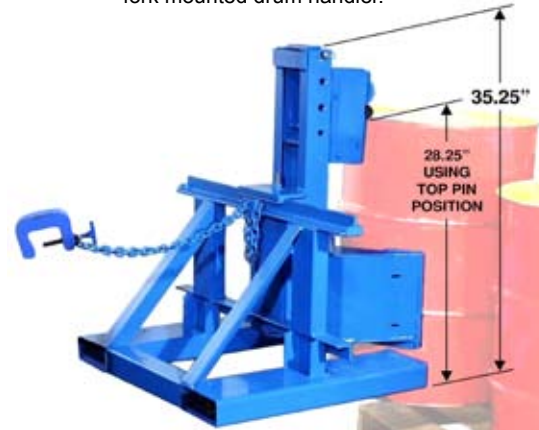
Model 288-0 Fork Reach Mount is a component of MORSpeed™ drum handlers, but is not a drum handler by itself.



Model 287 Carriage Mount can be mounted directly onto an ITA class 2 carriage without forks for use in tight spaces.



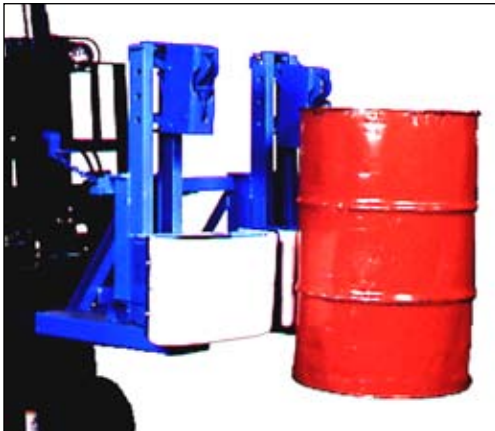
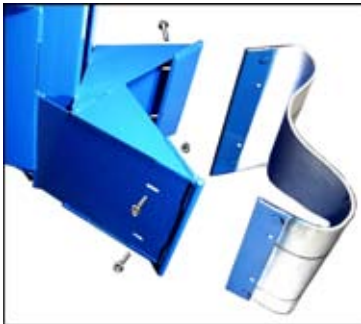
Combine 1 of model 288-0 with 1 of model 287 to make model 288-1 MORSpeed™ fork mounted drum handler.



MADE
IN
USA

Optional Belted Backrest

Kit # 2523-P Option puts a shock absorbent surface in front of the steel backrest of the MORSpeed™ to protect the finish on your drum. It is easy to install using 4 bolts provided. All MORSpeed™ models use one belt kit per drum.



Model 288-2 with 2 belt kits installed.

Please contact your Morse dealer

>> [Click to Watch Video](#) <<

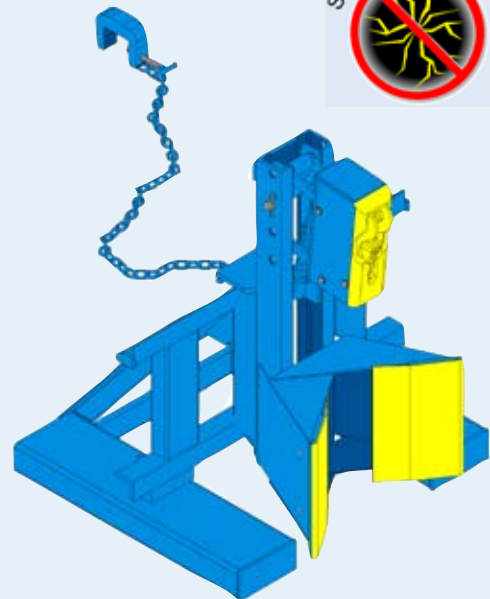
MORSpeed™ Models with Spark Resistant Parts

Models 288M-1, 288M-2 and 287M

The head and jaws that grip the drum, as well as the backrest of spark resistant MORSpeed™ models, are made of monel, not just coated or painted. These monel parts are illustrated yellow here for clarity, but are painted blue on actual product.

Monel is an alloy consisting mostly of nickel and copper to minimize the possibility of sparking. Nozzles on gasoline pumps are made of monel.

Spark resistant parts are intended to reduce the possibility of mechanical sparks as a possible source of ignition. They are not a substitute for grounding and bonding to prevent static electricity discharges.



Model #	Description	Ship Weight
288M-1	Fork mount, spark resistant parts, handles 1 drum with 1 head	267 Lb. (121 kg)
288M-2	Fork mount, spark resistant parts, handles 1 or 2 drums with 1 head per drum	381 Lb. (173 kg)
287M	Carriage mount, spark resistant parts, handles 1 drum with 1 head	138 Lb. (63 kg)
2523-P	Belted Backrest Kit	5 Lb. (2.3 kg)