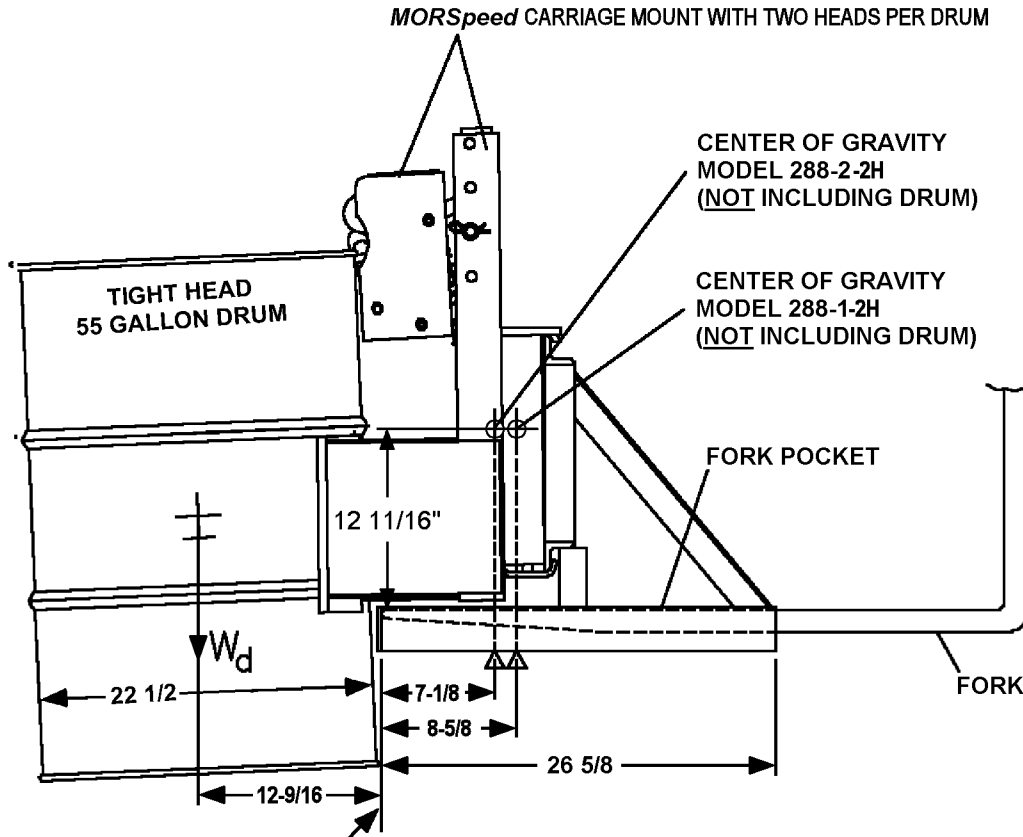


**Lost Load Capacity with
 Morse Model 288-1-2H or 288-2-2H MORSpeed Fork Truck Attachments
 with Serial Number 0301 to ____ (MMYY)**

**CENTER OF GRAVITY DIMENSIONS
 FOR CALCULATING LOST LOAD ON EQUIPMENT**



DIMENSIONS ARE MEASURED FROM INSIDE OF FORK TUBE END. THIS WILL GIVE A FIXED POINT TO WHICH LOST LOAD DATA CAN BE DETERMINED. (FORKS MUST BE TOUCHING THIS FORK TUBE END.)

W_d = WEIGHT OF DRUM
 MAX = 1500 LB. FOR 288-1
 MAX = 3000 LB. FOR 288-2

MODEL	NET WEIGHT
288-1-2H	294 Lb.
288-2-2H	465 Lb.

OPTION	ADD TO MODEL
2523-P	5 LB.
(2) 2523-P	10 LB.