



JOB:  
ITEM:  
QTY:



## LOW BOY STOCK CART

### APPLICATION:

These carts are specially designed for transporting heavy loads from the backroom to the floor. Rounded front helps protect walls and displays.

### MATERIAL:

Framework is constructed out of 1 1/2"x 1 1/2"x.070" wall tubing. Handle is constructed out of 1 5/16" diameter pipe.

### CASTERS:

Model #1183 comes equipped with four 5" platform type swivel casters and two 6" platform type rigid casters. Model #1184 comes equipped with four 5" platform type casters, two swivel and two rigid.

### GUARANTEE:

These carts carry a **Lifetime Guarantee** against rust and corrosion and also carry a **Five-Year Guarantee** against workmanship and material defects.

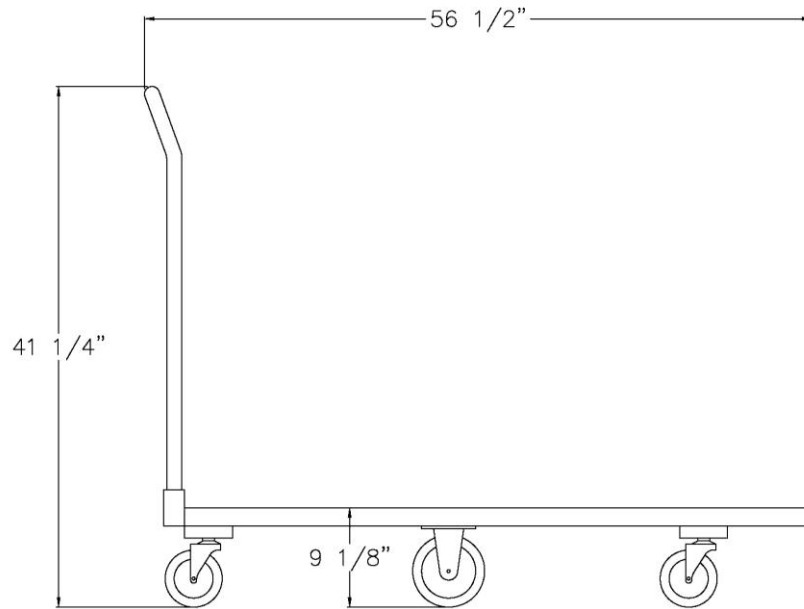
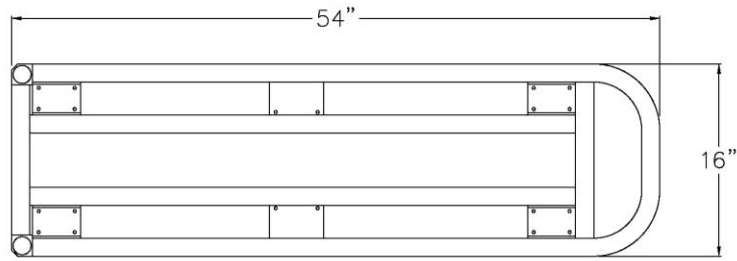


**Model #1183**



Phone: 800-255-0104  
Fax: 877-877-7687  
[www.newageindustrial.com](http://www.newageindustrial.com)  
[sales@newageindustrial.com](mailto:sales@newageindustrial.com)

New Age Industrial reserves the right to modify or make changes at any time without notice to materials and specifications.



**Model #1183**

Model No.	Size-W	Size-H	Size-L	Wt. Cap.	Deck Ht.	No. Casters
1183	16"	41 1/4"	56 1/2"	1000#	9 1/8"	6
1184	14"	40"	39"	1000#	7 3/4"	4



Phone: 800-255-0104  
 Fax: 877-877-7687  
[www.newageindustrial.com](http://www.newageindustrial.com)  
[sales@newageindustrial.com](mailto:sales@newageindustrial.com)

New Age Industrial reserves the right to modify or make changes at any time without notice to materials and specifications.