

Job: _____

Item: _____

Quantity: _____

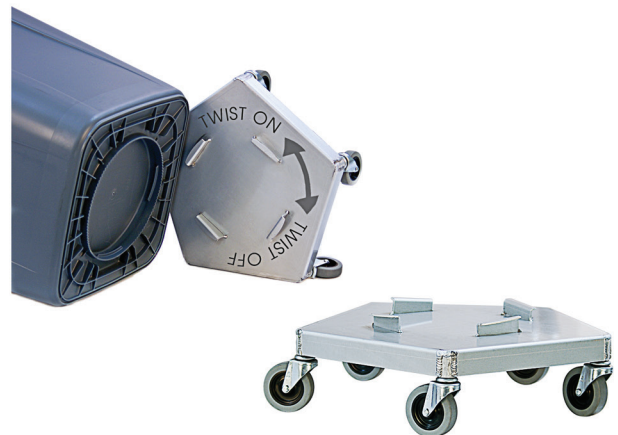
New Age Industrial Corp., Inc.

PO Box 520 • 16788 US Hwy 36 • Norton, Kansas 67654

Phone: 800-255-0104 • Fax: (877)-877-7687 • www.NewAgeIndustrial.com

#50125 - Trash Dolly

- Accommodates round or square “Brute” and “Huskee” containers.
- Casters are mounted at the outside perimeter which offers much more stability.
- This simple 5 caster design makes the caster footprint larger without enlarging the overall unit footprint.
- Five-Year Guarantee against material defects and workmanship.
- Lifetime Guarantee against rust and corrosion.



#50125

This information is for general sales and engineering use only. New Age Industrial reserves the right to modify or make changes at any time without notice to materials and specifications.



Distributed by:

Job: _____

Item: _____

Quantity: _____

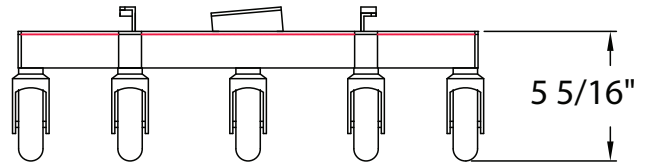
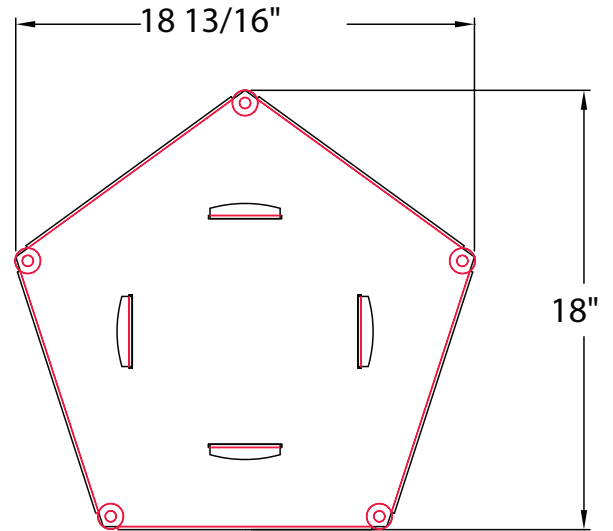
New Age Industrial Corp., Inc.

PO Box 520 • 16788 US Hwy 36 • Norton, Kansas 67654

Phone: 800-255-0104 • Fax: (877)-877-7687 • www.NewAgeIndustrial.com

#50125 - Trash Dolly

- Constructed of heavy duty, fully welded aluminum.
- Four, heavy duty tabs secure containers in place.
- Equipped with (5) 3" x 1" stem type swivel casters with a 125# weight capacity each.
- Five-Year Guarantee against material defects and workmanship.
- Lifetime Guarantee against rust and corrosion.

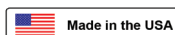


#50125

Model No.	Size W-H-D	Wt. Cap.	Ship Wt.
50125	18- $\frac{3}{4}$ " x 7" x 18- $\frac{3}{4}$ "	125#	8#

Five 3" stem type casters (#C405).

This information is for general sales and engineering use only. New Age Industrial reserves the right to modify or make changes at any time without notice to materials and specifications.



Distributed by: