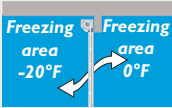


To divide two areas
in freezer environment,
without obstructing traffic.

ISO Frigo I

Steel structure



Iso Frigo I is designed for separating two areas in freezer environment, without obstructing traffic.

It combines a flexible screen reinforced for pressure differences with a free® multiflexible® soft bottom edge and a steel structure treated for operating in deep-freeze conditions.

Dimensions up to 10 x 15 ft (14 x 15 ft upon request).

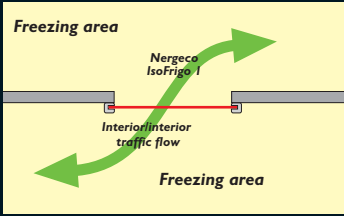
Also available in the same product line : Iso Frigo 2 to separate a chilled and ambient area, Iso Frigo 3 for enhanced insulation of freezers.

NERGECO

Over 25 years' experience in productivity doors for your industry, your process, your site

Installation

The independent structure is fitted in the opening, inside or outside of the volume to be insulated.

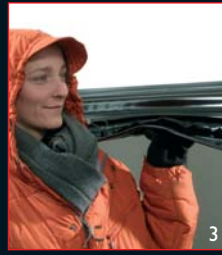
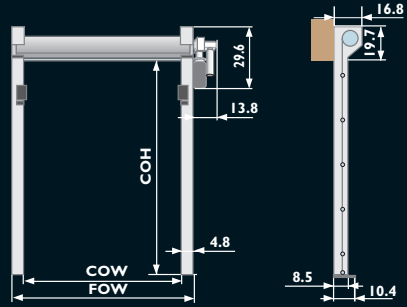


Operation

- **Opening:** "just in time®", manual or automatic with all kinds of activator; with a speed up to 48 in/s.
- **Closing:** "fast®", manual or automatic with an adjustable timer, at a speed up to 48 in/s.
- **Motor unit:** fitted on the left or right side - 1.5 hp - Stainless steel brake - Deep-Freeze grade lubrication.
- **Power supply:** 208/230/460/575 V, 3 phase + neutral for anti-freeze system + ground, 60 Hz, upstream circuit breaker protection.

Insulation

- **Closed door:** the flexible curtain can withstand pressure differences up to 3.9 inches of water column and limits the peripheral leakage area.
- **At each cycle:** it reduces the opening time with "just in time®" opening and fast® closing with enhanced safety.



Adapted for cold room processes

- With no rigid bottom bar nor captured to the guides (1), the free®, multiflexible® soft bottom edge (3) reduces the opening time for each cycle with enhanced safety.
- In the event of horizontal brushing with a forklift, the soft bottom edge slides with the obstacle and automatically gets back into the guides during the following cycle (4).
- Steel structure with non corrosive coating and wear protection.
- Low diffusion self-regulated anti-freeze system integrated in the vertical guides.
- Spare parts readily available from stock.