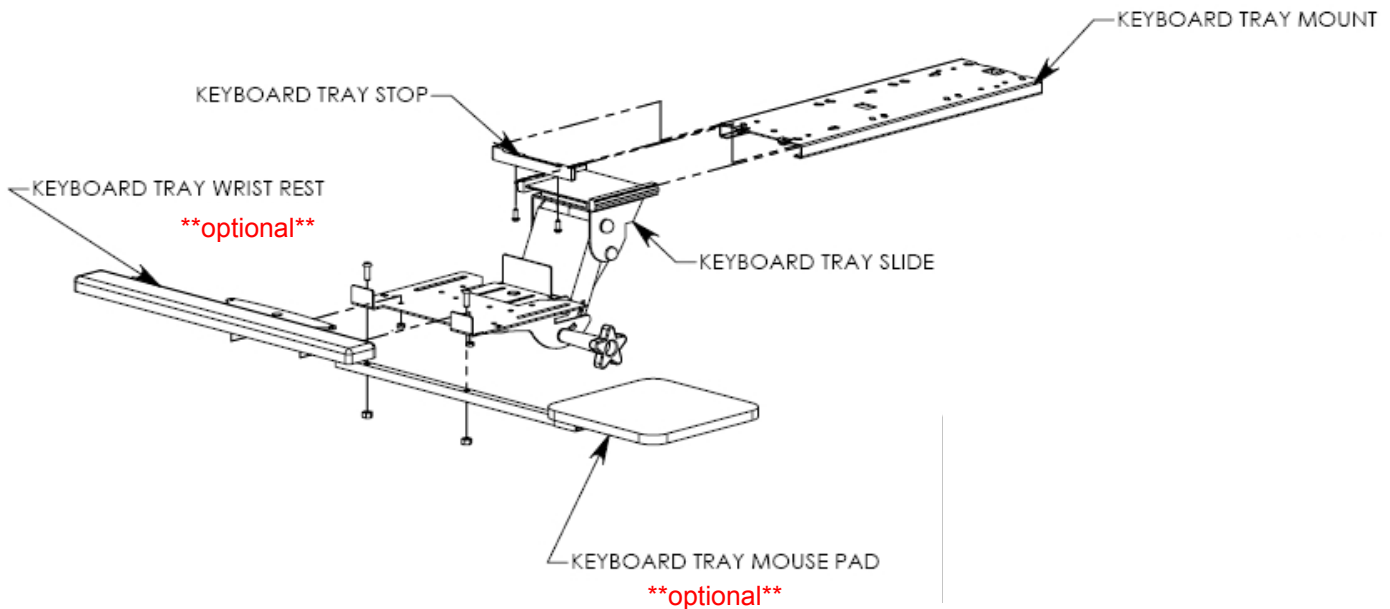


Keyboard Tray Assembly Instructions



Assembly Instructions

1. Slide keyboard tray into keyboard tray base
2. Insert keyboard tray stop into front keyboard tray base and secure with (2) #10 x 1/2" long screws.
3. Insert studs on (Optional) keyboard wrist rest into keyboard tray slide and secure with (2) plastic nuts.
4. (Optional) Fasten keyboard mouse tray to keyboard tray slide using (2) #10 x 1" long screws and nuts.
5. Position keyboard tray assembly onto underside of the worksurface as shown and secure using (6) wood screws. **Keyboard tray mount should be spaced as shown on diagram to the right.**

