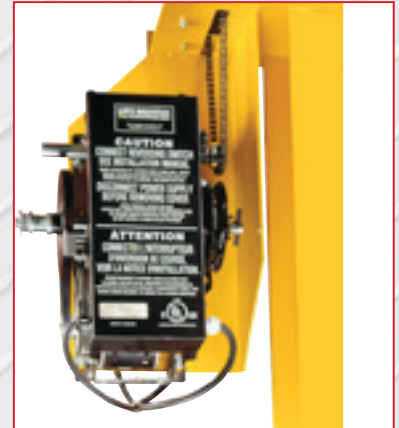


## POWERED AND MANUAL SAFETY BARRIER GATES



Power Unit



Controller

Impact Bumper



### FEATURE SUMMARY

- Prevents Fork Truck Passage Through Openings  
Avoiding Dangerous Drops
- Prevents Damage to Overhead Door Tracks and Panels
- Painted High Visibility Safety Yellow with  
Black & Yellow Safety Striping
- Counter Balance System Provides a Smooth & Easy Operation
- Designed to Withstand an Impact Force of  
Over 10,000 pounds at 4 MPH
- Many System Integration Options to Improve Safety
- Energy Absorbing Bumpers Protect Gate, Fork Truck  
& Building from Impact
- Easy to Install and Simple to Operate
- Available in Electric Powered Model (shown)  
or Simple Manual Operation



*Dedicated People ~ Superior Products*



## SPECIFICATIONS

### SAFETY BARRIER GATE

#### DESCRIPTION

The FALL-STOP™ Series Safety Barrier Gates improves safety with strength, convenience and reliability. The lowered gate prevents forklift trucks from passing through an opening where a dangerous drop may occur.

When used at a loading dock it further prevents door track and panel damage caused by forklifts and pallet handling. The ASG Model is a premium-powered unit with push button controls and electric drive. The MSG model is an affordable alternative that is positioned manually.

A counter balance system provides a smooth, safe and easy operation. Energy absorbing bumpers protect gate, truck and building from damaging impact forces.

#### OPERATION

The barrier is stored thirty inches above floor level preventing forklift passage and protecting the door. The lowered barrier is designed to withstand an impact force of over 10,000 pounds moving at four miles per hour. When required, the forklift operator raises the gate either by push button or manually, depending on model. Available integration systems can detect and prevent unsafe conditions by removing power to controls and/or sounding an alarm. When passage is no longer required the operator lowers the gate.

#### CONSTRUCTION

The structural column assembly is a robust design constructed from a wide flange beam welded to a 1/2" gusseted footplate. The barrier beam is a welded structural assembly that surrounds the upright columns and travels in a straight vertical direction. Cellular bumpers attached to the barrier beam, isolate the beam from the column providing an energy-absorbing cushion during impact.

A maintenance free counter balance weight is enclosed within the upright column with an access cover for ease of installation. The entire structure is painted high visibility yellow with black and yellow warning labels across barrier beam. The ASG electric model has a power requirement of 1/2 HP 115 volt, single phase.

#### INSTALLATION

The Nordock Safety Barrier Gate is mounted to the building floor by means of galvanized concrete wedge anchors. The operator, limits, push button and optional components are installed in accordance with instructions contained in the installation and owners manual.

#### SYSTEM INTEGRATION

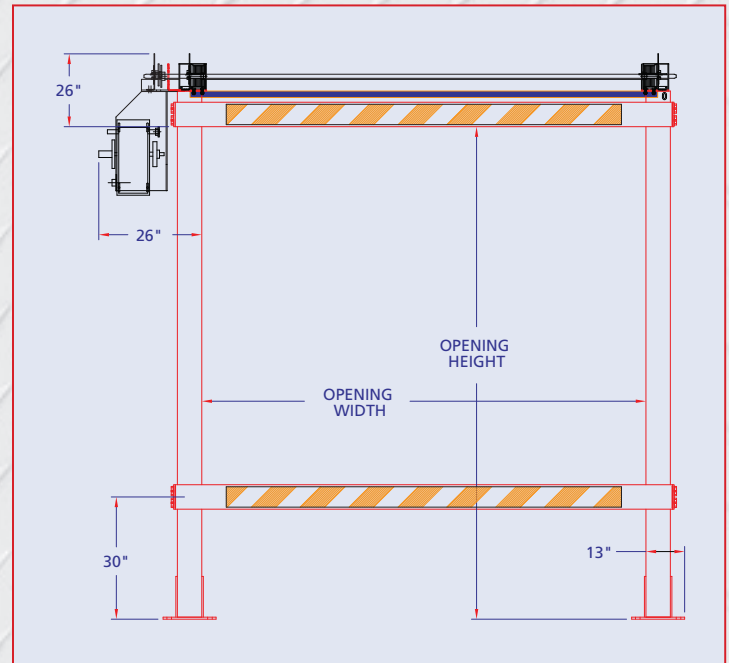
Various equipment integration systems are available to provide a safe sequence of operations. The barrier gate, door, dock leveler, vehicle restraint and communication lights can all be integrated to ensure an optimum safety system.

#### OPTIONS

- Galvanized Steel Structure
- System Integrations
- Photo Electric Safety Stop
- NEMA 4 Weatherproof Electrics

#### SIZES AND DIMENSIONS

Standard clear openings from 7 feet wide x 8 feet high to 10 feet wide x 10 feet high in 1 foot increments. Consult factory for custom sizes or applications



#### WARRANTY

Nordock guarantees that the FALL-STOP™ Series Safety Barrier Gates will perform as described and to the full satisfaction of the purchaser for one-year from date of receipt.

# NORDOCK® INC.

Website: [www.nordockinc.com](http://www.nordockinc.com) ~ Email: [Sales@nordockinc.com](mailto:Sales@nordockinc.com) ~ Toll Free: 866-885-4276

Nordock Inc. reserves the right to make changes to specifications without notice or obligation. Nordock products are covered by various U.S. and foreign patents or pending applications.