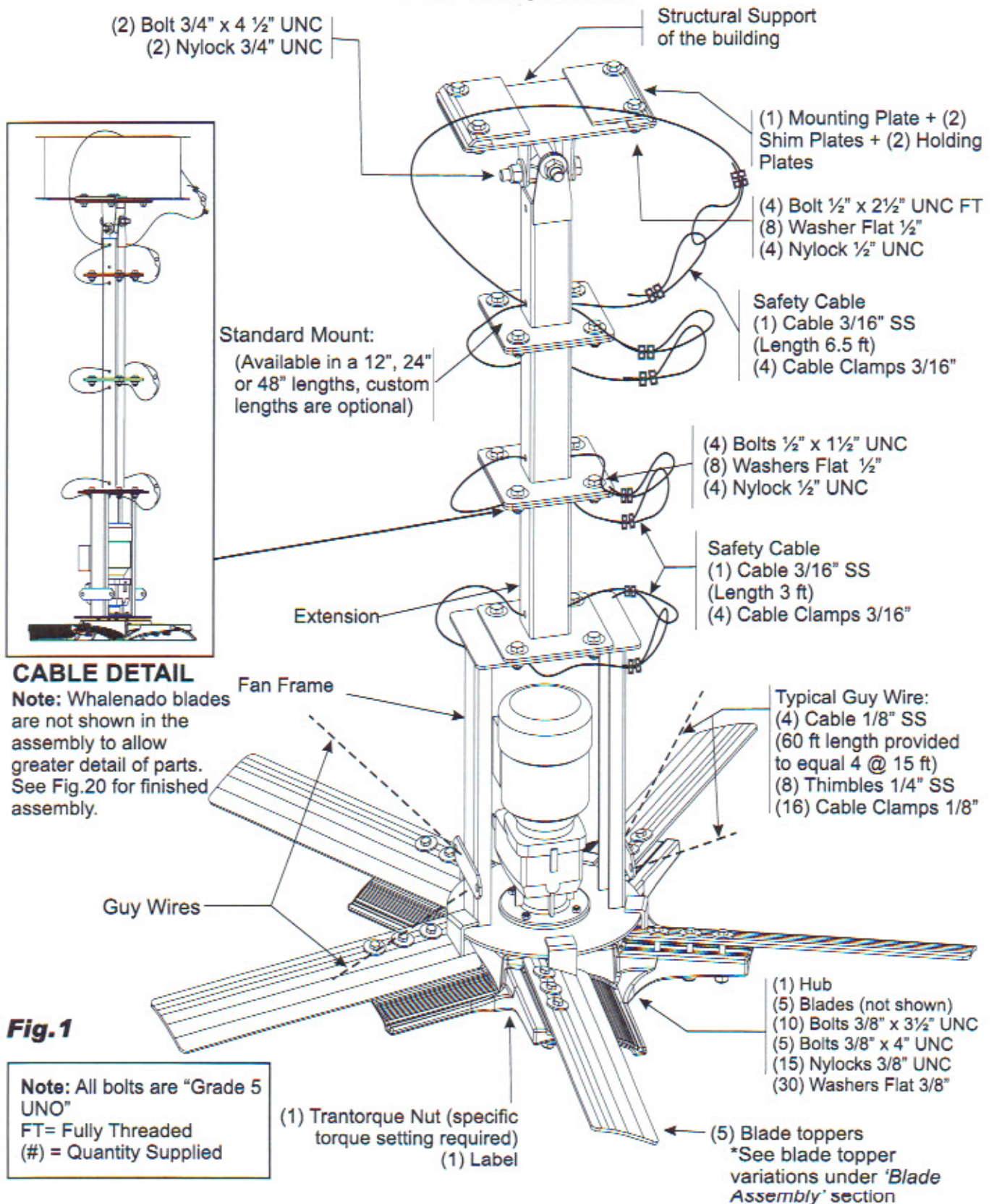


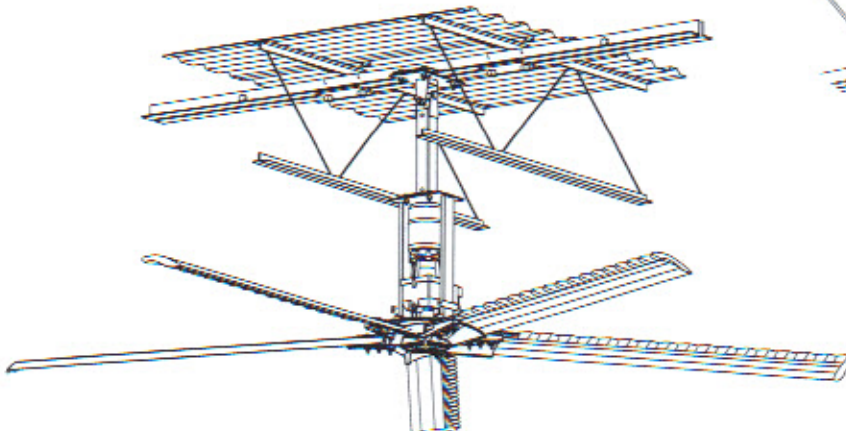
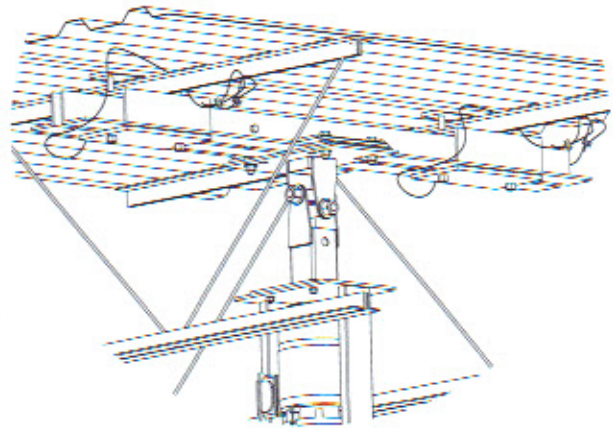
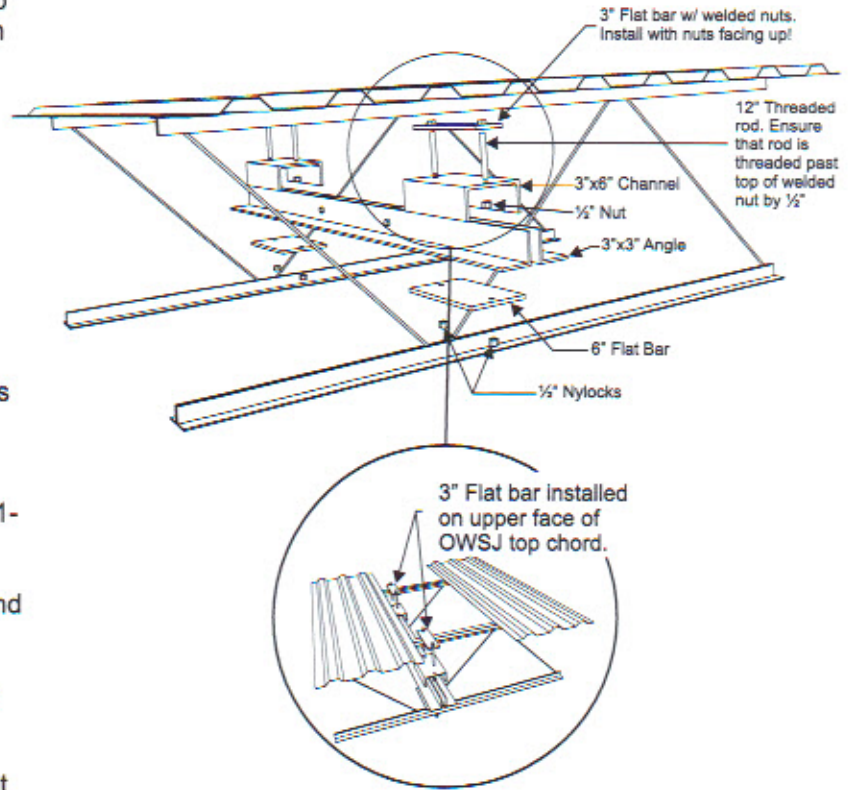
## Fan Components



### 3/ Different Mounting Applications - OWSJ Mounting Details

1. Install 3" flat bar over the top chord of web truss. ensure that flat bar is installed with nut side up.
2. Install both threaded rod into 3" flat bar, beyond the flat surface of each nut.
3. Install channel open side down onto threaded rod using ½" nuts thus sandwiching top chord of truss. (as per details)
4. Install 6" flat bar onto threaded rod using ½" nylocks to hold in place (thread nylocks 1" onto rod).
5. Multiple mounting points are required to carry the beam assembly. repeat steps 1-4 as required.
6. Assemble 3x3 angles together with nuts and bolts creating a beam assembly.
7. Take beam assembly and slide it on top of each 6" flat bar.
8. Tighten the ½" nylocks that holds the 6" flat bars sandwiching the entire assembly together.
9. Thread safety around beam assembly and top chord of truss at each mounting point. safety cable must be fasten together with looped ends as shown in detail.

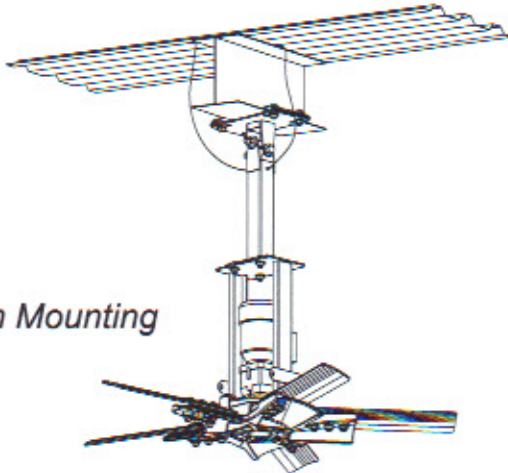
Truss mount is now complete!



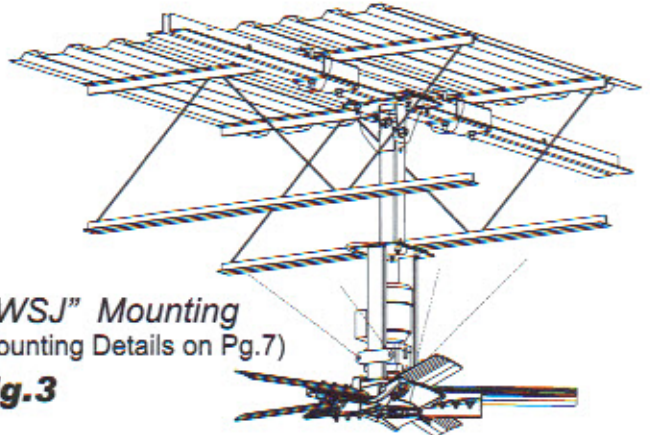
### 3/ Different Mounting Applications

**NOTE:** The following mounting applications are representations only and are subject to change without notice. Contact your sales representative or the Whalenado office for complete mounting instructions.

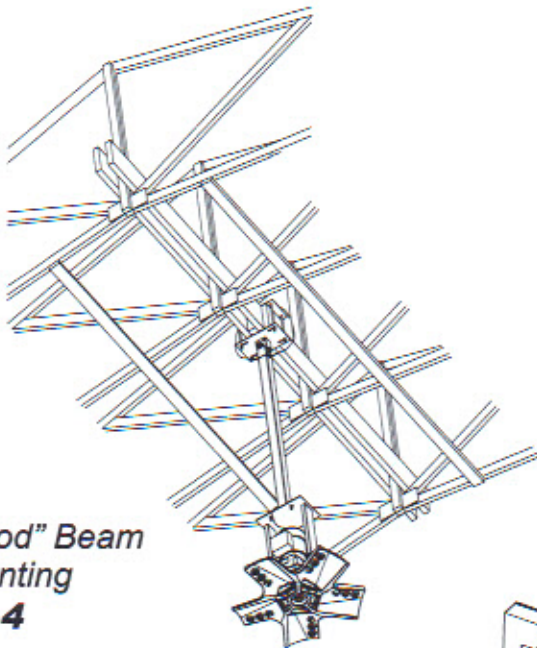
*"I" Beam Mounting*  
**Fig.2**



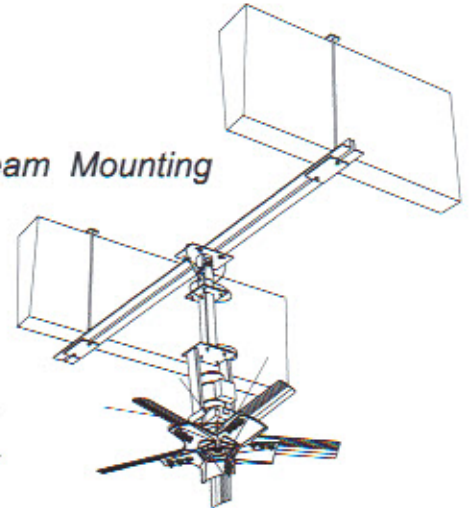
*"OWSJ" Mounting*  
(Mounting Details on Pg.7)  
**Fig.3**



*"Wood" Beam Mounting*  
**Fig.4**



*"Concrete" Beam Mounting*  
**Fig.5**



*Purlin "Z" Mounting*  
(Mounting Details on Pg.6)  
**Fig.6**

