

# 14" High Velocity Fan

## YM-Yoke Mount Standard



### Mounting Options



PS-Pedestal Stroller

Shipping Weights: 78 lbs/35 kg



CW-Column Wall Mount

64 lbs/29 kg



TC-Truck Cooler Mount

58 lbs/26 kg



PB Pedestal Base

56 lbs/23kg

SIZE	CFM	HP	FAN DIMENSIONS			DISTANCE AIR THROW	SHIPPING WEIGHT
			W	D	I.D.		
14"	2600	1/4	20"	16"	14 5/8"	60' / 18m	42lbs/19kg

**Propeller:** 14" Diameter, 3 Blade GalvAlum (37 Degree)

**Fan Inlet/Outlet:** 16 Gauge Spun Steel

**Finger Guards:** Wire Mesh\*\*

**RPM:** 1725

**Decibels:** 68 dba Standard

**Enclosure:** TEAO Standard

**Frame:** 48

**Ambient Temperature:** 40C

**Duty Cycle:** Continuous

**Power Cord (115V Only):** 12' Length

**Coverage:** 1800 Sq.Ft. Max

**Warranty:** 2 Years

Voltage	Motor Amps	Running Amps
115V/208-230V*	2.8/1.4	2.8/1.4
208-230/460V	1.4-1.5/.75	1.4/.70

\* Standard

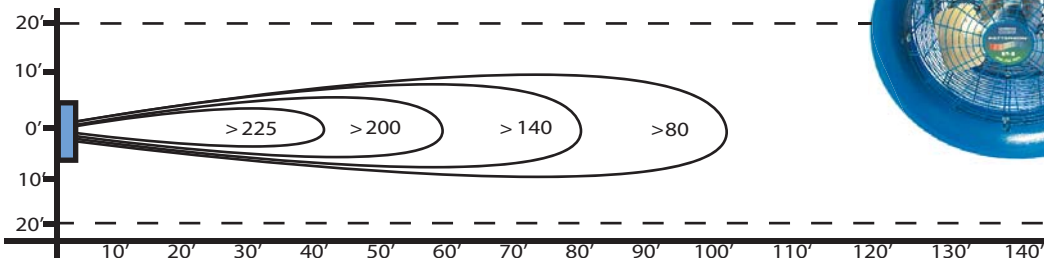


RM-Rack Mount Fan

**NEW!**



14" High Velocity Fan Air Flow Pattern



Above velocities shown in feet per minute.

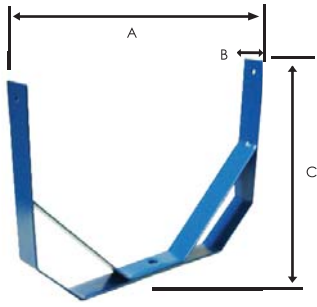
11/18/08

Note: Due to continual product improvement, items are subject to change without notice.

Patterson Fan Company, Inc  
 Blythewood, SC 29016  
[www.pattersonfan.com](http://www.pattersonfan.com)  
 800.768.3985

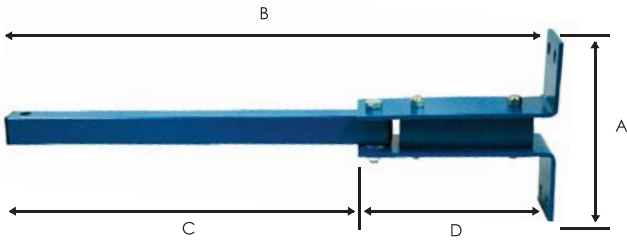


## YM Yoke Mount



SIZES	MOUNT DIMENSIONS			SHIPPING WEIGHT
	A	B	C	
YM-14"	14"	2"	14"	8 lbs/4 kg
YM-18"	19.5"	2"	14.5"	12 lbs/5 kg
YM-22"	24"	2"	18"	15 lbs/7 kg
YM-26"	28"	4"	19.5"	16.5 lbs/7.4 kg
YM-30"	30.5"	4"	20.75"	18 lbs/8 kg

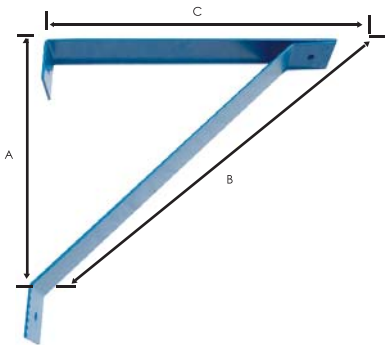
## TC Truck Cooler Mount



# Mounts

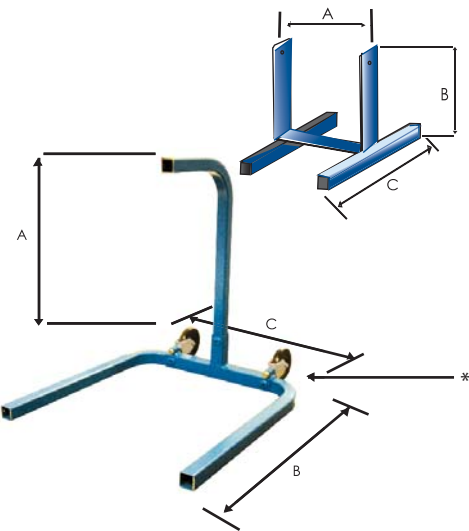
SIZES	A	MOUNT DIMENSIONS			SHIPPING WEIGHT
		B	C	D	
14" & 18"	10.5"	36"	25"	11"	18 lbs/8 kg

## CW Column Wall Mount



SIZES	MOUNT DIMENSIONS			SHIPPING WEIGHT
	A	B	C	
All Sizes: 14" - 30"	27"	38"	27"	22 lbs/10 kg

## PB Portable Base Mount / PS Portable Stroller Mount



SIZES	MOUNT DIMENSIONS			SHIPPING WEIGHT
	A	B	C	
PB-14"	14.5"	15.25"	15.5"	12 lbs/5 kg
PB-18"	19.5"	16"	17"	16 lbs/7 kg
PB-22"	24"	20.5"	23"	20 lbs/9 kg
PB-26"	28"	21.5"	26"	23.5 lbs/10.6 kg
PB-30"	31"	22.5"	26"	26 lbs/12 kg

SIZES	MOUNT DIMENSIONS			SHIPPING WEIGHT
	A	B	C	
All Sizes: 14" - 30"	32"	35"	32"	38lbs/17kg

\* 5" Castor Wheels

## Options

Contact your sales representative for available options.

Note: Due to continual product improvement, items are subject to change without notice.

Patterson Fan Company, Inc  
1120 Northpoint Blvd. • Blythewood, SC 29016

www.pattersonfan.com  
800.768.3985