

14"

GALVANIZED HIGH VELOCITY FAN

As shown:
Yoke Mount Standard

Mounting Options



PS-Pedestal Stroller



CW-Column Wall Mount

Shipping Weights: 78 lbs/35 kg

64 lbs/29 kg

SIZE	CFM	HP	FAN DIMENSIONS			DISTANCE AIR THROW	SHIPPING WEIGHT
			W	D	I.D.		
14"	2600	1/4	20"	16"	14 5/8"	60' / 18m	42lbs/19kg

Propeller: 14" Diameter, 3 Blade GalvAlum (37 Degree)

Fan Inlet/Outlet: Galvanized 16 Gauge Spun Steel

Finger Guards: Galvanized Steel Mesh**

RPM: 1725

Decibels: 68 dba Standard

Enclosure: TEAO Standard/Washdown Available

Frame: 48

Ambient Temperature: 40C

Duty Cycle: Continuous

Power Cord (115V Only): 12' Length

Coverage: 1800 Sq.Ft. Max

Waranty: 2 Years

Voltage

Motor Amps

Running Amps

115V/208-230V*

2.8/1.4

2.8/1.4

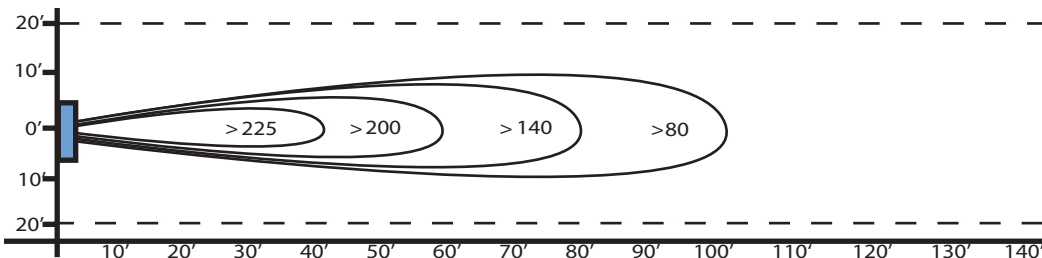
208-230/460V

1.4-1.5/.75

1.4/.70

* Standard

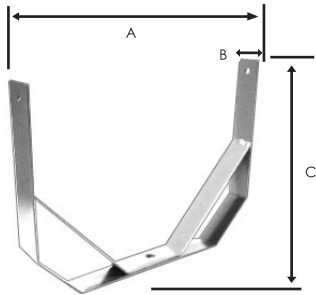
14" High Velocity Fan Air Flow Pattern



Above velocities shown in feet per minute.

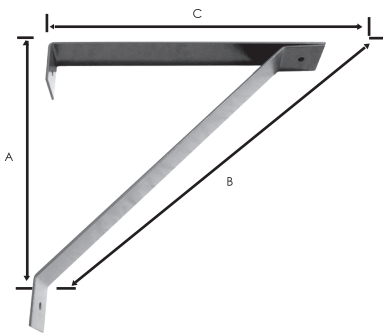


YM Yoke Mount



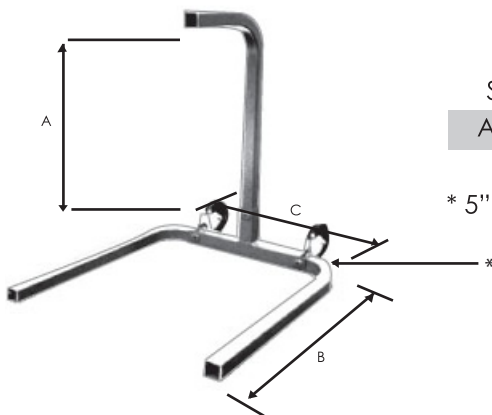
SIZES	MOUNT DIMENSIONS			SHIPPING WEIGHT
	A	B	C	
YM-14"	14"	2"	14"	8 lbs/4 kg
YM-18"	19.5"	2"	14.5"	12 lbs/5 kg
YM-22"	24"	2"	18"	15 lbs/7 kg
YM-26"	28"	4"	19.5"	16.5 lbs/7.4 kg
YM-30"	30.5"	4"	20.75"	18 lbs/8 kg

CW Column Wall Mount



SIZES	MOUNT DIMENSIONS			SHIPPING WEIGHT
	A	B	C	
All Sizes: 14" - 30"	27"	38"	27"	22 lbs/10 kg

PS Pedestal StrollerMount



SIZES	MOUNT DIMENSIONS			SHIPPING WEIGHT
	A	B	C	
All Sizes: 14" - 30"	32"	35"	32"	38lbs/17kg

* 5" Castor Wheels

Contact your sales representative for available options.