

# 18"

# GALVANIZED HIGH VELOCITY FAN



As shown:  
Yoke Mount Standard



PS-Pedestal Stroller



CW-Column Wall Mount

## Mounting Options

Shipping Weights: 92 lbs/42 kg

78 lbs/35kg

SIZE	CFM	HP	FAN DIMENSIONS			DISTANCE AIR THROW	SHIPPING WEIGHT
			W	D	I.D.		
18"	3800	1/2	24"	16"	19 1/8"	80' / 24m	56 lbs/25 kg

**Propeller:** 17" Diameter, 3 Blade GalvAlum (33 Degree)

**Fan Inlet/Outlet:** Galvanized 16 Gauge Spun Steel

**Finger Guards: Galvanized**

OSHA STANDARD Steel Mesh

**RPM:** 1725

**Decibels:** 76.5 dba

**Enclosure:** TEAO Standard/ Washdown Available

**Frame:** 56

**Ambient Temperature:** 40C

**Duty Cycle:** Continuous

**Power Cord (115V Only):** 12' Length

**Coverage:** 2700 Sq.Ft. Max

**Warranty:** 2 Years

Voltage

Motor  
Amps

Running  
Amps

115V/208-230V\*

6.0/2.9-3.0

5.4/2.6-2.7

208-230/460V

2.3-2.4/1.2

2.0-2.1/1.1

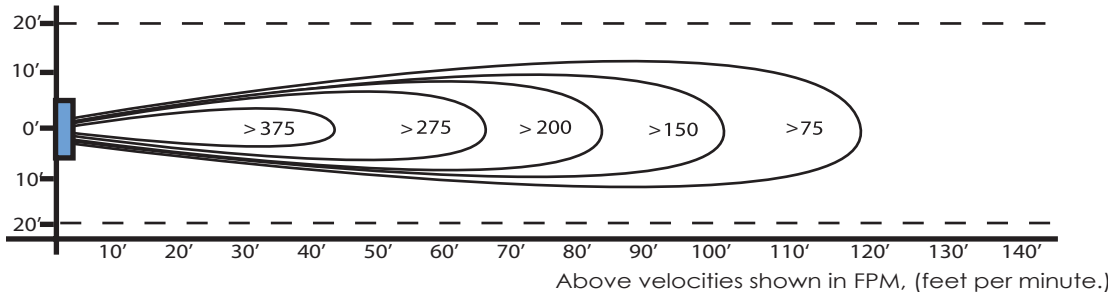
277V

3.6

3.2

\* Standard

18" High Velocity Fan Air Flow Pattern

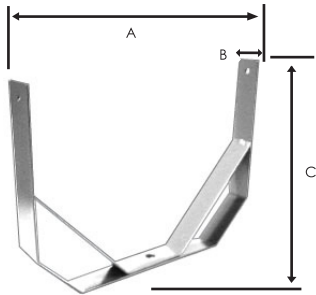


Note: Due to continual product improvement, items are subject to change without notice.  
\*\*Finger guards come standard on the YM-18, hand guards are not available.

Patterson Fan Company, Inc  
Blythewood, SC 29016  
www.pattersonfan.com  
800.768.3985

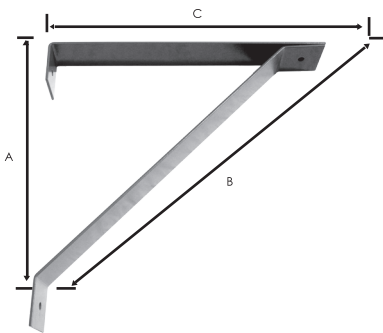


**YM Yoke Mount**



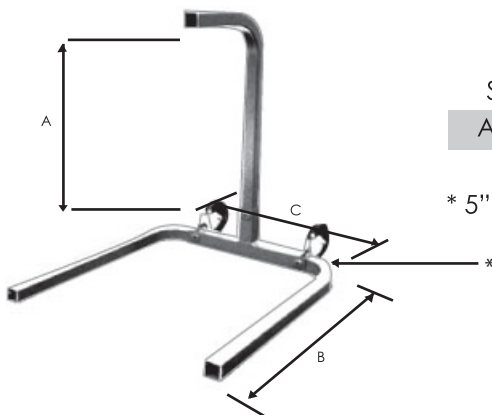
SIZES	MOUNT DIMENSIONS			SHIPPING WEIGHT
	A	B	C	
YM-14"	14"	2"	14"	8 lbs/4 kg
YM-18"	19.5"	2"	14.5"	12 lbs/5 kg
YM-22"	24"	2"	18"	15 lbs/7 kg
YM-26"	28"	4"	19.5"	16.5 lbs/7.4 kg
YM-30"	30.5"	4"	20.75"	18 lbs/8 kg

**CW Column Wall Mount**



SIZES	MOUNT DIMENSIONS			SHIPPING WEIGHT
	A	B	C	
All Sizes: 14" - 30"	27"	38"	27"	22 lbs/10 kg

**PS Pedestal StrollerMount**



SIZES	MOUNT DIMENSIONS			SHIPPING WEIGHT
	A	B	C	
All Sizes: 14" - 30"	32"	35"	32"	38lbs/17kg

\* 5" Castor Wheels

Contact your sales representative for available options.