

26"

GALVANIZED HIGH VELOCITY FAN

As shown:
Yoke Mount Standard

Mounting Options



PS-Pedestal Stroller



CW-Column Wall Mount

Shipping Weights: 129 lbs/59 kg

115 lbs/52kg

| SIZE | CFM | HP | FAN DIMENSIONS | | | DISTANCE AIR THROW | SHIPPING WEIGHT |
|------|------|----|----------------|-------|------|--------------------|-----------------|
| | | | W | D | I.D. | | |
| 26" | 7650 | 1 | 33" | 18.5" | 27" | 150' / 46m | 93lbs/42kg |

Propeller: 26" Diameter, 3 Blade GalvAlum (18 Degree)

Fan Inlet/Outlet: Galvanized 14 Gauge Spun Steel

Finger Guards: Galvanized OSHA Approved Steel Mesh

RPM: 1800

Decible: 85.5 dba

Enclosure: TEAO / Wash Down Optional

Frame: 56

Ambient Temperature: 40C

Duty Cycle: Continuous

Power Cord (115V Only): 12' Length

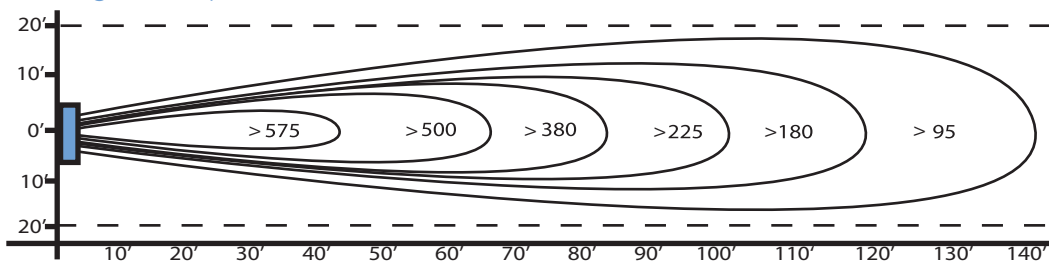
Coverage: 6100 Sq.Ft. Max

Warranty: 2 Years

| Voltage | Motor Amps | Running Amps |
|----------------|--------------|--------------|
| 115V/208-230V* | 13.4/6.8-6.7 | 12.4/6.3-6.2 |
| 208-230/460V | 3.5-3.6/1.8 | 3.2-3.3/1.66 |
| 277V | 5.6 | 5.2 |

* Standard

26" High Velocity Fan Air Flow Pattern



Above velocities shown in feet per minute.



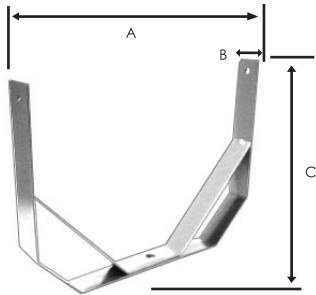
10/12/09

Note: Due to continual product improvement, items are subject to change without notice.

Patterson Fan Company, Inc
Blythewood, SC 29016
www.pattersonfan.com
800.768.3985

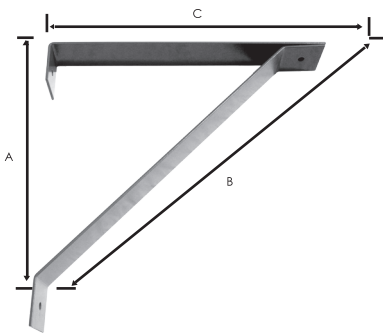


YM Yoke Mount



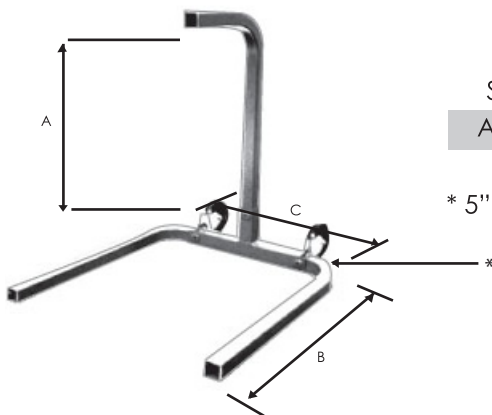
| SIZES | MOUNT DIMENSIONS | | | SHIPPING WEIGHT |
|--------|------------------|----|--------|-----------------|
| | A | B | C | |
| YM-14" | 14" | 2" | 14" | 8 lbs/4 kg |
| YM-18" | 19.5" | 2" | 14.5" | 12 lbs/5 kg |
| YM-22" | 24" | 2" | 18" | 15 lbs/7 kg |
| YM-26" | 28" | 4" | 19.5" | 16.5 lbs/7.4 kg |
| YM-30" | 30.5" | 4" | 20.75" | 18 lbs/8 kg |

CW Column Wall Mount



| SIZES | MOUNT DIMENSIONS | | | SHIPPING WEIGHT |
|----------------------|------------------|-----|-----|-----------------|
| | A | B | C | |
| All Sizes: 14" - 30" | 27" | 38" | 27" | 22 lbs/10 kg |

PS Pedestal StrollerMount



| SIZES | MOUNT DIMENSIONS | | | SHIPPING WEIGHT |
|----------------------|------------------|-----|-----|-----------------|
| | A | B | C | |
| All Sizes: 14" - 30" | 32" | 35" | 32" | 38lbs/17kg |

* 5" Castor Wheels

Contact your sales representative for available options.