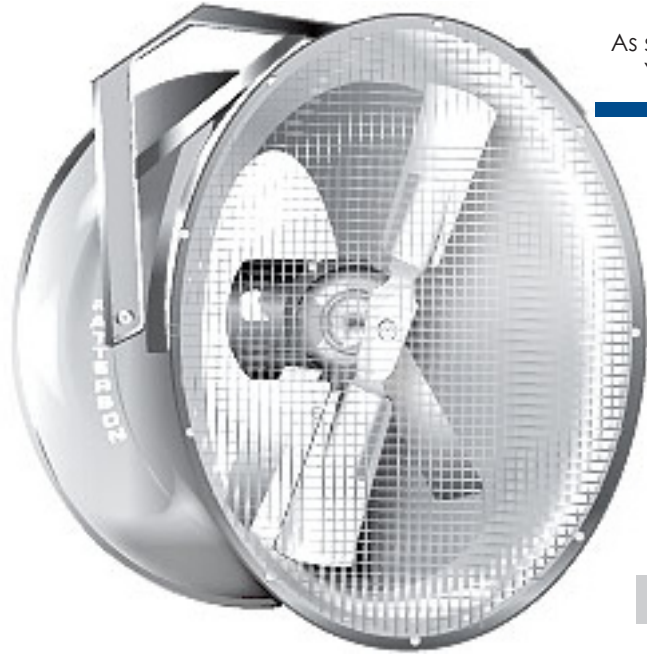


# 30"

# GALVANIZED HIGH VELOCITY FAN

As shown:  
Yoke Mount Standard

## Mounting Options



PS-Pedestal Stroller



CW-Column Wall Mount

Shipping Weights: 161 lbs/73 kg

147 lbs/67 kg

SIZE	CFM	HP	FAN DIMENSIONS			DISTANCE AIR THROW	SHIPPING WEIGHT
			W	D	I.D.		
30"	12,000	1	37"	22"	30 7/8"	200' / 60m	125 lbs/57kg

**Propeller:** 30" Diameter, 3 Blade GalvAlum (15 Degree)  
**Fan Inlet/Outlet:** Galvanized 14 Gauge Spun Steel  
**Finger Guards:** Galvanized OSHA Approved Steel Mesh

**RPM:** 1800  
**Decible:** 90 dba

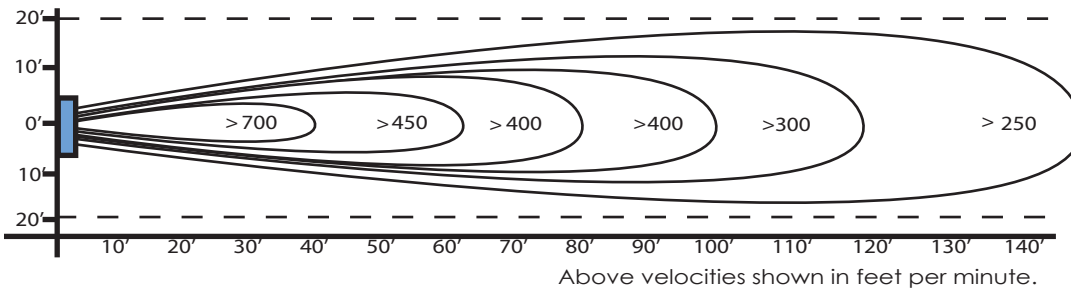
**Enclosure:** TEAO Standard/Washdown Available  
**Frame:** 56

**Ambient Temperature:** 40C  
**Duty Cycle:** Continuous  
**Power Cord (115V Only):** 12' Length  
**Coverage:** 12,000 Sq.Ft. Max  
**Warranty:** 2 Years

Voltage	Motor Amps	Running Amps
208-230/460V *	3.5-3.6/1.8	3.2-3.3/1.66
115V/208-230V	13.4/6.8-6.7	12.4/6.3-6.2
277V	5.6	5.2

\* Standard

30" High Velocity Fan Air Flow Pattern



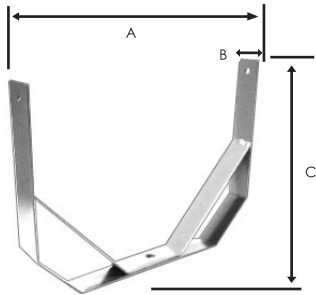
10/12/09

Note: Due to continual product improvement, items are subject to change without notice.

Patterson Fan Company, Inc  
 Blythewood, SC 29016  
[www.pattersonfan.com](http://www.pattersonfan.com)  
 800.768.3985

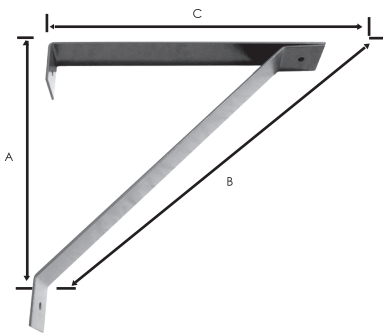


**YM Yoke Mount**



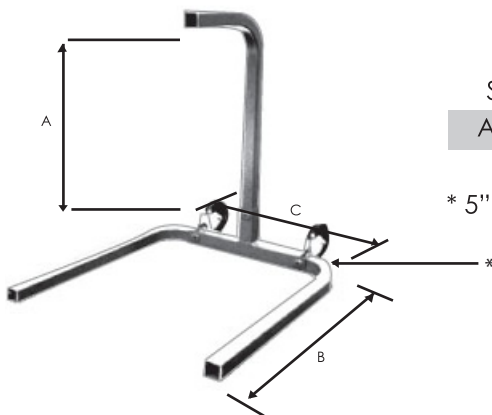
SIZES	MOUNT DIMENSIONS			SHIPPING WEIGHT
	A	B	C	
YM-14"	14"	2"	14"	8 lbs/4 kg
YM-18"	19.5"	2"	14.5"	12 lbs/5 kg
YM-22"	24"	2"	18"	15 lbs/7 kg
YM-26"	28"	4"	19.5"	16.5 lbs/7.4 kg
YM-30"	30.5"	4"	20.75"	18 lbs/8 kg

**CW Column Wall Mount**



SIZES	MOUNT DIMENSIONS			SHIPPING WEIGHT
	A	B	C	
All Sizes: 14" - 30"	27"	38"	27"	22 lbs/10 kg

**PS Pedestal StrollerMount**



SIZES	MOUNT DIMENSIONS			SHIPPING WEIGHT
	A	B	C	
All Sizes: 14" - 30"	32"	35"	32"	38lbs/17kg

\* 5" Castor Wheels

Contact your sales representative for available options.