

TC-18" High Velocity Fan

TC-Truck Mount

Mounting Options



Optional: High Pressure Sodium Lights Available. Please Call for Info



TC-Truck Cooler Mount



TC-Truck Cooler w/Dock Light

Shipping Weights:

72 lbs/32.66 kg

82 lbs/ 37.19 kg

MODEL	CFM	HP	FAN DIMENSIONS			DISTANCE AIR THROW	SHIPPING WEIGHT
			W	D	I.D.		
TC-18"	3800	1/2	24"	16"	19 1/8"	80' / 24m	82 lbs/37.19 kg

Propeller: 17 " Diameter, 3 Blade GalvAlum (33 Degree)
Fan Inlet/Outlet: 16 Gauge Spun Steel
Finger Guards: OSHA STANDARD, Spiral Wound Steel**
Dock Light: DL-INC-LH-PLPF-96 / 250 watts max

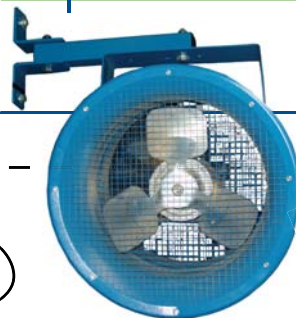
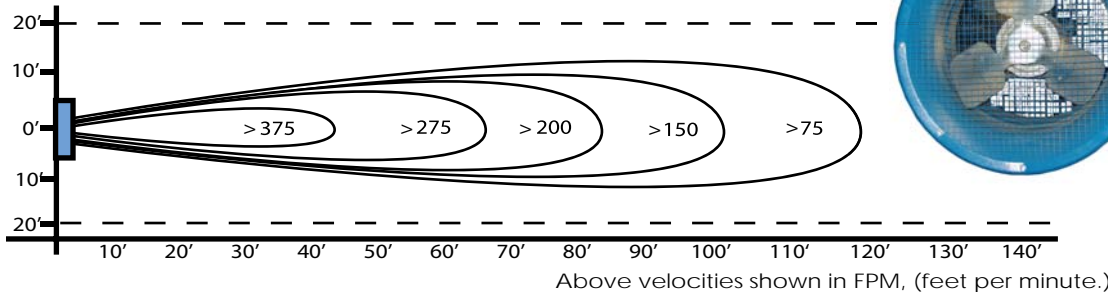
RPM: 1725
Decibels: 76.5 dba

Enclosure: TEAO Standard
Frame: 56
Ambient Temperature: 40C
Duty Cycle: Continuous
Power Cord (115V Only): 12' Length
Coverage: 2700 Sq.Ft. Max

Voltage	Motor Amps	Running Amps
115V/208-230V*	6.0/2.9-3.0	5.4/2.6-2.7
208-230/460V	2.3-2.4/1.2	2.0-2.1/1.1
277V	3.6	3.2

* Standard

18" High Velocity Fan Air Flow Pattern



Ask About Our NEW RM-Rack Mount Fan

NEW!



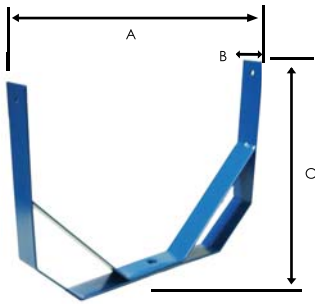
4/11/08

Note: Due to continual product improvement, items are subject to change without notice.
 **Finger guards come standard on the YM-18, hand guards are not available.

Patterson Fan Company, Inc
 Blythewood, SC 29016
 www.pattersonfan.com
 800.768.3985

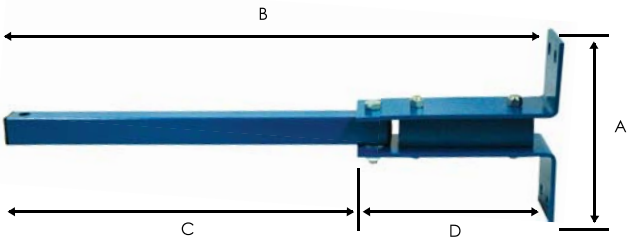


YM Yoke Mount



SIZES	MOUNT DIMENSIONS			SHIPPING WEIGHT
	A	B	C	
YM-14"	14"	2"	14"	8 lbs/4 kg
YM-18"	19.5"	2"	14.5"	12 lbs/5 kg
YM-22"	24"	2"	18"	15 lbs/7 kg
YM-26"	28"	4"	19.5"	16.5 lbs/7.4 kg
YM-30"	30.5"	4"	20.75"	18 lbs/8 kg

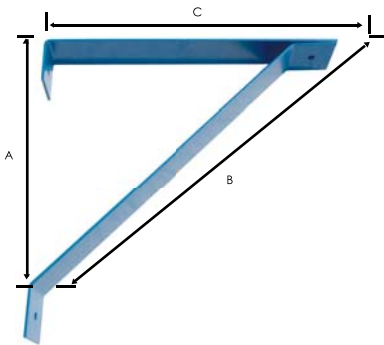
TC Truck Cooler Mount



Mounts

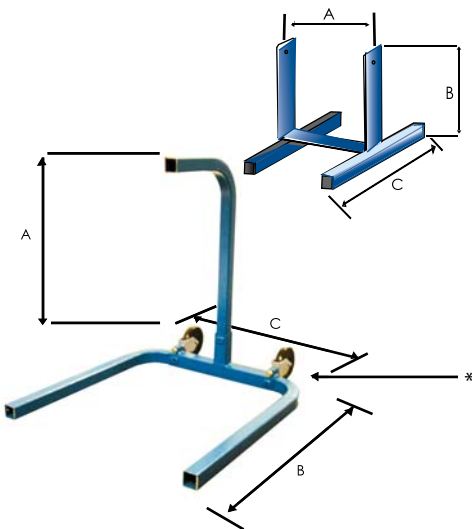
SIZES	MOUNT DIMENSIONS				SHIPPING WEIGHT
	A	B	C	D	
14" & 18"	10.5"	36"	25"	11"	18 lbs/8 kg

CW Column Wall Mount



SIZES	MOUNT DIMENSIONS			SHIPPING WEIGHT
	A	B	C	
All Sizes: 14" - 30"	27"	38"	27"	22 lbs/10 kg

PB Portable Base Mount / PS Portable Stroller Mount



SIZES	MOUNT DIMENSIONS			SHIPPING WEIGHT
	A	B	C	
PB-14"	14.5"	15.25"	15.5"	12 lbs/5 kg
PB-18"	19.5"	16"	17"	16 lbs/7 kg
PB-22"	24"	20.5"	23"	20 lbs/9 kg
PB-26"	28"	21.5"	26"	23.5 lbs/10.6 kg
PB-30"	31"	22.5"	26"	26 lbs/12 kg

SIZES	MOUNT DIMENSIONS			SHIPPING WEIGHT
	A	B	C	
All Sizes: 14" - 30"	32"	35"	32"	38lbs/17kg

* 5" Castor Wheels

Options

Contact your sales representative for available options.

Note: Due to continual product improvement, items are subject to change without notice.

Patterson Fan Company, Inc
1120 Northpoint Blvd. • Blythewood, SC 29016

www.pattersonfan.com
800.768.3985