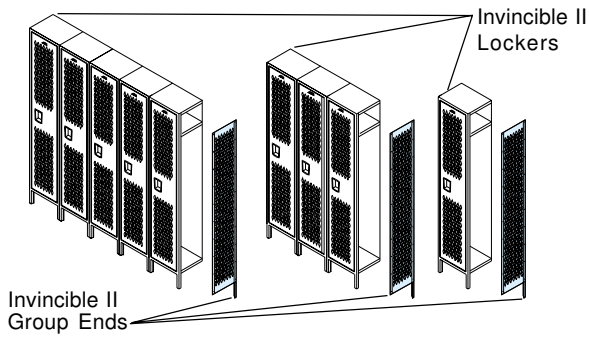


INVINCIBLE II LOCKERS

Invincible II Group End Kits

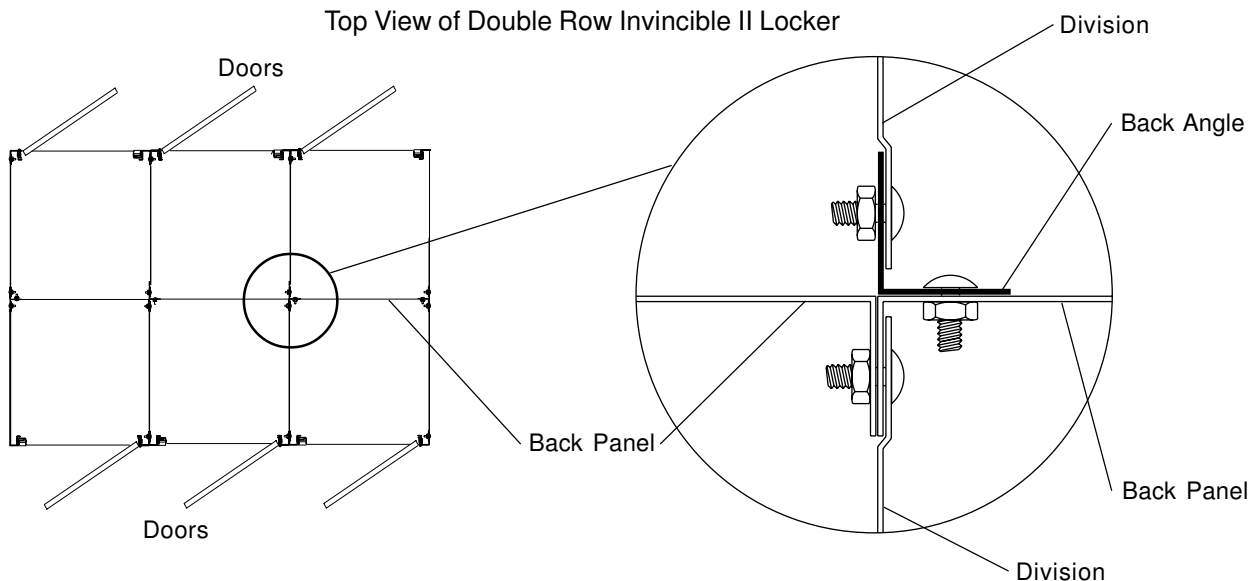


Invincible II lockers do not automatically come with group ends, they must be ordered separately. If you are short group ends, check with the person who ordered the lockers.

NOTE: solid divisions (group ends) are sometimes ordered to end rows of lockers that have perforated divisions everywhere else. Refer to drawings provided by the person who ordered the lockers for all layout details.

Double Row Invincible II Lockers

Invincible II lockers do not use a double row division. Two single row divisions are joined together with a back angle and use a common back. This back angle is bolted to the back and then bolted to the division of the second row of lockers. Add these steps to **Operation 1 and 3** of the **Assembly of Double Row (Back to Back) Lockers** on page 8.



PENCO PRODUCTS, INC.
99 Brower Ave., PO Box 378,
Oaks, PA 19456-0378
800-562-1000 • Fax 610-666-7561
www.pencoproducts.com

Updated 10/12/00

instruct/locker/lock15a.p65 and Lock16b.p65