

# Rivet Shelving Assembly

You have purchased rugged RivetRite Shelving - *congratulations!*



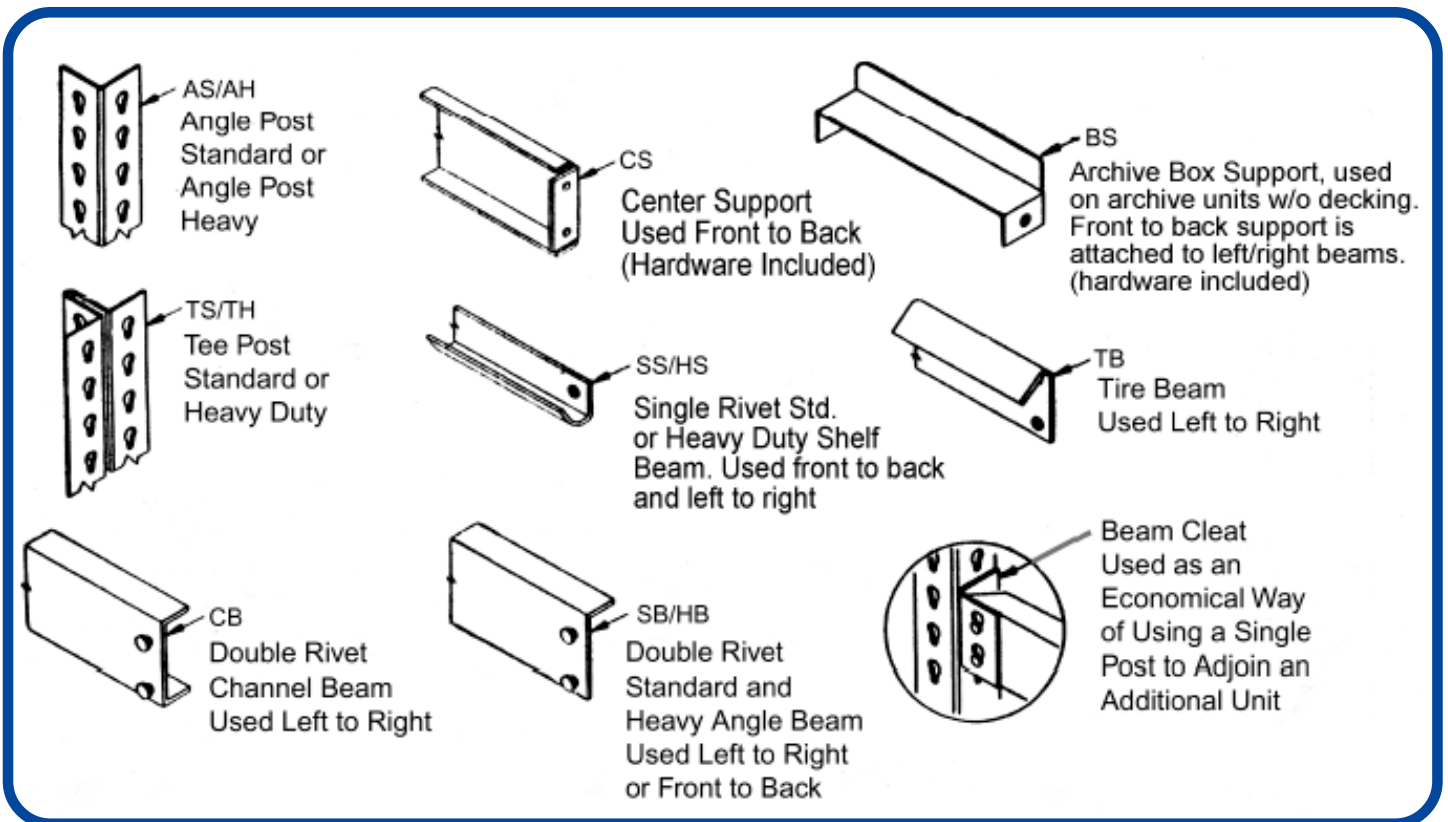
Thank you for purchasing rivet shelving from Cisco-Eagle. You'll find it to be ultra-tough, long-lasting industrial strength shelving. It will give you many years of maintenance-free service. If you have any questions regarding assembly, feel free to contact us by telephone or through our website at [www.cisco-eagle.com](http://www.cisco-eagle.com).

## Unpacking & Components

- Check the number of packages (parts) received against the Bill of Lading. If any shortages exist, secure a "Shortage Notation" from the carrier and file a claim.
- Check material for damage. If any is damaged, secure a "Damaged Notation" from the carrier and file a claim against carrier. See our freight damage policies at [www.cisco-eagle.com](http://www.cisco-eagle.com) for more information on how to handle damaged shipments.
- Check material received against your "Copy or Order".
- When unpacking, arrange like parts together and as close as possible to working area in which they are to be assembled.
- Assembly tools required are a rubber mallet and a screwdriver when using center supports.
- Familiarize yourself with all component parts. See drawings below for reference.
- Save this document for future reference.



### Rivet Shelving Components:



# Assembly Instructions

**Important: When inserting beams into slots on post, beams must be seated into bottom of slots with a rubber mallet.**

(1) Start by putting side frame assemblies together by inserting front to back with the 2 rivet beams (part numbers that start with SB/HB) into post.

(2) Once both side frame assemblies are made, take one side frame assembly and insert one left to right angle beam (SB/HB) into the bottom of front post and one left to right beam into the bottom of the rear post. This will make the frame stand up by itself. Now insert the opposite end of the same left to right beams (SB/HB) into the other frame assembly.

(3) With the unit standing, insert additional shelves required to complete unit.

***Note about single rivet shelving and intermediate front to back beams:** For single rivet shelving, you will receive two (2) front to back single rivet beams on all units 24" or less depth. The beams provide structural rigidity, not to support shelves (you won't need a set for every shelf level). Place those beams in the middle shelf of your unit, one on each side. For units more than 24" deep, you will receive front to back supports per intermediate shelf level.*

(4) Assemble center supports (if required) to angle beams and/or channel beams using (4) 10-24 x 5/8 bolts and wing nuts per support. (Note: If you ordered the particleboard shelves, it might be easier to install those as you install the beams especially if your shelves are close together)

(5) Assemble archives box supports (if required) to beams using two plastic buttons per support.

(6) Assemble foot plate (if required) to post using one or two (as required) tek screws. Anchor to floor (anchors are not supplied by Cisco-Eagle).

(7) Attach tie plates (if required) by inserting rivets in post and tap down to seat.

(8) Assemble row spacers and top ties (if required) by inserting rivets into the face of the posts opposite each other and tap to seat.

(9) Assemble wall ties (as required) into the face of the post and anchor the opposite end to the wall.

(10) Assemble post splice to bottom and top angle post using 8 bolts and 8 nuts. When using T post use two post splices and attach to bottom and top post using 12 bolts and 12 nuts. Note: Beams cannot be placed in the level occupied by the splice.



Double rivet starter & adder

## Starter & Adder Units

- Starter units are complete and freestanding. They include 4 angle posts, a top and bottom double rivet beam (and the correct number of intermediate single or double rivet beams) and can stand on their own.

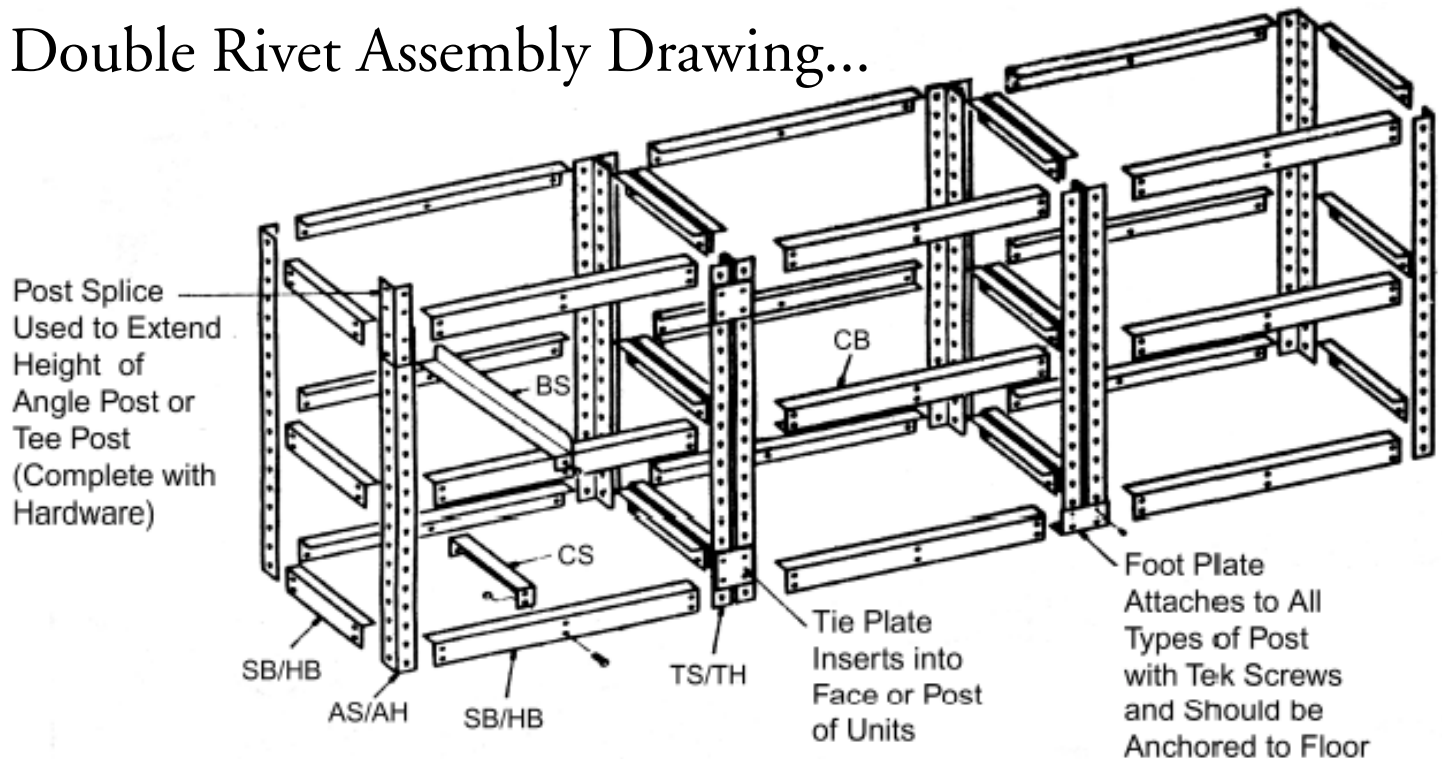
- Adder units have two tee posts, a top and bottom double rivet beam (and the correct number of intermediate single or double rivet beams). They cannot stand on their own. You save money by ordering starters plus adders for a row of shelving in comparison to just starter units.



Single rivet starter & adder

# Rivet Shelving Assembly Drawings

## Double Rivet Assembly Drawing...



## Single Rivet Assembly Drawing...

