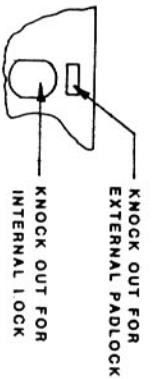
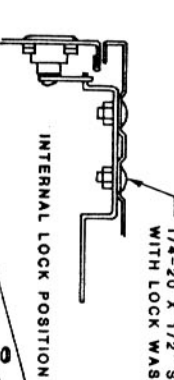


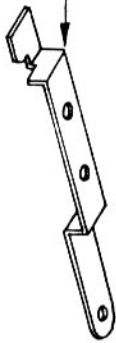
KNOCK OUT FOR LOCK
(front of drawer)



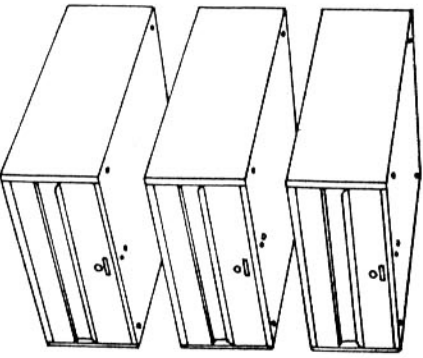
TO FACILITATE INSTALLATION OF DRAWER CASE TO TOP, BASE OR STACKING, REMOVE DRAWER FROM CASE BY PULLING OUT AGAINST STOPS AND RAISE AT FRONT TO REMOVE. TO REPLACE REVERSE PROCEDURE.



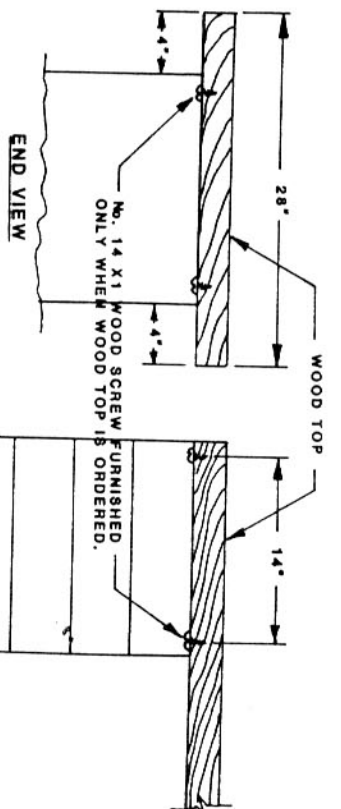
LOCK BRACKET INSTALLATION
LOCKS FURNISHED ONLY WHEN ORDERED



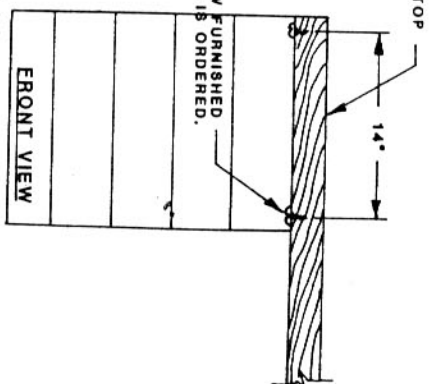
1. ATTACH LOCK BRACKET TO DRAWER CASE IN EXTERNAL OR INTERNAL LOCK POSITION AS REQUIRED.
2. PUNCH OUT PROPER KNOCK OUT AS REQUIRED. PLACE PUNCH ON OUTSIDE OF DRAWER FRONT & PUNCH INWARD.



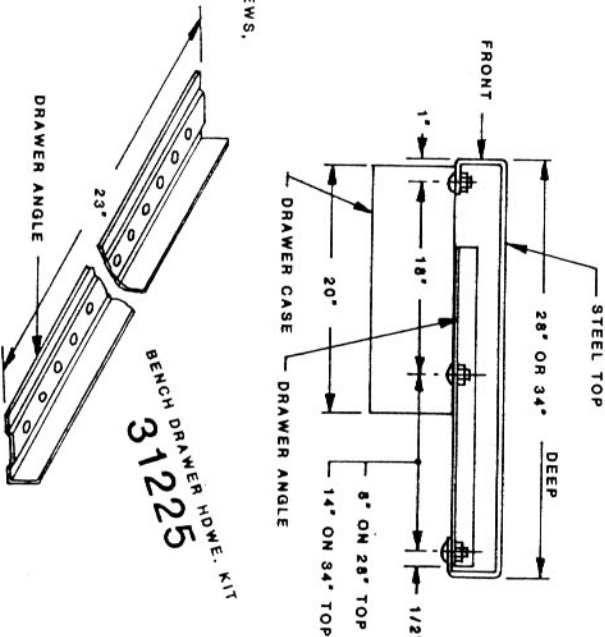
DRAWERS MAY BE STACKED:
BY BOLTING DRAWERS TOGETHER
WITH 1/4-20 X 1/2" SLOTTED HEAD SCREWS,
LOCK WASHERS AND NUTS (4) PER UNIT.



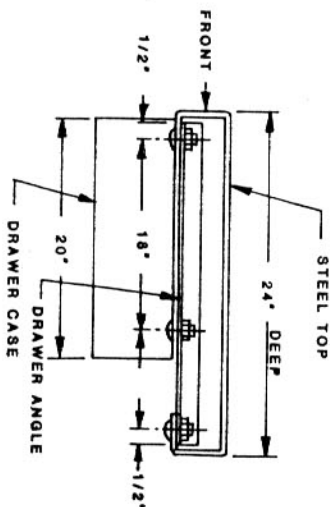
WOOD TOP PEDESTAL FLUSH MOUNTED



TO MOUNT PEDESTALS TO WOOD OR COMPOSITION TOP, PLACE TOP WITH FACE DOWN, LAY PEDESTAL IN DESIRED LOCATION WITH ITS TOP DOWN AND MARK MOUNTING HOLE LOCATIONS ONTO TOP, DRILL 5/32 DIA. MOUNTING HOLES AND FASTEN WITH WOOD SCREWS.



BENCH DRAWER HDWE. KIT
31225



**ASSEMBLY INSTRUCTIONS
FOR BENCH TYPE DRAWERS**



SUBSIDIARY OF VESPER CORPORATION
PENCO PRODUCTS INC., OAKS, PA.