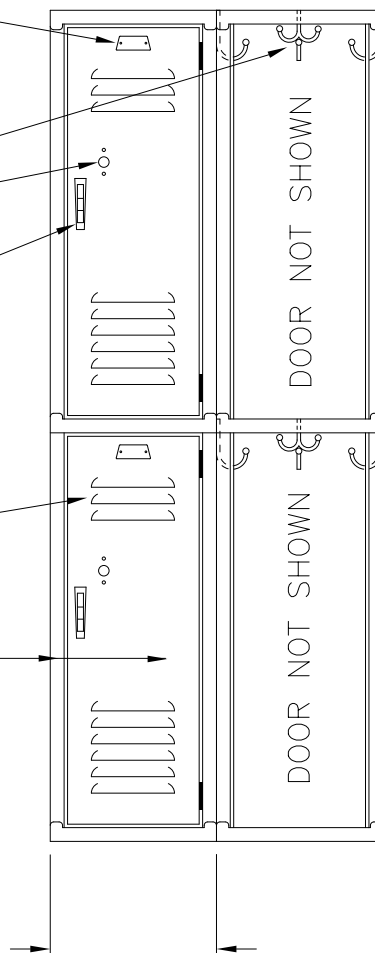


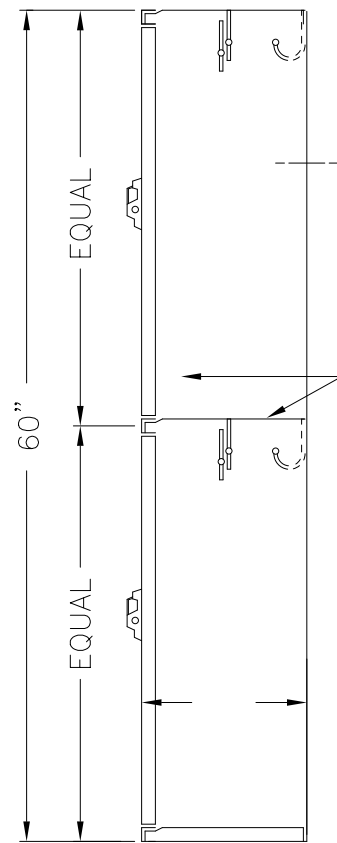
ALUMINUM NO. PLATE
 ONE DBL. PRONG CEILING
 HOOK & THREE SGL. PRONG
 WALL HOOKS EA. OPENING
 LOCK HOLE COVER PL.
 CHROME PLATED HANDLE
 W/ PADLOCK EYE

THREE LOUVERS @ TOP
 & SIX @ BOTTOM EA. DOOR

16GA. DOOR & FRAME



ELEVATION



24GA. BODY &
 TIER HEADS

SECTION @ WALL

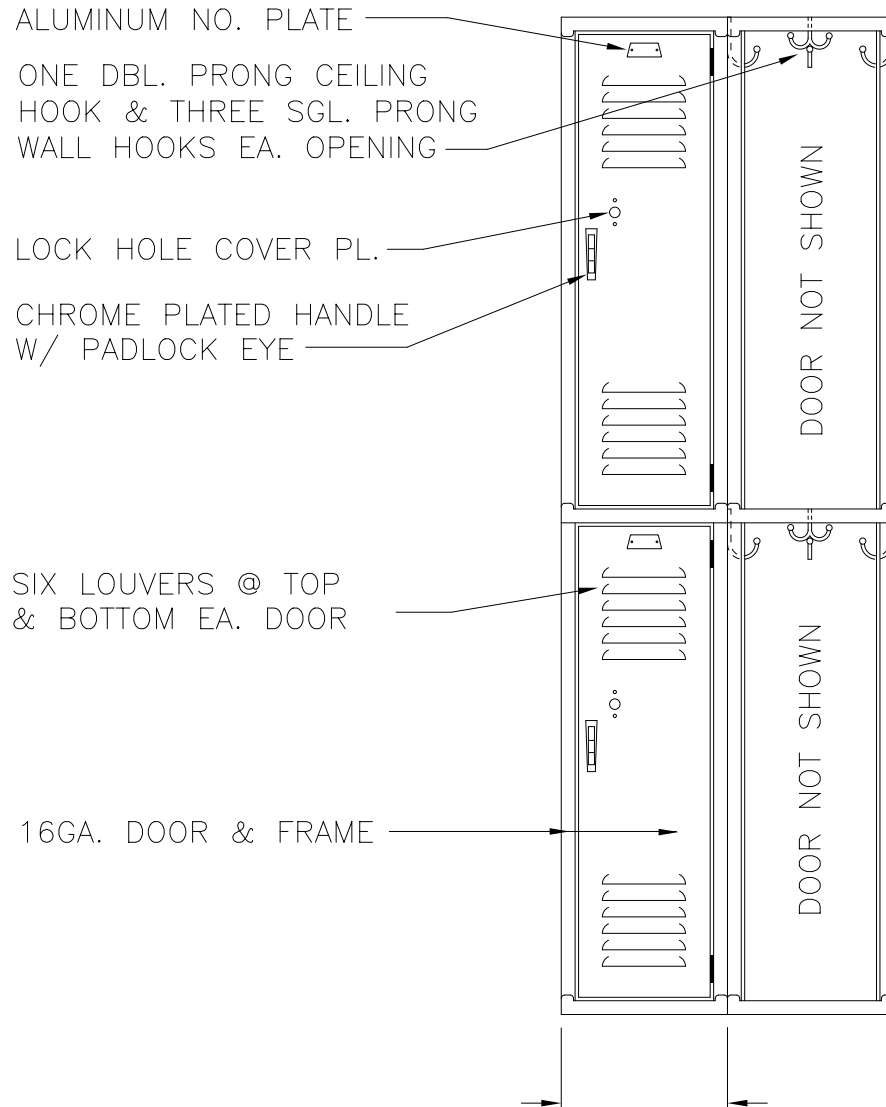
60" HIGH DOUBLE TIER VANGUARD KNOCKDOWN LOCKER

TYPICAL FOR 9" & 12" WIDE, ALLOW 1/16" CREEPAGE PER FRAME
 TYPICAL FOR 12", 15", 18", & 21" DEEP

This drawing shows a standard Penco Product. Any modifications to the product must be approved by Penco Engineering. 8/6/2001



121260V2T.dwg



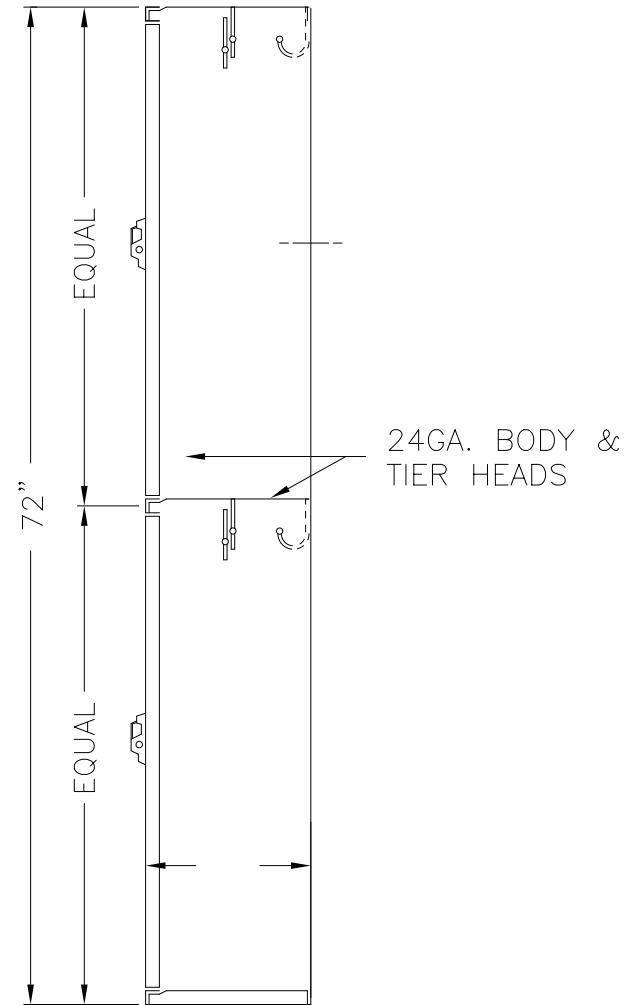
ALUMINUM NO. PLATE
 ONE DBL. PRONG CEILING
 HOOK & THREE SGL. PRONG
 WALL HOOKS EA. OPENING

LOCK HOLE COVER PL.

CHROME PLATED HANDLE
 W/ PADLOCK EYE

SIX LOUVERS @ TOP
 & BOTTOM EA. DOOR

16GA. DOOR & FRAME



24GA. BODY &
 TIER HEADS

ELEVATION SECTION @ WALL
 72" HIGH DOUBLE TIER VANGUARD KNOCKDOWN LOCKER
 TYPICAL FOR 9" & 12" WIDE, ALLOW 1/16" CREEPAGE PER FRAME
 TYPICAL FOR 12", 15", 18", 21" & 24" DEEP

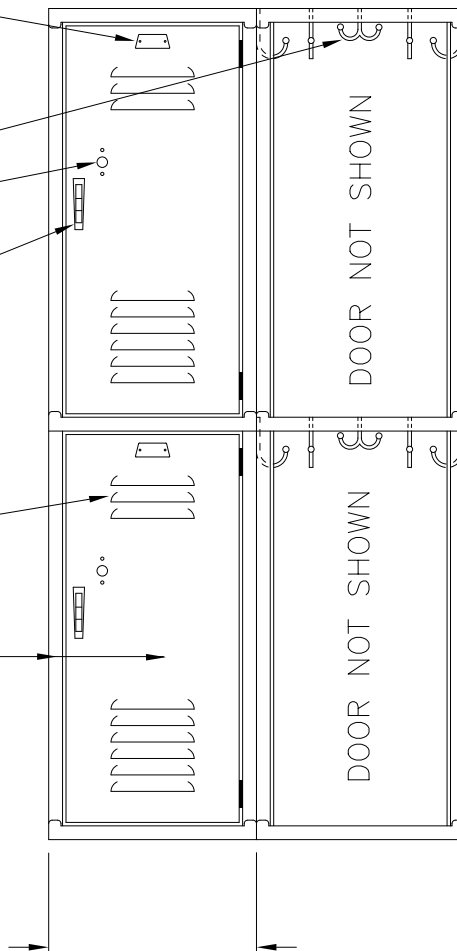
This drawing shows a standard Penco Product. Any modifications to the product must be approved by Penco Engineering. 8/6/2001



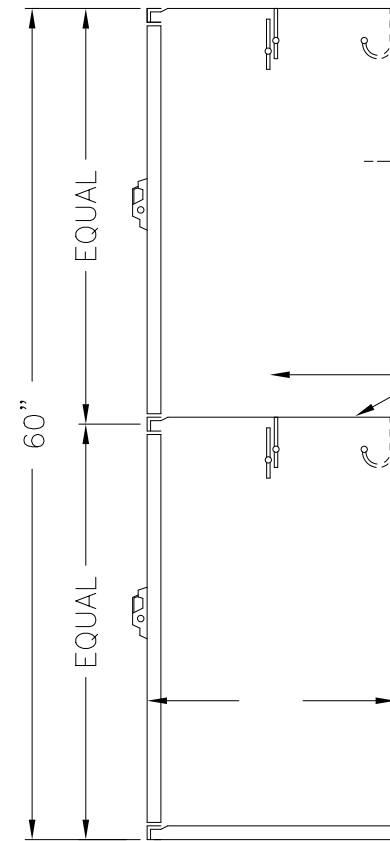
ALUMINUM NO. PLATE
 ONE DBL. PRONG CEILING
 HOOK & FOUR SGL. PRONG
 WALL HOOKS EA. OPENING
 LOCK HOLE COVER PL.
 CHROME PLATED HANDLE
 W/ PADLOCK EYE

THREE LOUVERS @ TOP
 & SIX @ BOTTOM EA. DOOR

16GA. DOOR & FRAME



ELEVATION



24GA. BODY &
 TIER HEADS

SECTION @ WALL

DOUBLE TIER VANGUARD KNOCKDOWN LOCKER
TYPICAL FOR 15" & 18" WIDE, ALLOW 1/16" CREEPAGE PER FRAME
TYPICAL FOR 12", 15", 18", 21", & 24" DEEP

This drawing shows a standard Penco Product. Any modifications to the product must be approved by Penco Engineering. 8/6/2001



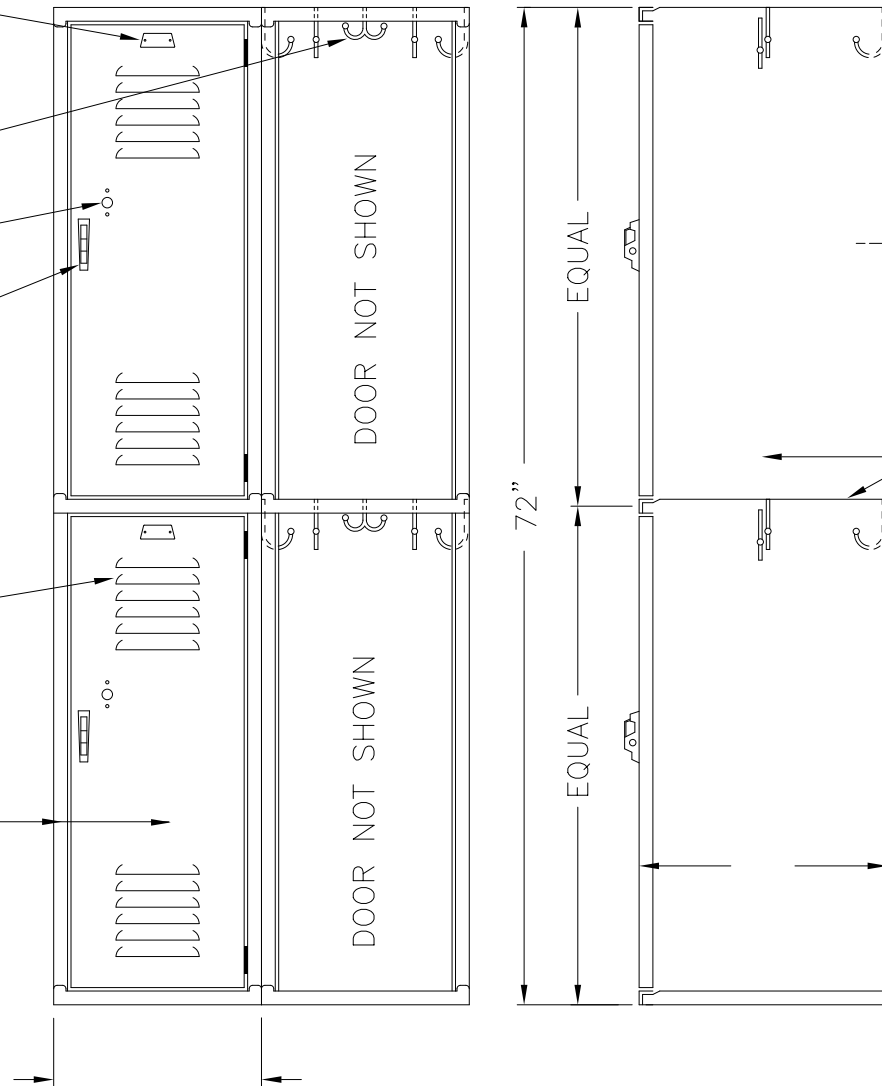
ALUMINUM NO. PLATE
 ONE DBL. PRONG CEILING
 HOOK & FOUR SGL. PRONG
 WALL HOOKS EA. OPENING

LOCK HOLE COVER PL.

CHROME PLATED HANDLE
 W/ PADLOCK EYE

SIX LOUVERS @ TOP
 & BOTTOM EA. DOOR

16GA. DOOR & FRAME



24GA. BODY &
 TIER HEADS

ELEVATION

SECTION @ WALL

72" HIGH DOUBLE TIER VANGUARD KNOCKDOWN LOCKER

TYPICAL FOR 15" & 18" WIDE, ALLOW 1/16" CREEPAGE PER FRAME
 TYPICAL FOR 12", 15", 18", 21", & 24" DEEP

This drawing shows a standard Penco Product. Any modifications to the product must be approved by Penco Engineering. 8/6/2001

