

ALUMINUM NO. PLATE

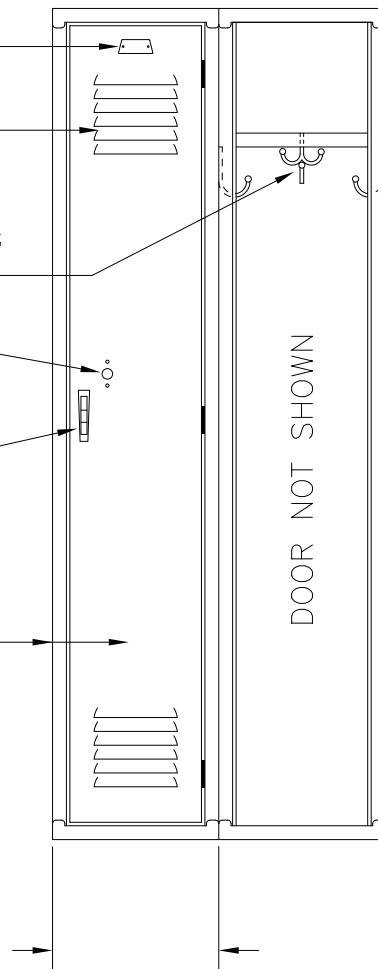
SIX LOUVERS @ TOP
& BOTTOM EA. DOOR

ONE DBL. PRONG CEILING
HOOK & THREE SGL. PRONG
WALL HOOKS EA. OPG.

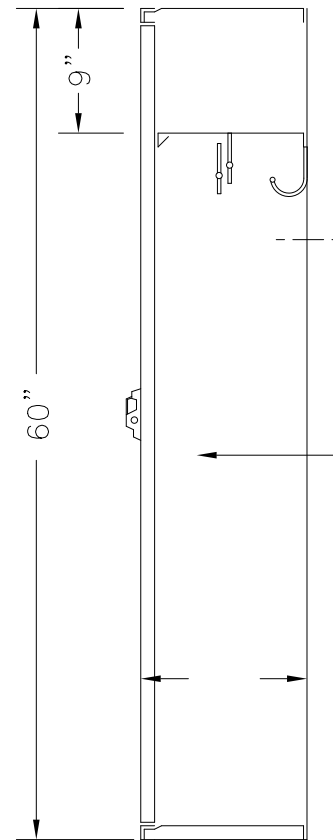
LOCK HOLE COVER PLATE

CHROME PLATED HANDLE
WITH PADLOCK EYE

16GA. DOOR & FRAME



ELEVATION



24GA. BODY &
TIER HEADS

SECTION @ WALL

60" HIGH SINGLE TIER VANGUARD KNOCKDOWN LOCKER

TYPICAL FOR 9" & 12" WIDE, ALLOW 1/16" CREEPAGE PER FRAME
TYPICAL FOR 12" & 15" DEEP

This drawing shows a standard Penco Product. Any modifications to the product must be approved by Penco Engineering. 8/6/2001



121260V.dwg

ALUMINUM NO. PLATE

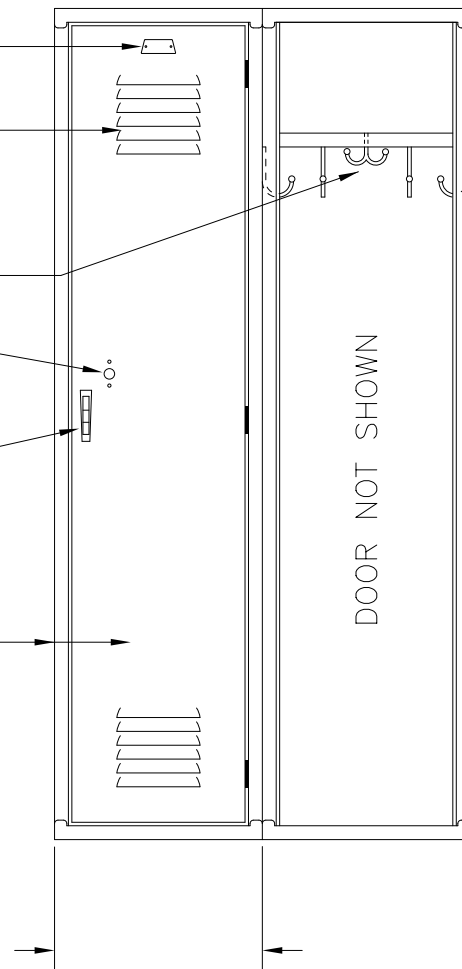
SIX LOUVERS @ TOP
& BOTTOM EA. DOOR

ONE DBL. PRONG CEILING
HOOK & FOUR SGL. PRONG
WALL HOOKS EA. OPG.

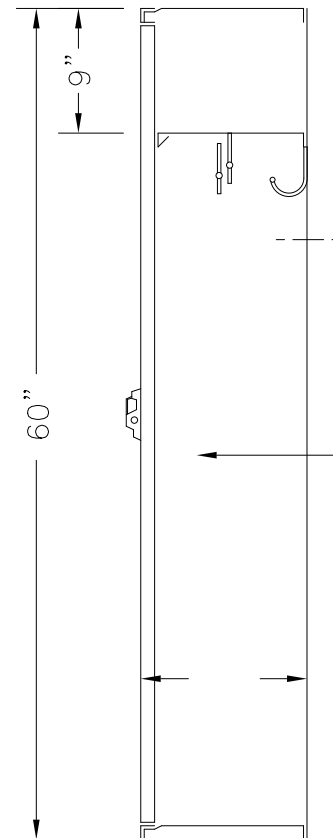
LOCK HOLE COVER PLATE

CHROME PLATED HANDLE
WITH PADLOCK EYE

16GA. DOOR & FRAME
18" RECEIVES DOOR REINFORCING PAN



ELEVATION



24GA. BODY &
TIER HEADS

SECTION @ WALL

60" HIGH SINGLE TIER VANGUARD KNOCKDOWN LOCKER
TYPICAL FOR 15" & 18" WIDE, ALLOW 1/16" CREEPAGE PER FRAME
TYPICAL FOR 12" & 15" DEEP

This drawing shows a standard Penco Product. Any modifications to the product must be approved by Penco Engineering. 8/6/2001



151260V.dwg

ALUMINUM NO. PLATE

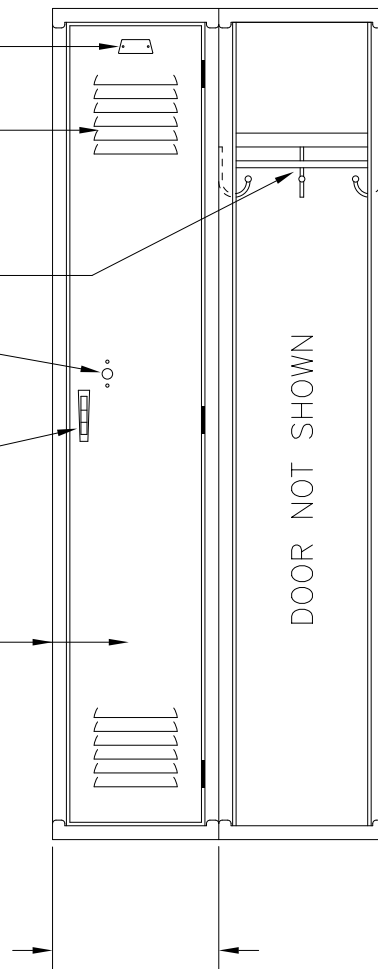
SIX LOUVERS @ TOP
& BOTTOM EA. DOOR

ONE COAT ROD &
THREE SGL. PRONG
WALL HOOKS EA. OPG.

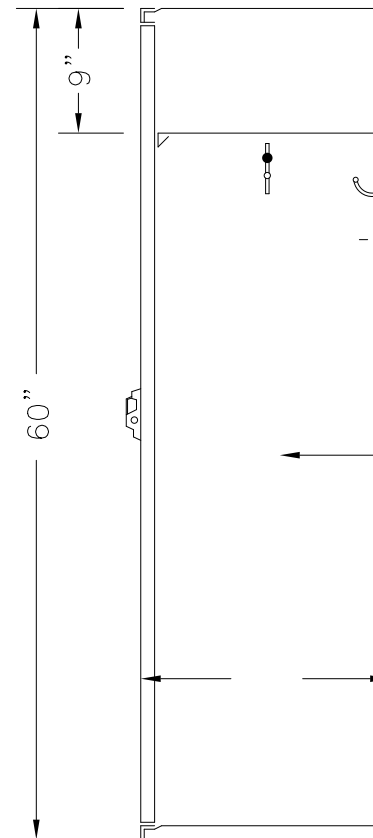
LOCK HOLE COVER PLATE

CHROME PLATED HANDLE
WITH PADLOCK EYE

16GA. DOOR & FRAME



ELEVATION



24GA. BODY &
TIER HEADS

SECTION @ WALL

60" HIGH SINGLE TIER VANGUARD KNOCKDOWN LOCKER

TYPICAL FOR 9" & 12" WIDE, ALLOW 1/16" CREEPAGE PER FRAME

TYPICAL FOR 18", 21", & 24" DEEP

This drawing shows a standard Penco Product. Any modifications to the product must be approved by Penco Engineering. 8/6/2001



ALUMINUM NO. PLATE

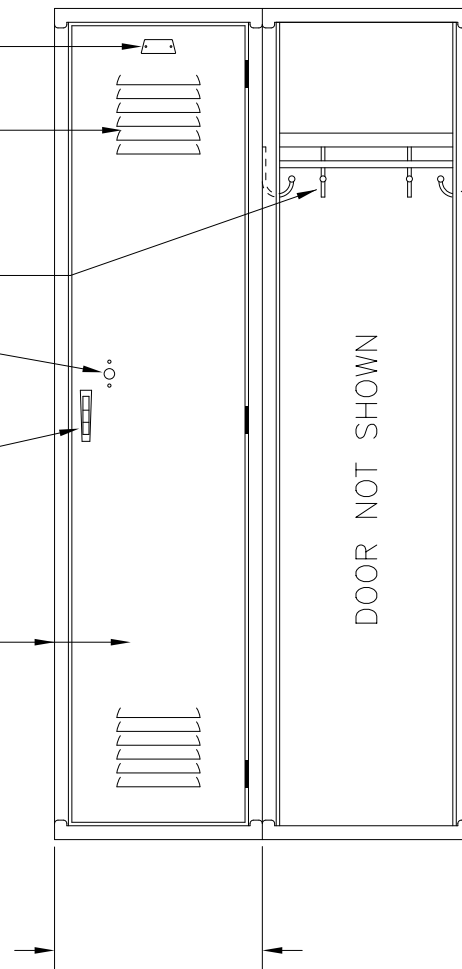
SIX LOUVERS @ TOP
& BOTTOM EA. DOOR

ONE COAT ROD &
FOUR SGL. PRONG
WALL HOOKS EA. OPG.

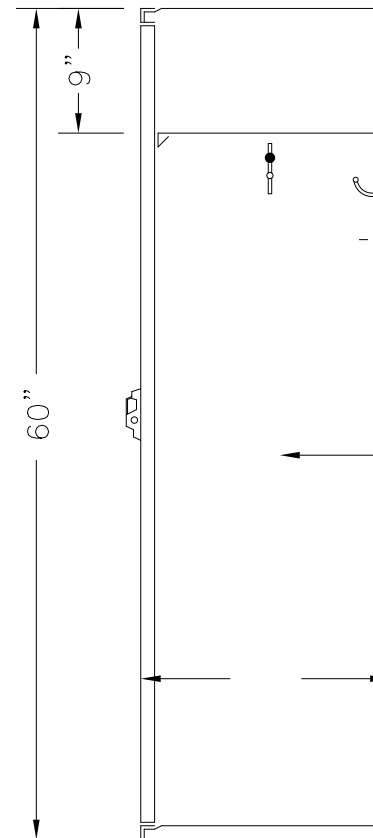
LOCK HOLE COVER PLATE

CHROME PLATED HANDLE
WITH PADLOCK EYE

16GA. DOOR & FRAME
18" RECEIVES DOOR REINFORCING PAN



ELEVATION



SECTION @ WALL

24GA. BODY &
TIER HEADS

60" HIGH SINGLE TIER VANGUARD KNOCKDOWN LOCKER
 TYPICAL FOR 15" & 18" WIDE, ALLOW 1/16" CREEPAGE PER FRAME
 TYPICAL FOR 18", 21", & 24" DEEP

This drawing shows a standard Penco Product. Any modifications to the product must be approved by Penco Engineering. 8/6/2001



ALUMINUM NO. PLATE

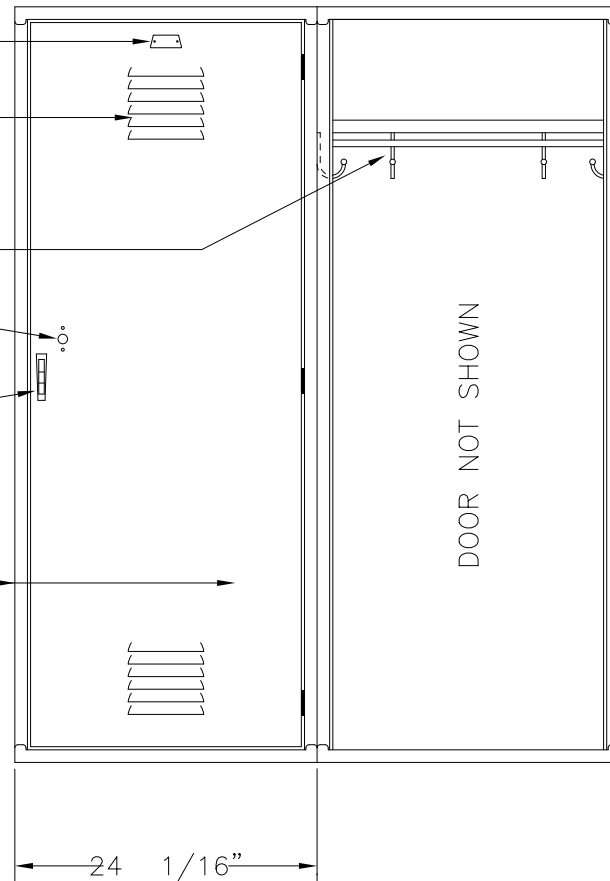
SIX LOUVERS @ TOP
& BOTTOM EA. DOOR

ONE COAT ROD & FOUR
SGL. PRONG WALL HOOKS
EA. OPG.

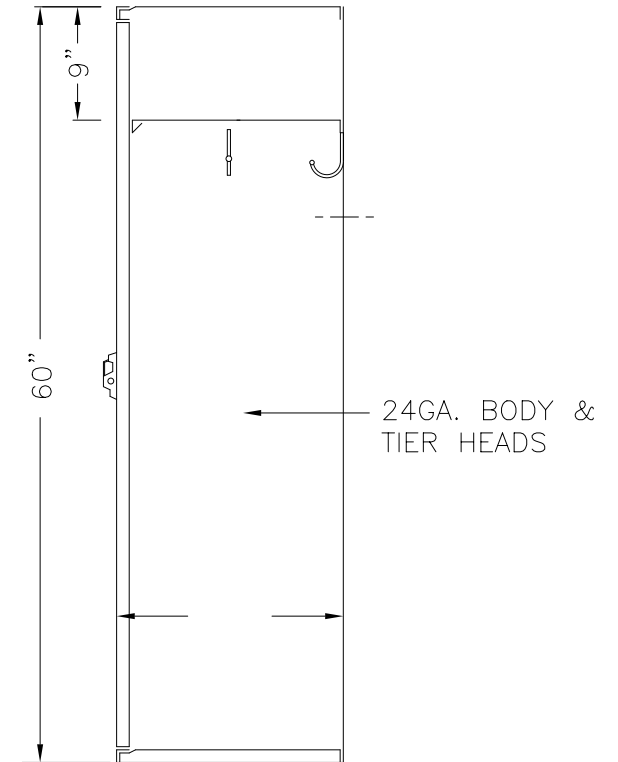
LOCK HOLE COVER PLATE

CHROME PLATED HANDLE
WITH PADLOCK EYE

16GA. DOOR & FRAME
DOOR RECEIVES REINFORCING PAN



ELEVATION



SECTION @ WALL

60" HIGH SINGLE TIER SINGLE DOOR VANGUARD KNOCKDOWN LOCKER

This drawing shows a standard Penco Product. Any modifications to the product must be approved by Penco Engineering. 8/6/2001

24" WIDE, ALLOW 1/16" CREEPAGE PER FRAME
TYPICAL FOR 18", 21", & 24" DEEP



241860VSD.dwg

ALUMINUM NO. PLATE

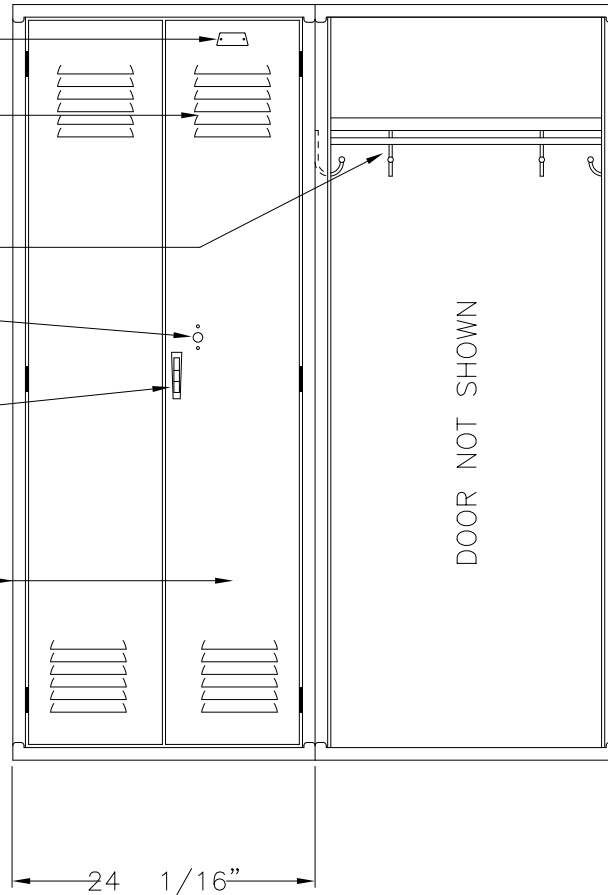
SIX LOUVERS @ TOP
& BOTTOM EA. DOOR

ONE COAT ROD & FOUR
SGL. PRONG WALL HOOKS
EA. OPG.

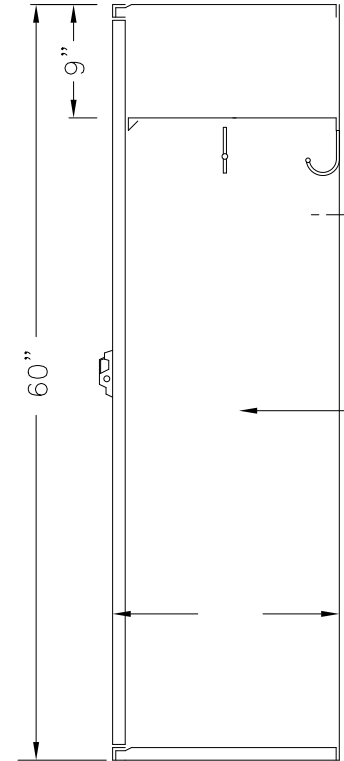
LOCK HOLE COVER PLATE

CHROME PLATED HANDLE
WITH PADLOCK EYE

16GA. DOORS & FRAME



ELEVATION



24GA. BODY &
TIER HEADS

SECTION @ WALL

60" HIGH SINGLE TIER DOUBLE DOOR VANGUARD KNOCKDOWN LOCKER

This drawing shows a standard Penco Product. Any modifications to the product must be approved by Penco Engineering. 8/6/2001

24" WIDE, ALLOW 1/16" CREEPAGE PER FRAME
TYPICAL FOR 18", 21", & 24" DEEP



241860VDD.dwg