

ONE DBL. PRONG CEILING  
HOOK & THREE SGL. PRONG  
WALL HOOKS EA. OPG.

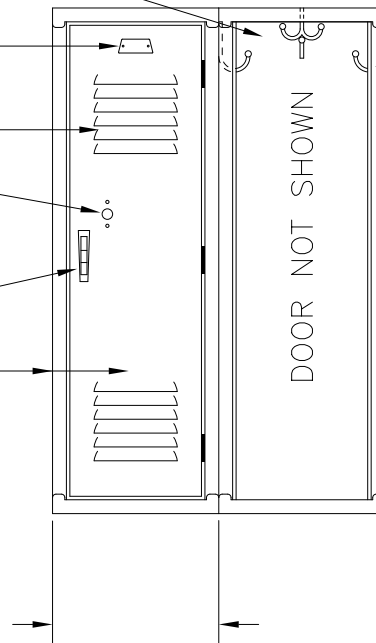
ALUMINUM NO. PLATE

SIX LOUVERS @ TOP  
& BOTTOM EA. DOOR

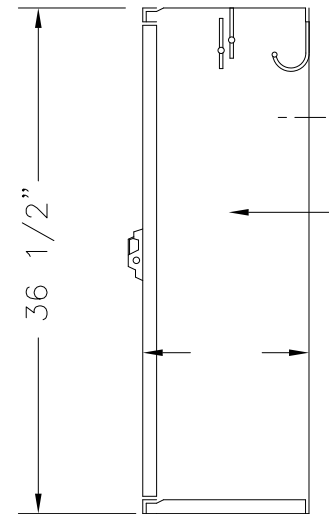
LOCK HOLE COVER PLATE

CHROME PLATED HANDLE  
WITH PADLOCK EYE

16GA. DOOR & FRAME



ELEVATION



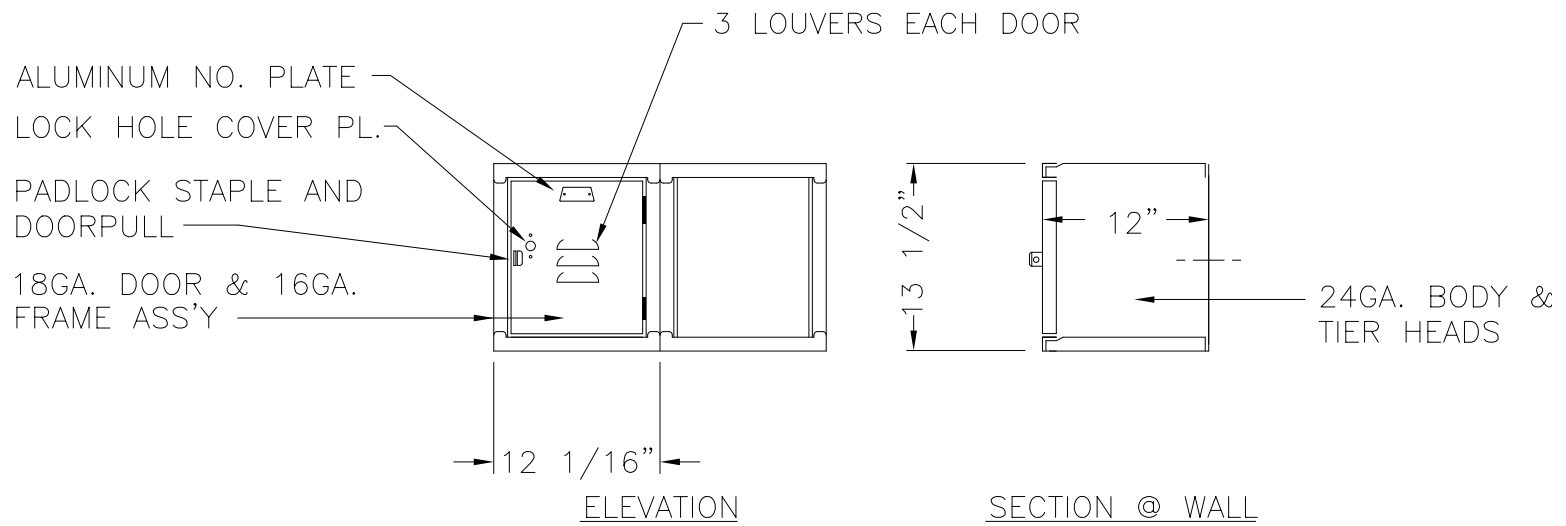
SECTION @ WALL

24GA. BODY &  
TIER HEADS

36 1/2" HIGH SINGLE TIER VANGUARD KNOCKDOWN LOCKER

TYPICAL FOR 9" & 12" WIDE, ALLOW 1/16" CREEPAGE PER FRAME

TYPICAL FOR 12", 15", & 18" DEEP



12" HIGH SINGLE TIER VANGUARD KNOCKDOWN LOCKER

TYPICAL FOR 12" WIDE, ALLOW 1/16" CREEPAGE PER FRAME  
 TYPICAL FOR 12", 15", & 18" DEEP

This drawing shows a standard Penco Product. Any modifications to the product must be approved by Penco Engineering. 8/6/2001

